

MICRO SWITCH

FREEMONT ILLINOIS, U.S.A.
A DIVISION OF HONEYWELL
FED. MFG. CODE 91929

SWITCH-ACTUATOR

CATALOG LISTING

JM-25

5

JM-25

M

DRAWING NUMBER

ISSUE
X 6
X 5
X 4

REVISIONS

A	PR-6001	R J W	6 JUL 77
B	CO47771	C J H	17 MAY 80
C	CO74852	J D B	25 MAY 93
D	CO79303		
	DLT	MAR 95	
E	0015428		
	SPK		
	14SEP05		

REPLACES

RELEASE NO. PR-6001

14SEP05

RJ

CHECK

27 JUN 77

CG

CHECK

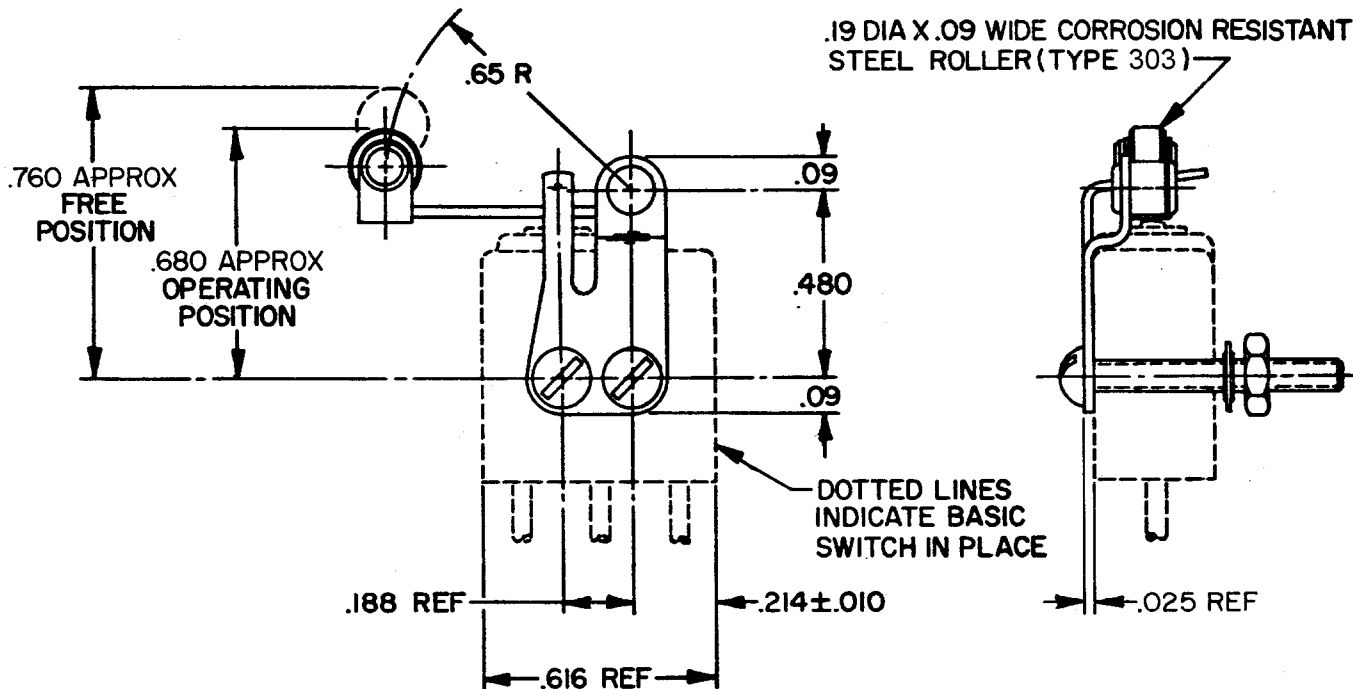
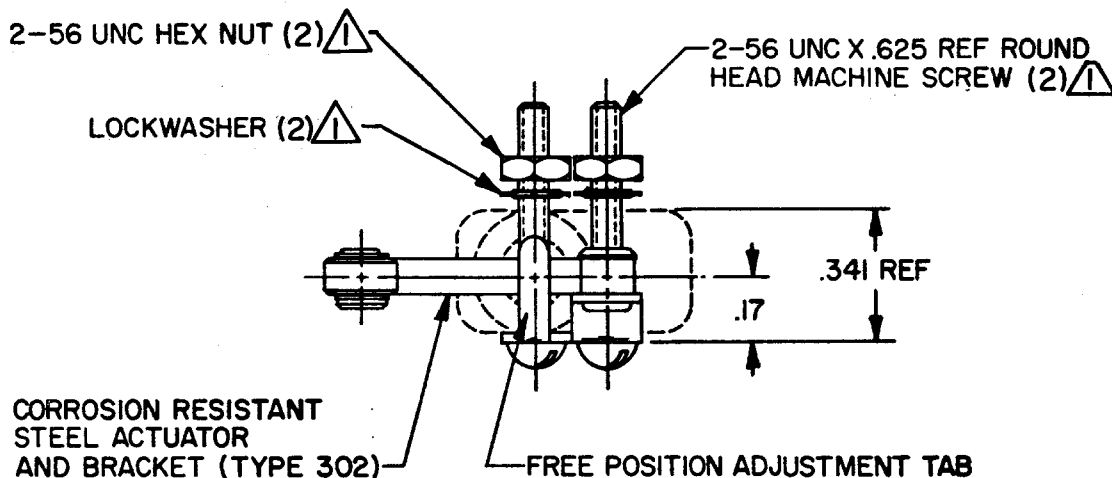
27 JUN 77

DAW

CHECK

24 JUN 77

FO-52848-A

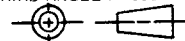


NOTE -

- ① FURNISHED UNASSEMBLED
- ② CHARACTERISTICS TAKEN WITH IXE401-6 BASIC SWITCH INSTALLED

THIS DRAWING COVERS A PROPRIETARY ITEM AND IS THE PROPERTY OF MICRO SWITCH, A DIVISION OF HONEYWELL. THIS DRAWING IS NOT TO BE COPIED OR USED WITHOUT THE APPROVAL OF MICRO SWITCH.

THIRD ANGLE PROJECTION



CHARACTERISTICS	
OPERATING FORCE	5.5 OZ MAX
RELEASE FORCE	4 GRAMS MIN
DIFFERENTIAL TRAVEL	.030 MAX
OVERTRAVEL	.020 MIN

ELECTRICAL DATA
CONTACT ARRANGEMENT

SCALE	2 TO 1
DO NOT SCALE PRINT	

TOLERANCES			
APPLY TO DESIGN UNITS. CONVERSIONS ARE ONLY FOR REFERENCE. UNLESS NOTED, TOLERANCES ARE ±			
DIM.	TOL.	DIM.	TOL.
mm	mm/in	in	mm/in
NO PLACES	X	1/.04	
ONE PLACE	X,X	0.4/.016	X,X 0.8/.03
TWO PLACES	X,X,X	0.15/.006	X,X,X 0.38/.015
THREE PLACES	X,X,X,X		X,X,X,X 0.15/.005
DESIGN UNITS			
METRIC		US CUSTOMARY	
<input type="checkbox"/>		<input checked="" type="checkbox"/>	

WEIGHT

X-ON Electronics

Largest Supplier of Electrical and Electronic Components

Click to view similar products for [Switch Actuators](#) category:

Click to view products by [Honeywell](#) manufacturer:

Other Similar products are found below :

[LW1B-A0L](#) [LW1B-M0](#) [680-4000-00](#) [704.012.618](#) [704.411.018I](#) [704.412.0](#) [704.633.1](#) [704.730.1](#) [704.733.0](#) [84-1221.7](#) [862.8102](#) [G6083](#)
[9PA24](#) [A0107X](#) [A019307](#) [ADC-418G](#) [12MA7](#) [ASDHYY-B](#) [HW1F-3G](#) [HW1M-L2222](#) [HW4S-31L](#) [200-.704-00](#) [JS-10008](#) [JS-10083](#) [JS-10118](#) [JS-10133](#) [JS-10277](#) [JS-10389](#) [JS-150](#) [JS-552](#) [JS-555](#) [JS-68](#) [JS-6-B](#) [JS-91](#) [JS-94](#) [22-211.011](#) [9001KXSDC](#) [92-458.500](#) [SAPT654133](#)
[2PA3](#) [SW53AA2](#) [302561](#) [LW2L-A0](#) [3E-12.0](#) [468-10243-001](#) [51-030.005](#) [JM-13](#) [JS-10120](#) [JS-138-B](#) [JS-143-B](#)