

**MICRO SWITCH**

FREERPORT ILLINOIS, U.S.A  
A DIVISION OF HONEYWELL

FED. MFG. CODE 91929

**ACTUATOR-SWITCH**

CATALOG LISTING

**JS-150**

JS-150

M

DRAWING NUMBER

X

X

ISSUE

4

REPLACES

RELEASE NO. PR-2722

CHECK

REVISIONS

A

MADE ETS  
RER  
15 MAY 70

B

PR-2722  
RER  
19 JUN 72

C

C079303  
DLT  
7 MAR 95

CHECK

CHECK

CHECK

CHECK

CHECK

CHECK

CHECK

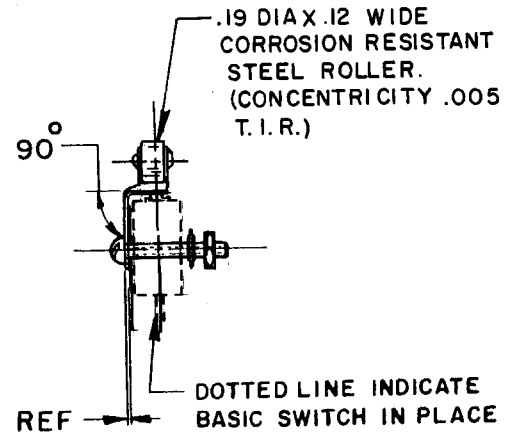
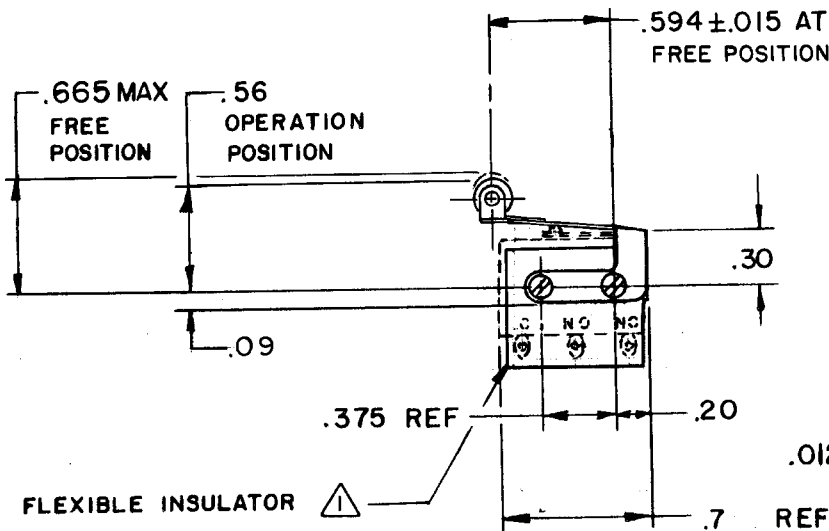
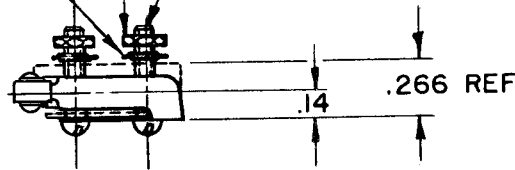
CHECK

CHECK

2-56 UNC CORROSION RESISTANT STEEL  
HEX NUT (2)  $\triangle 1$

CORROSION RESISTANT STEEL  
LOCKWASHER (2)  $\triangle 1$

2-56 UNC X .500 REF CORROSION RESISTANT  
STEEL ROUND HEAD MACHINE SCREW (2)  $\triangle 1$



NOTE -  
 $\triangle 1$  - FURNISHED UNASSEMBLED  
 $\triangle 2$  CHARACTERISTICS WITH IHM19 (MS27216-1)  
BASIC SWITCH INSTALLED

THIS DRAWING COVERS A PROPRIETARY ITEM AND IS THE PROPERTY OF MICRO SWITCH, A DIVISION OF HONEYWELL. THIS DRAWING IS NOT TO BE COPIED OR USED WITHOUT THE APPROVAL OF MICRO SWITCH.

**CHARACTERISTICS**  $\triangle 2$

OPERATING FORCE	---	14 OZ MAX
RELEASE FORCE	---	2 OZ MIN
PRETRAVEL	---	.078 MAX
DIFFERENTIAL TRAVEL	---	.020 MAX
OVERTRAVEL	---	.014 MIN

**ELECTRICAL DATA**

CONTACT ARRANGEMENT

**SCALE FULL**

DO NOT SCALE PRINT

UNLESS OTHERWISE NOTED

DIMENSIONS ARE IN INCHES

**TOLERANCES ARE:**

ONE PLACE	(.0)	±.030
TWO PLACE	(.00)	±.015
THREE PLACE	(.000)	±.005
ANGLES		± 2°

WEIGHT

## X-ON Electronics

Largest Supplier of Electrical and Electronic Components

*Click to view similar products for [Switch Actuators](#) category:*

*Click to view products by [Honeywell](#) manufacturer:*

Other Similar products are found below :

[LW1B-A0L](#) [LW1B-M0](#) [680-4000-00](#) [704.012.618](#) [704.411.018I](#) [704.412.0](#) [704.633.1](#) [704.730.1](#) [704.733.0](#) [84-1221.7](#) [862.8102](#) [G6083](#)  
[9PA24](#) [A0107X](#) [A019307](#) [ADC-418G](#) [12MA7](#) [ASDHYY-B](#) [HW1F-3G](#) [HW1M-L2222](#) [HW4S-31L](#) [200-.704-00](#) [JS-10008](#) [JS-10083](#) [JS-10118](#) [JS-10133](#) [JS-10277](#) [JS-10389](#) [JS-150](#) [JS-552](#) [JS-555](#) [JS-68](#) [JS-6-B](#) [JS-91](#) [JS-94](#) [22-211.011](#) [9001KXSDC](#) [92-458.500](#) [SAPT654133](#)  
[2PA3](#) [SW53AA2](#) [302561](#) [LW2L-A0](#) [3E-12.0](#) [468-10243-001](#) [51-030.005](#) [JM-13](#) [JS-10120](#) [JS-138-B](#) [JS-143-B](#)