

MICRO SWITCH

FREEPORT ILLINOIS, U.S.A.
A DIVISION OF HONEYWELL INC.
FED.MFG.CODE 91929

ACTUATOR-SWITCH

CATALOG LISTING

JS-183

DDM/CAD

DRAWN

S A V 21 AUG 91

CHECK

D A W 22 AUG 91

CHECK

REVISIONS

A	PR-20038	T S M	26 MAY 92
B	CO-79303	J A K	15 FEB 95

ISSUE

5

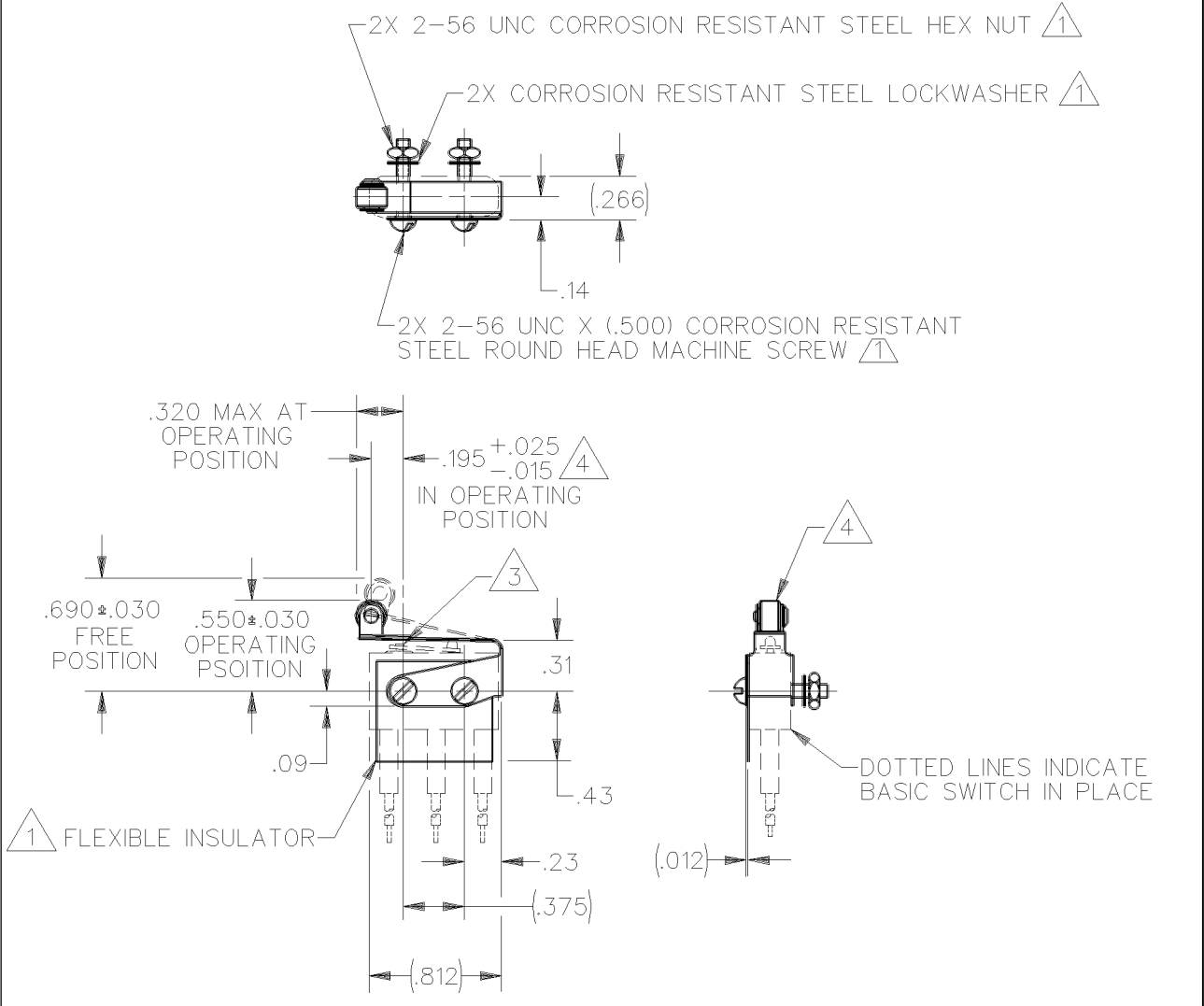
DRAWING NUMBER

M

JS-183

RELEASE NO. PR-20038

REPLACES



- NOTES
- (1) FURNISHED UNASSEMBLED
 - (2) CHARACTERISTICS WITH 6HM1-1 BASIC SWITCH INSTALLED
 - (3) ADJUSTMENT CAUTION: TO PREVENT SWITCH SEAL DAMAGE DO NOT ALLOW ACTUATOR LEAF TO COME IN CONTACT WITH HM LEVER
 - (4) POSITION ADJUSTMENT OF BASIC SWITCH TO LEVER MAY BE REQUIRED TO ACHIEVE STATED TOLERANCE AT OPERATE POSITION

THIS DRAWING COVERS A PROPRIETARY ITEM AND IS THE PROPERTY OF MICRO SWITCH, A DIVISION OF HONEYWELL. THIS DRAWING IS NOT TO BE COPIED OR USED WITHOUT THE APPROVAL OF MICRO SWITCH.		THIRD ANGLE PROJECTION	
CHARACTERISTICS (2)		ELECTRICAL DATA	SCALE FULL DO NOT SCALE PRINT
OPERATING FORCE — — — — 9 OZ MAX		CONTACT ARRANGEMENT	UNLESS OTHERWISE SPECIFIED TOLERANCES ARE
RELEASE FORCE — — — — 2 OZ MIN			ONE PLACE (.0) ±.030
DIFFERENTIAL TRAVEL — — — .030 MAX			TWO PLACE (.00) ±.015
OVERTRAVEL — — — — .030 MIN			THREE PLACE (.000) ±.005
			ANGLES ±
			RAW MATERIAL—COMMERCIAL STANDARD
			WEIGHT

X-ON Electronics

Largest Supplier of Electrical and Electronic Components

Click to view similar products for [Switch Actuators](#) category:

Click to view products by [Honeywell](#) manufacturer:

Other Similar products are found below :

[LW1B-A0L](#) [LW1B-M0](#) [680-4000-00](#) [862.8102](#) [G6083](#) [9PA24](#) [A019307](#) [14-415.036K](#) [ASDHHY-B](#) [HW1F-3G](#) [HW4L-M0](#) [200-.704-00](#)
[JS-10008](#) [JS-10083](#) [JS-10118](#) [JS-10133](#) [JS-10277](#) [JS-10389](#) [JS-150](#) [JS-552](#) [JS-555](#) [JS-68](#) [JS-6-B](#) [JS-91](#) [JS-94](#) [92-458.500](#) [SAPT654133](#)
[SW53AA2](#) [LW2L-A0](#) [3E-12.0](#) [468-10243-001](#) [51-030.002](#) [51-030.005](#) [JM-13](#) [JS-10120](#) [JS-138-B](#) [JS-143-B](#) [JS-551](#) [JS-5-C](#) [KRR12](#)
[LLDPZ00-000](#) [500-102](#) [LS2Z1N](#) [030-2196-006](#) [110164](#) [704.630.1](#) [704.730.0](#) [704.732.0](#) [704.732.1](#) [862.8106](#)