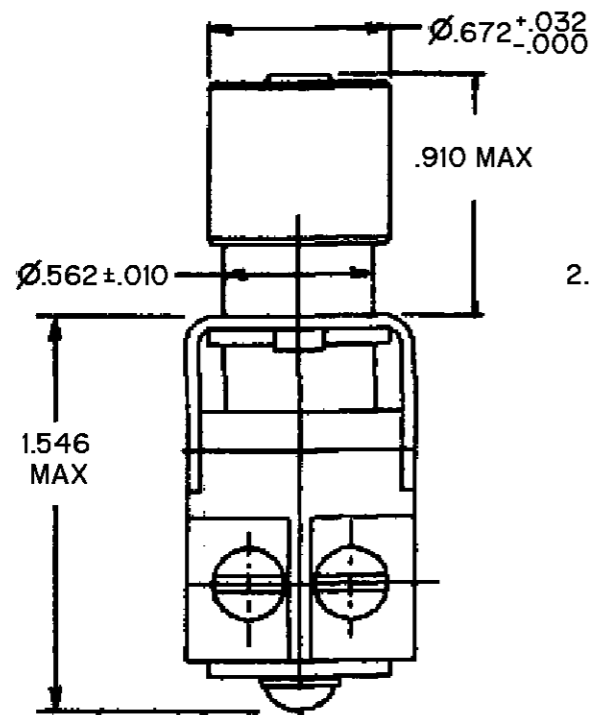
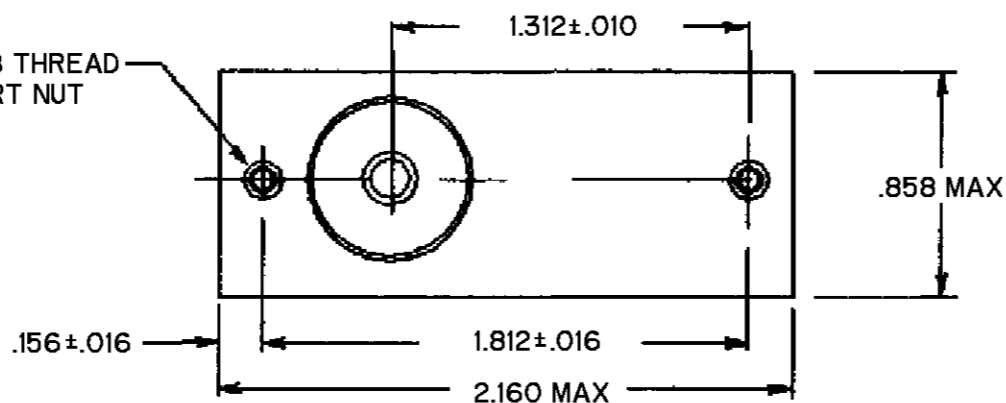
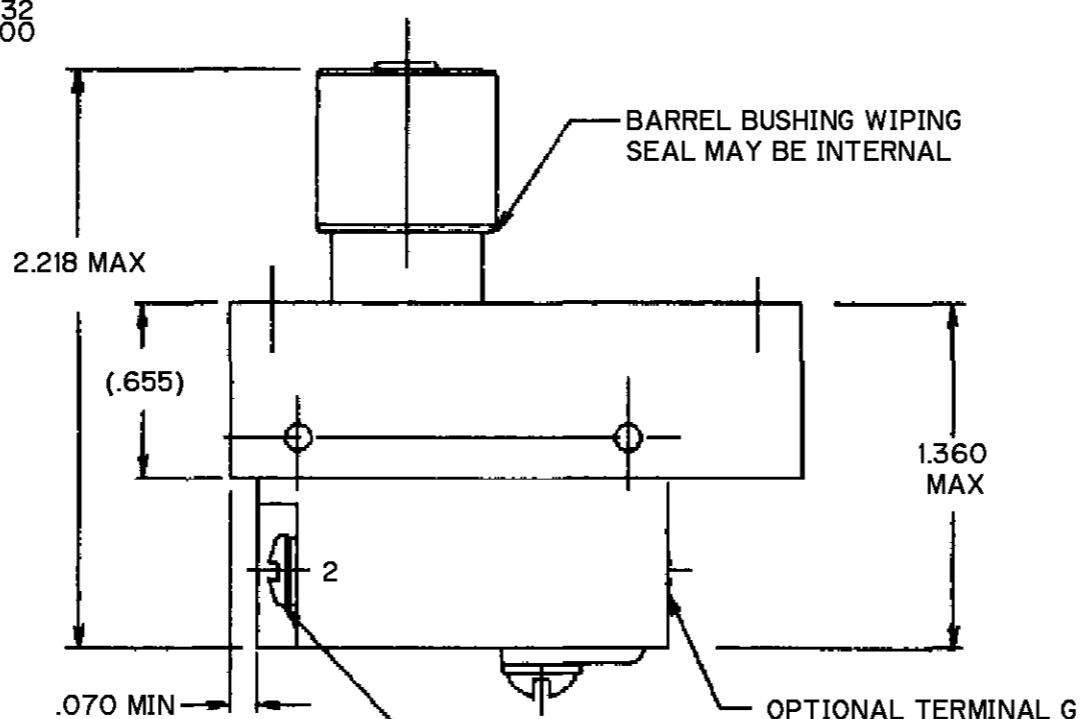


CATALOG LISTING  
**JS-551**  
 PAGE 1 OF 1  
 REPLACES PR-24110  
 ISSUE 3  
 REVISIONS  
 A CO-96028 C S L 17 MAR 00  
 B ECO-0002767 RS 05 JAN 04  
 CHECK 6 OCT 99  
 CHECK SAV 6 OCT 99  
 CHECK JJA 6 OCT 99  
 DRAWN  
 FORMTEK

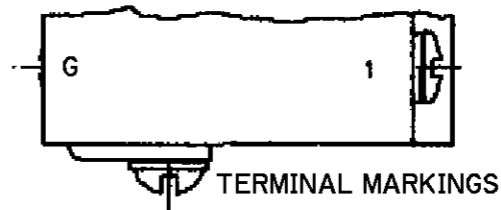
2X  $\varnothing$ .138-40 UNF-2B THREAD  
SELF LOCKING INSERT NUT



TERMINAL G  
 $\varnothing$ .138-32 UNC-2A  
 (\*6-32 UNC-2A) .250  
 LONG ROUND HEAD  
 SCREW MS35338-98  
 LOCKWASHER OR  
 EQUIVALENT



3X  $\varnothing$ .125-40 UNC-2A  
 (\*5-40 UNC-2A) .250  
 LONG BINDING HEAD  
 SCREW (1 ADDITIONAL  
 G TERMINAL OPTIONAL)

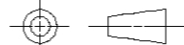


**NOTES**

- 1 - SWITCH SEALED PER MIL-PRF-8805, SYMBOL 1
- 2 - TERMINAL HARDWARE PACKET FURNISHED UNASSEMBLED:  
15PA308-JS INCLUDES BUSS BRACKET AND TERMINAL SCREWS
- 3 - MICRO SWITCH, MANUFACTURER'S CAGE CODE, CATALOG LISTING,  
MILITARY PART NUMBER AND DATE CODE IDENTIFIED ON SIDE OF SWITCH
- 4 - OPERATING TEMPERATURE RANGE: -40°C TO +85°C

THIS DRAWING COVERS A PROPRIETARY ITEM AND IS THE PROPERTY OF MICRO SWITCH, A DIVISION OF HONEYWELL. THIS DRAWING IS NOT TO BE COPIED OR USED WITHOUT THE APPROVAL OF MICRO SWITCH

THIRD ANGLE PROJECTION



SCALE NONE

DO NOT SCALE PRINT

UNLESS OTHERWISE SPECIFIED TOLERANCES ARE

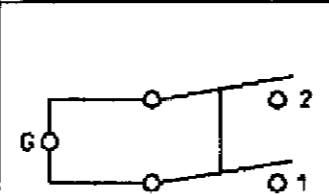
ONE PLACE	(.0)	±.030
TWO PLACE	(.00)	±.015
THREE PLACE	(.000)	±.005
ANGLES		±

WEIGHT .25 LB MAX

CHARACTERISTICS	
ACTUATING FORCE	7 - 11 LBS
FULL OVERTRAVEL FORCE	20 LBS MAX
RELEASE FORCE	.5 LB MIN
PRETRAVEL	.090 MIN
DIFFERENTIAL TRAVEL	.050 MIN
OVERTRAVEL	.050 MIN
TOTAL TRAVEL	.165 MIN

ELECTRICAL DATA		
CONTACT ARRANGEMENT D P S T - N O		
	28 VDC	
	RATED LOAD	OVERLOAD
INDUCTIVE	.75	1.75

**CIRCUIT DIAGRAM**



ANSI Y14.5M-1982 APPLIES

## X-ON Electronics

Largest Supplier of Electrical and Electronic Components

*Click to view similar products for [Switch Actuators](#) category:*

*Click to view products by [Honeywell](#) manufacturer:*

Other Similar products are found below :

[LW1B-A0L](#) [LW1B-M0](#) [680-4000-00](#) [704.012.618](#) [704.411.018I](#) [704.412.0](#) [704.633.1](#) [704.730.1](#) [704.733.0](#) [84-1221.7](#) [862.8102](#) [G6083](#)  
[9PA24](#) [A0107X](#) [A019307](#) [ADC-418G](#) [12MA7](#) [ASDHYY-B](#) [HW1F-3G](#) [HW1M-L2222](#) [HW4S-31L](#) [200-.704-00](#) [JS-10008](#) [JS-10083](#) [JS-10118](#) [JS-10133](#) [JS-10277](#) [JS-10389](#) [JS-150](#) [JS-552](#) [JS-555](#) [JS-68](#) [JS-6-B](#) [JS-91](#) [JS-94](#) [22-211.011](#) [9001KXSDC](#) [92-458.500](#) [SAPT654133](#)  
[2PA3](#) [SW53AA2](#) [302561](#) [LW2L-A0](#) [3E-12.0](#) [468-10243-001](#) [51-030.005](#) [JM-13](#) [JS-10120](#) [JS-138-B](#) [JS-143-B](#)