

MICRO SWITCH

A DIVISION OF MINNEAPOLIS-HONEYWELL REGULATOR COMPANY
FREEPORT, ILLINOIS

FED. MFR. CODE 91929

ACTUATOR-SWITCH

CATALOG LISTING

JS-68

5

JS-68

M

DRAWING NUMBER

X

5

ISSUE

X

REPLACES

RELEASE NO. SR7058

CHECK

REVISIONS

A C012901

MBF
18 MAY 59

B C029487

SRH
13 JAN 72

C C074078

LJF
1 DEC 92

D C079303

DLT
7 MAR 95

CHECK

31 OCT. 57

31 OCT. 57

31 OCT. 57

CHECK

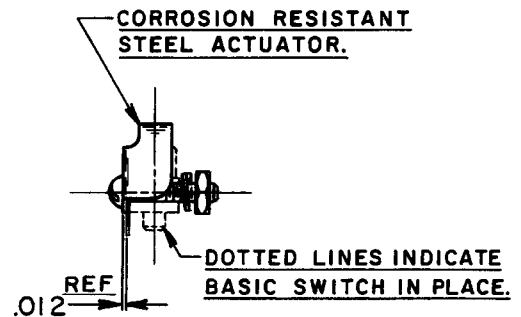
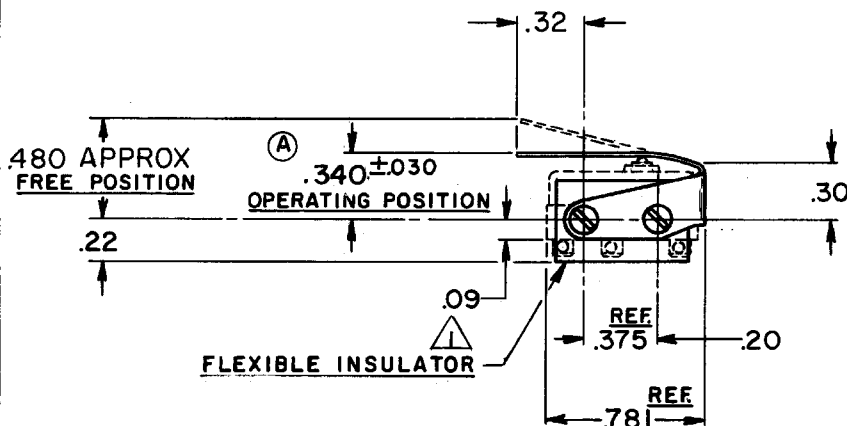
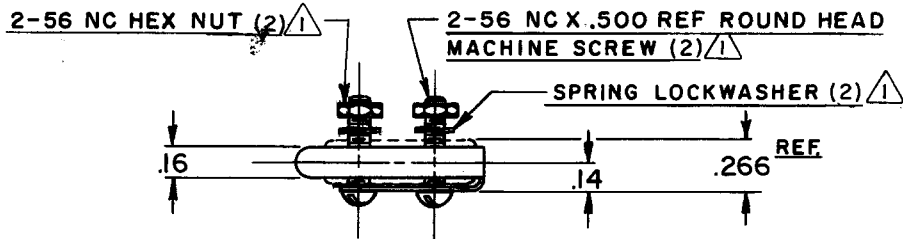
30 OCT. 57

CHECK

30 OCT. 57

CHECK

30 OCT. 57



NOTE - Δ FURNISHED UNASSEMBLED

THIS DRAWING COVERS A PROPRIETARY ITEM AND IS THE PROPERTY OF MICRO SWITCH, A DIVISION OF HONEYWELL. THIS DRAWING IS NOT TO BE COPIED OR USED WITHOUT THE APPROVAL OF MICRO SWITCH.

CHARACTERISTICS WITH ISM BASIC SWITCH INSTALLED

OPERATING FORCE ----- 9 OZ. MAX.

RELEASE FORCE ----- 2 OZ. MIN.

PRETRAVEL ----- .218 MAX.

DIFFERENTIAL TRAVEL ----- .020 MAX.

OVERTRAVEL ----- .030 MIN.

ELECTRICAL DATA

CONTACT ARRANGEMENT

BREAK DISTANCE

SCALE - FULL

DO NOT SCALE PRINT

UNLESS OTHERWISE SPECIFIED
DIMENSIONS ARE IN INCHES
TOLERANCES ARE:

| | | |
|-------------|--------|------------|
| ONE PLACE | (.0) | \pm .030 |
| TWO PLACE | (.00) | \pm .015 |
| THREE PLACE | (.000) | \pm .008 |
| ANGLES | | \pm |

WEIGHT

FO-50378

DRAWN

K. A. F.

X-ON Electronics

Largest Supplier of Electrical and Electronic Components

Click to view similar products for [Switch Actuators](#) category:

Click to view products by [Honeywell](#) manufacturer:

Other Similar products are found below :

[LW1B-A0L](#) [LW1B-M0](#) [680-4000-00](#) [704.012.618](#) [704.411.018I](#) [704.412.0](#) [704.633.1](#) [704.730.1](#) [704.733.0](#) [84-1221.7](#) [862.8102](#) [G6083](#)
[9PA24](#) [A0107X](#) [A019307](#) [ADC-418G](#) [12MA7](#) [ASDHHY-B](#) [HW1F-3G](#) [HW1M-L2222](#) [HW4S-31L](#) [200-.704-00](#) [JS-10008](#) [JS-10083](#) [JS-10118](#) [JS-10133](#) [JS-10277](#) [JS-10389](#) [JS-150](#) [JS-552](#) [JS-555](#) [JS-68](#) [JS-6-B](#) [JS-91](#) [JS-94](#) [22-211.011](#) [9001KXSDC](#) [92-458.500](#) [SAPT654133](#)
[2PA3](#) [SW53AA2](#) [302561](#) [LW2L-A0](#) [3E-12.0](#) [468-10243-001](#) [51-030.005](#) [JM-13](#) [JS-10120](#) [JS-138-B](#) [JS-143-B](#)