

MICRO SWITCH

A DIVISION OF MINNEAPOLIS-HONEYWELL REGULATOR COMPANY
 FREEPORT, ILLINOIS

FED. MFR. CODE 91929

ACTUATOR - SWITCH

CATALOG LISTING

JS-87

(M) JS-87
 ISSUE 2

JS-87

M

DRAWING NUMBER

ISSUE

5

REPLACES

SR 8276

CHECK

14 OCT 58

CHECK

7 MAR 55

CHECK

14 OCT 58

CHECK

14 OCT 58

CHECK

14 OCT 58

CHECK

14 OCT 58

CHECK

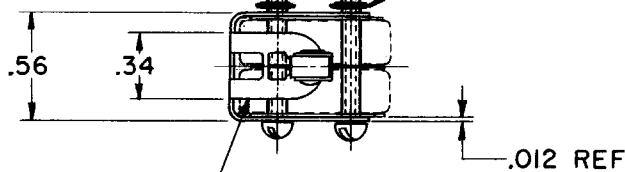
14 OCT 58

CHECK

2-56 NC X .688 REF ROUND HEAD MACHINE SCREW (2) \triangle

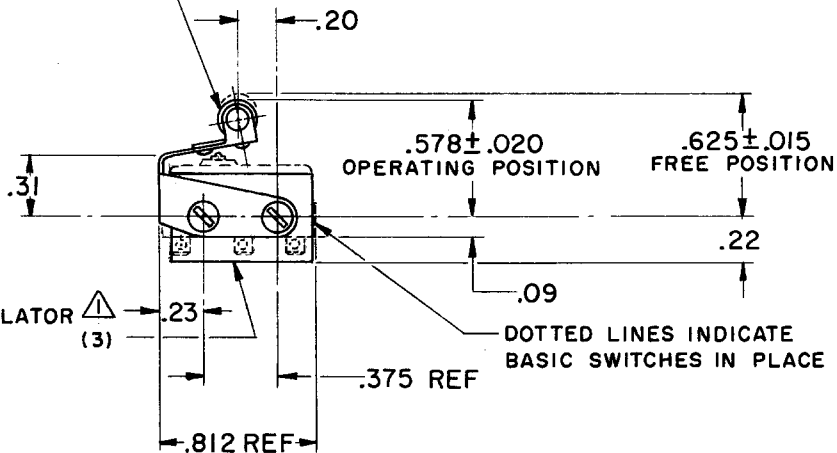
2-56 NC HEX NUT (2) \triangle

LOCKWASHER (2) \triangle



CORROSION RESISTANT STEEL ACTUATOR

.19 DIA X .12 WIDE CORROSION RESISTANT STEEL ROLLER (CONCENTRICITY .005 T I R)



FLEXIBLE INSULATOR (3) \triangle

DOTTED LINES INDICATE BASIC SWITCHES IN PLACE

NOTE - \triangle - FURNISHED UNASSEMBLED

THIS DRAWING COVERS A PROPRIETARY ITEM AND IS THE PROPERTY OF MICRO SWITCH, A DIVISION OF MINNEAPOLIS-HONEYWELL REGULATOR CO. THIS DRAWING IS NOT TO BE COPIED OR USED WITHOUT THE APPROVAL OF MICRO SWITCH.

CHARACTERISTICS WITH ISMI BASIC SWITCH INSTALLED

OPERATING FORCE-----1.5 LB MAX
 RELEASE FORCE-----2 OZ MIN
 PRETRAVEL-----.078 MAX

ELECTRICAL DATA

CONTACT ARRANGEMENT

BREAK DISTANCE

SCALE FULL

DO NOT SCALE PRINT

UNLESS OTHERWISE SPECIFIED DIMENSIONS ARE IN INCHES

TOLERANCES ARE:

ONE PLACE (.0) \pm .030
 TWO PLACE (.00) \pm .015
 THREE PLACE (.000) \pm .008
 ANGLES \pm

WEIGHT

X-ON Electronics

Largest Supplier of Electrical and Electronic Components

Click to view similar products for [Switch Actuators](#) category:

Click to view products by [Honeywell](#) manufacturer:

Other Similar products are found below :

[LW1B-M0](#) [61-1330.0](#) [61-2607.0/D](#) [680-4000-00](#) [704.411.018I](#) [704.412.0](#) [704.633.1](#) [704.730.1](#) [704.733.0](#) [79452124](#) [84-1221.7](#) [862.8102](#)
[G6083](#) [9PA24](#) [120-1867-000](#) [ADC-418G](#) [12MA7](#) [HW1M-L2222](#) [200-.704-00](#) [JS-10008](#) [JS-10083](#) [JS-10118](#) [JS-10133](#) [JS-116](#) [JS-150](#) [JS-](#)
[555](#) [JS-68](#) [JS-6-B](#) [JS-91](#) [JS-94](#) [22-211.011](#) [9001KXSDC](#) [KRR22NW3XX03](#) [SAPT654133](#) [2PA3](#) [STKLBU](#) [STKLWH](#) [SW53AA2](#) [302561](#)
[3E-10.4](#) [3E-12.0](#) [468-10243-001](#) [51-030.002](#) [51-030.005](#) [JM-13](#) [JS-10120](#) [JS-138-B](#) [JS-143-B](#) [JS-49](#) [JS-551](#)