

# MICRO SWITCH

A DIVISION OF MINNEAPOLIS-HONEYWELL REGULATOR COMPANY  
PHEOPORT, ILLINOIS

FED. MFR. CODE 91929

# ACTUATOR-SWITCH

CATALOG LISTING

# JS-94

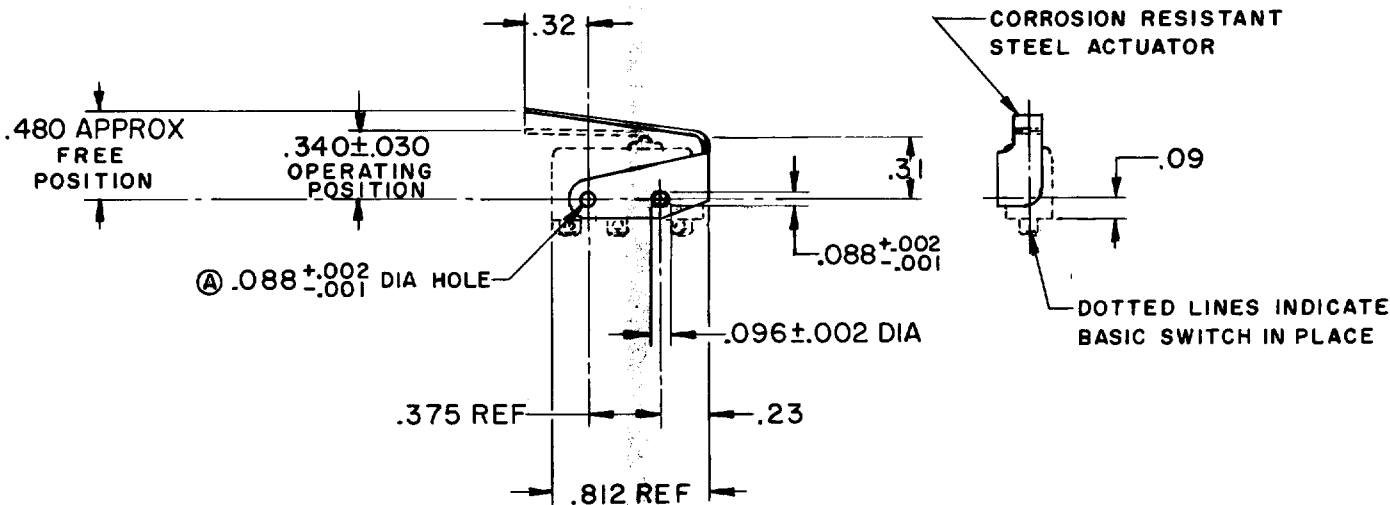
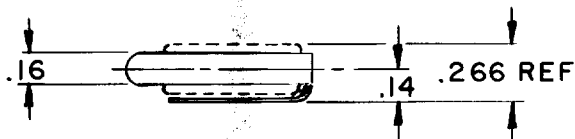
JS-94

M

DRAWING NUMBER

REPLACES

RELEASE NO. SR 8956



THIS DRAWING COVERS A PROPRIETARY ITEM AND IS THE PROPERTY OF MICRO SWITCH, A DIVISION OF MINNEAPOLIS-HONEYWELL REGULATOR CO. THIS DRAWING IS NOT TO BE COPIED OR USED WITHOUT THE APPROVAL OF MICRO SWITCH.

### CHARACTERISTICS WITH ISMI BASIC SWITCH INSTALLED

OPERATING FORCE	7 OZ MAX
RELEASE FORCE	2 OZ MIN
PRETRAVEL	.218 MAX
DIFFERENTIAL TRAVEL	.020 MAX
OVERTRAVEL	.030 MIN

### ELECTRICAL DATA

CONTACT ARRANGEMENT	BREAK DISTANCE
---------------------	----------------

### SCALE FULL

DO NOT SCALE PRINT

UNLESS OTHERWISE SPECIFIED  
DIMENSIONS ARE IN INCHES

**TOLERANCES ARE:**

ONE PLACE (.0)	±.030
TWO PLACE (.00)	±.015
THREE PLACE (.000)	±.005
ANGLES	±

WEIGHT

FO-50378

DRAWN

MB F 27 APRIL 60

CHECK DAW 27 APR 60

CHECK DES 17 APR 60

ISSUE X 2

3

REPLACES SR 8956

REPLACES

## X-ON Electronics

Largest Supplier of Electrical and Electronic Components

*Click to view similar products for [Switch Actuators](#) category:*

*Click to view products by [Honeywell](#) manufacturer:*

Other Similar products are found below :

[LW1B-A0L](#) [LW1B-M0](#) [680-4000-00](#) [704.012.618](#) [704.411.018I](#) [704.412.0](#) [704.633.1](#) [704.730.1](#) [704.733.0](#) [84-1221.7](#) [862.8102](#) [G6083](#)  
[9PA24](#) [A0107X](#) [A019307](#) [ADC-418G](#) [12MA7](#) [ASDHYY-B](#) [HW1F-3G](#) [HW1M-L2222](#) [HW4S-31L](#) [200-.704-00](#) [JS-10008](#) [JS-10083](#) [JS-10118](#) [JS-10133](#) [JS-10277](#) [JS-10389](#) [JS-150](#) [JS-552](#) [JS-555](#) [JS-68](#) [JS-6-B](#) [JS-91](#) [JS-94](#) [22-211.011](#) [9001KXSDC](#) [92-458.500](#) [SAPT654133](#)  
[2PA3](#) [SW53AA2](#) [302561](#) [LW2L-A0](#) [3E-12.0](#) [468-10243-001](#) [51-030.005](#) [JM-13](#) [JS-10120](#) [JS-138-B](#) [JS-143-B](#)