

# MICRO SWITCH

A DIVISION OF MINNEAPOLIS-HONEYWELL REGULATOR COMPANY  
 PRODUCE, ILLINOIS

FED. MFR. CODE 91929

# ACTUATOR-SWITCH

CATALOG LISTING

JV-20

5

JV-20

M

DRAWING NUMBER

99 13

ISSUE 10/12/53

REVISIONS

A CO. 10437

R. L. H. 9 MAY 58

B C.O. 10620

JAV. 12 JULY 58

C CO13876

M B F 8 JULY 59

D CO26511

R E R 21 OCT 69

E CO34626

R E R 7 FEB 75

F CO74163

D H D 22 APR 85

(M) JV-20  
 REPLACES ISSUE 7

RELEASE NO. 6

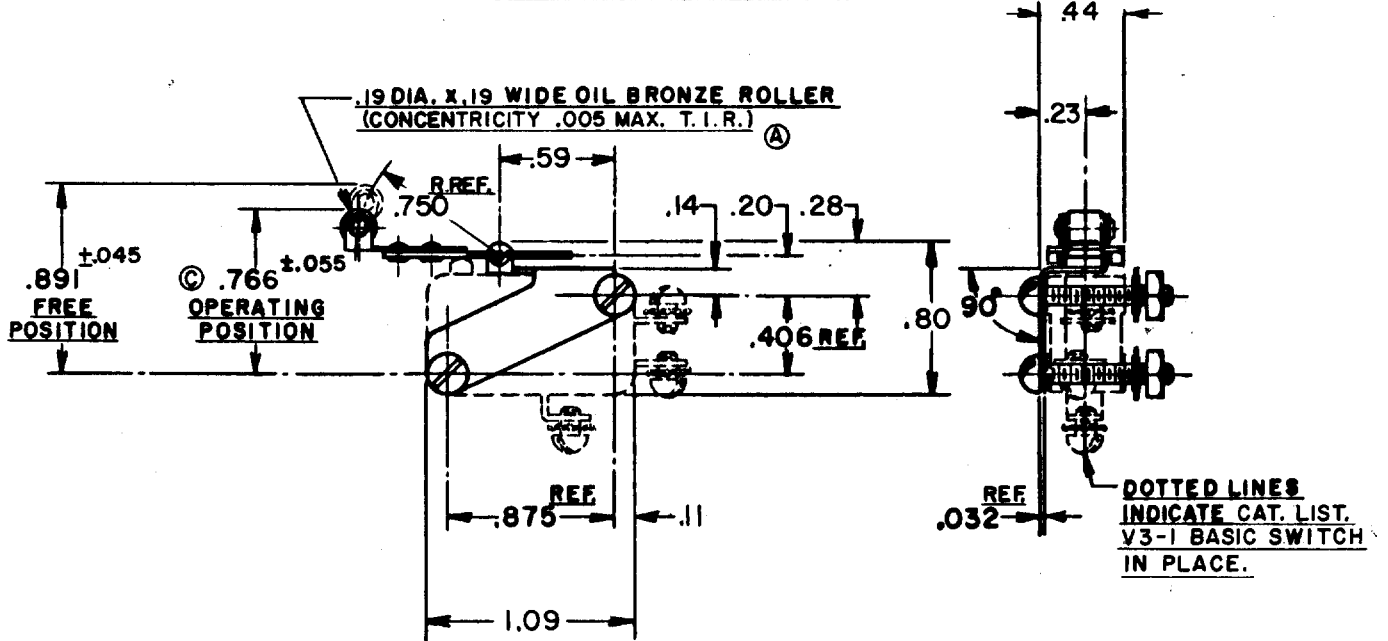
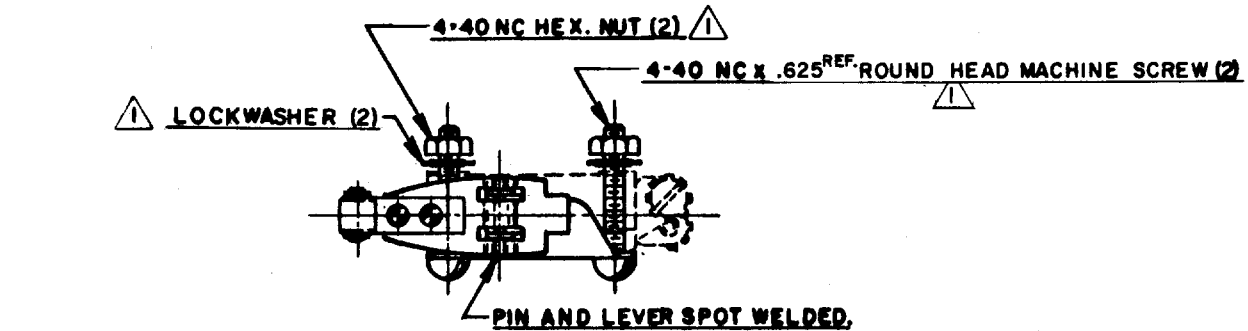
CHECK 10 MAY 56

CHECK 10 MAY 56

CHECK 11 MAY 56

CHECK 56

DRAWN R. L. H. 9 MAY 56



**NOTE -**  
 1- FURNISHED UNASSEMBLED  
 2- ACTUATOR NOT SATISFACTORY FOR USE ON V3-600 AND 700 SERIES SWITCHES. (B)

THIS DRAWING COVERS A PROPRIETARY ITEM AND IS THE PROPERTY OF MICRO SWITCH, A DIVISION OF HONEYWELL. THIS DRAWING IS NOT TO BE COPIED OR USED WITHOUT THE APPROVAL OF MICRO SWITCH.

CHARACTERISTICS WITH V3-1 BASIC SWITCH INSTALLED	ELECTRICAL DATA		SCALE FULL	
OPERATING FORCE ----- 5 OZ. MAX.	CONTACT ARRANGEMENT	BREAK DISTANCE	DO NOT SCALE PRINT	
RELEASE FORCE ----- 1 OZ. MIN.			UNLESS OTHERWISE SPECIFIED	
PRETRAVEL ----- .198 MAX.			DIMENSIONS ARE IN INCHES	
DIFFERENTIAL TRAVEL ----- .078 MAX.			TOLERANCES ARE:	
OVERTRAVEL ----- .062 MIN.			ONE PLACE (.0) ±.030 TWO PLACE (.00) ±.015 THREE PLACE (.000) ±.005 ANGLES ± 2°	
			WEIGHT .027 LB MAX (D)	

## X-ON Electronics

Largest Supplier of Electrical and Electronic Components

*Click to view similar products for [Switch Actuators](#) category:*

*Click to view products by [Honeywell](#) manufacturer:*

Other Similar products are found below :

[LW1B-A0L](#) [LW1B-M0](#) [680-4000-00](#) [704.012.618](#) [704.411.018I](#) [704.412.0](#) [704.633.1](#) [704.730.1](#) [704.733.0](#) [84-1221.7](#) [862.8102](#) [G6083](#)  
[9PA24](#) [A0107X](#) [A019307](#) [ADC-418G](#) [12MA7](#) [ASDHYY-B](#) [HW1F-3G](#) [HW1M-L2222](#) [HW4S-31L](#) [200-.704-00](#) [JS-10008](#) [JS-10083](#) [JS-10118](#) [JS-10133](#) [JS-10277](#) [JS-10389](#) [JS-150](#) [JS-552](#) [JS-555](#) [JS-68](#) [JS-6-B](#) [JS-91](#) [JS-94](#) [22-211.011](#) [9001KXSDC](#) [92-458.500](#) [SAPT654133](#)  
[2PA3](#) [SW53AA2](#) [302561](#) [LW2L-A0](#) [3E-12.0](#) [468-10243-001](#) [51-030.005](#) [JM-13](#) [JS-10120](#) [JS-138-B](#) [JS-143-B](#)