

# MICRO SWITCH

FREEPORT ILLINOIS, U.S.A.  
A DIVISION OF HONEYWELL  
FED. MFG. CODE 91929

# ACTUATOR-SWITCH

CATALOG LISTING  
**JV-314**

JV-314

M

DRAWING  
NUMBER

2

ISSUE

REPLACES

RELEASE NO. PR-13792

CHECK

CHECK

CHECK

CHECK

CHECK

CHECK

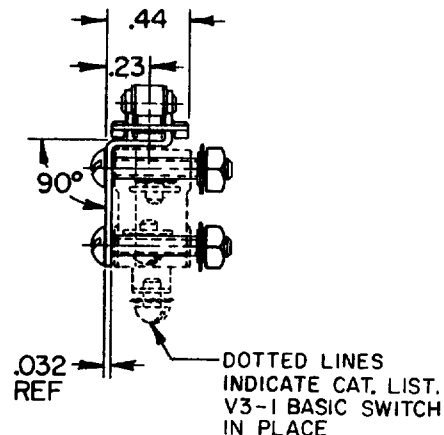
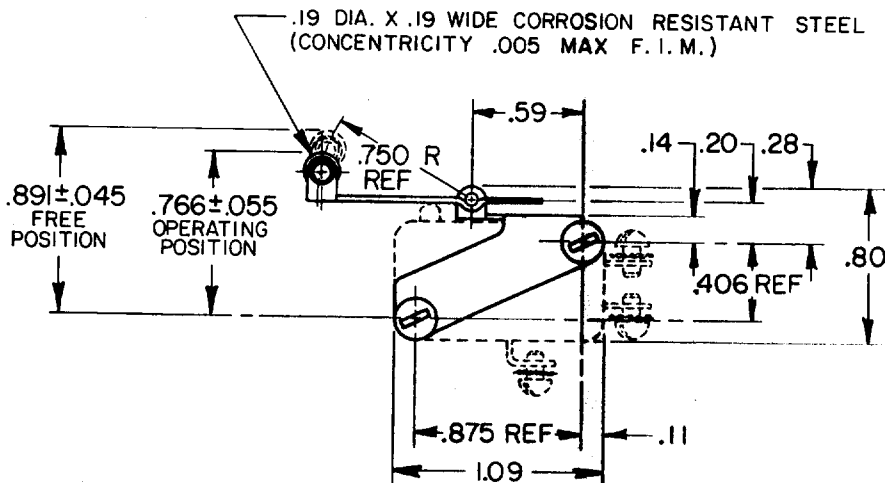
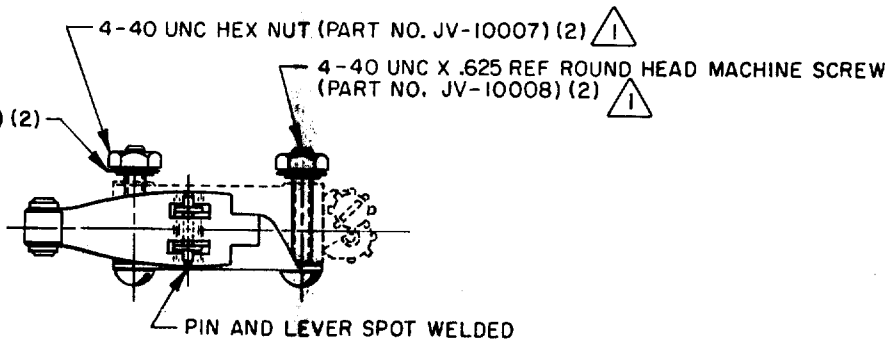
CHECK

CHECK

CHECK

CHECK

CHECK

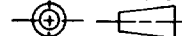


**NOTES**

- ① FURNISHED UNASSEMBLED
- 2 - ACTUATOR NOT SATISFACTORY FOR USE ON V3-600 AND 700 SERIES SWITCHES

THIS DRAWING COVERS A PROPRIETARY ITEM AND IS THE PROPERTY OF MICRO SWITCH, A DIVISION OF HONEYWELL. THIS DRAWING IS NOT TO BE COPIED OR USED WITHOUT THE APPROVAL OF MICRO SWITCH.

THIRD ANGLE PROJECTION



**CHARACTERISTICS WITH V3-1 BASIC SWITCH INSTALLED**

OPERATING FORCE	----- 5 OZ MAX
RELEASE FORCE	----- 1 OZ MIN
PRETRAVEL	----- .188 MAX
DIFFERENTIAL TRAVEL	----- .078 MAX
OVERTRAVEL	----- .062 MIN

**ELECTRICAL DATA**

CONTACT ARRANGEMENT

SCALE FULL

DO NOT SCALE PRINT

**TOLERANCES**  
APPLY TO DESIGN UNITS. CONVERSIONS ARE ONLY FOR REFERENCE. UNLESS NOTED, TOLERANCES ARE ±

	DIM. mm	TOL. mm/in	DIM. in	TOL. mm/in
NO PLACES	X	1/64	X	0.015
ONE PLACE	X,X	0.4/016	X,X	0.38/015
TWO PLACES	X,X,X	0.15/008	X,X,X	0.18/005
THREE PLACES	X,X,X,X		X,X,X,X	
ANGLES				2°

DESIGN UNITS  SI METRIC  US CUSTOMARY

WEIGHT .027 LB MAX

FO-52848-A

DRAWN

M A M 4 APR 85

## X-ON Electronics

Largest Supplier of Electrical and Electronic Components

*Click to view similar products for [Switch Actuators](#) category:*

*Click to view products by [Honeywell](#) manufacturer:*

Other Similar products are found below :

[LW1B-A0L](#) [LW1B-M0](#) [680-4000-00](#) [704.012.618](#) [704.411.018I](#) [704.412.0](#) [704.633.1](#) [704.730.1](#) [704.733.0](#) [84-1221.7](#) [862.8102](#) [G6083](#)  
[9PA24](#) [A0107X](#) [A019307](#) [ADC-418G](#) [12MA7](#) [ASDHYY-B](#) [HW1F-3G](#) [HW1M-L2222](#) [HW4S-31L](#) [200-.704-00](#) [JS-10008](#) [JS-10083](#) [JS-10118](#) [JS-10133](#) [JS-10277](#) [JS-10389](#) [JS-150](#) [JS-552](#) [JS-555](#) [JS-68](#) [JS-6-B](#) [JS-91](#) [JS-94](#) [22-211.011](#) [9001KXSDC](#) [92-458.500](#) [SAPT654133](#)  
[2PA3](#) [SW53AA2](#) [302561](#) [LW2L-A0](#) [3E-12.0](#) [468-10243-001](#) [51-030.005](#) [JM-13](#) [JS-10120](#) [JS-138-B](#) [JS-143-B](#)