

## Model JV

### Digital Pressure Gauge With VCR Fittings

#### DESCRIPTION

Using VCR, the Series JV digital pressure test gauge with 0.2% full scale accuracy uses transducer technology and a stainless steel diaphragm for high over pressure protection. The transducer technology provides enhanced accuracy over the entire pressure range. The JV has no moving parts and thus, may provide a long life with fewer re-calibrations.

The stainless steel NEMA construction also provides EMI and RFI protection. The JV provides high resolution with an easy to read digital display. There are no operator errors due to interpolation of hash marks or parallax errors. The units can be scaled to read in various engineering units, such as in-Hg, ft-H<sub>2</sub>O, etc.

The Model JVB provides a 4 mA to 20 mA, two-wire output. The Model JVE provides a 0 Vdc to 5 Vdc output. The Model JVR has two programmable limits and relays with no analog output. The

#### FEATURES

- Passivation or oxygen-cleaned options
- Two programmable limits and relays (optional)
- Test gauge accuracy - 0.2 % full scale
- High and low detection - Microprocessor based
- Ranges to 5000 psi - gage, absolute, vacuum, or compound
- 4½ digit display with 0.5 in height
- Customer recalibration
- Zero offset/tare
- On/off switch disable feature
- Optional carrying case and panel mounting rings
- NEMA 4 rating (optional)
- NIST traceable (optional)



Model JVX provides a 0 Vdc to 5 Vdc output with two programmable limits and relays for process control or alarm indication. The Model JVW is powered by one or two common 9 V alkaline batteries. The Model JVT is powered by a 110 Vac adapter. The JVW, JVB, JVE, JVR, and JVX models are powered by an 11 Vdc to 32 Vdc power supply.

Each unit has a membrane face with raised buttons and tactile feedback for setup and operation. The high, low, and clear buttons are easily accessible on this front membrane. Zero adjustment and zero offset/tare functions are standard on each unit. Calibration and setup parameters are stored on a memory chip to protect from loss even when power is interrupted. Unauthorized set ups and calibrations are also blocked with internal security. Various combinations of the front panel buttons can be deactivated.

# Model JV

## PERFORMANCE SPECIFICATIONS

Characteristic	Measure
Linearity and hysteresis	0.2 % full scale (better than test gauge accuracy)
Pressure range 0 psi to	1, 5, 15, 30, 50, 100, 200, 300, 500, 750, 1000, 1500, 2000, 3000, 5000, 7500, 10000 psi
High and low capture	Standard
Update speed	3 times per sec
Zero and span signal adjustment	Standard: Models JVB, JVE, JVX

## ENVIRONMENTAL SPECIFICATIONS

Characteristic	Measure
Temperature, operating	-1 °C to 71 °C [30 °F to 160 °F]

## ELECTRICAL SPECIFICATIONS

Characteristic	Measure
Rating	NEMA 2 (optional NEMA 4)
Power, Model JVW	One or two 9 V alkaline batteries (included)
Power, Model JVT	110 Vac adapter @ 60 Hz (included)
Power, Model JVJ	11 Vdc to 32 Vdc @ 100 mA (3 ft cable included)
Power, Model JVB	11 Vdc to 32 Vdc (depending on loop resistance) @ 20 mA
Power, Model JVE	11 Vdc to 32 Vdc @ 100 mA
Power, Model JVR	11 Vdc to 32 Vdc @ 100 mA
Power, Model JVX	11 Vdc to 32 Vdc @ 100 mA
Electrical connection	3 ft cable (standard) on Models: JVB, JVE, JVR, JVX, JVJ

## MECHANICAL SPECIFICATIONS

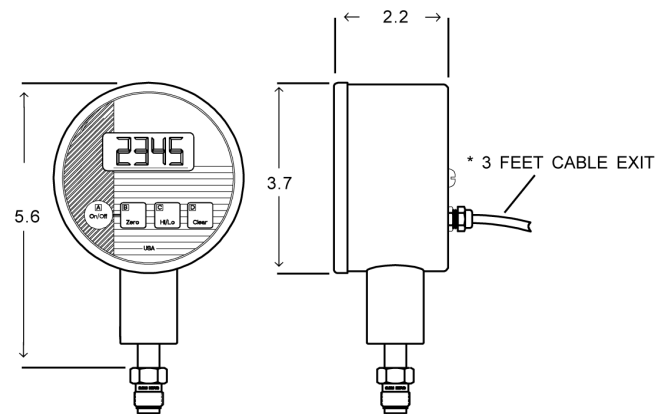
Characteristic	Measure
Diameter	93,98 mm [3.7 in]
Display	4½ LCD digits - 12,7 mm [0.5 in] high
Pressure port	Size 4 stainless steel VCR (male) (Other VCR parts available. Consult factory)
Wetted parts	Stainless steel
Case material	Stainless steel
Face membrane	Tactile feedback raised buttons
Calibration data	Stored on memory chip
Low battery indication	Standard on Model JVW
Limits and relays	Models JVR and JVX

## ADDITIONAL SPECIFICATIONS

Pressure range (psi)	Maximum safe over pressure (psi) <sup>1</sup>	Model JV
0 psi to 1 psi = 1 (opt)	10	0.001
0 psi to 5 psi = 5 (opt)	25	0.005
0 psi to 15 psi = 15	75	0.01
0 psi to 30 psi = 30	150	0.02
0 psi to 50 psi = 50	250	0.05
0 psi to 100 psi = 100	500	0.1
0 psi to 200 psi = 200	1000	0.1
0 psi to 300 psi = 300	1200	0.2
0 psi to 500 psi = 500	1500	0.5
0 psi to 750 psi = 750	1500	0.5
0 psi to 1000 psi = 1K	2000	1
0 psi to 1500 psi = 1.5K	3000	1
0 psi to 2000 psi = 2K	4000	1
0 psi to 3000 psi = 3K	6000	2
0 psi to 5000 psi = 5K	7500	5
0 psi to 7500 psi = 7.5K	12000	5
0 psi to 10000 psi = 10K	15000	5

<sup>1</sup> Maximum safe overpressure is the pressure which the unit can experience occasionally without the loss of accuracy or permanent damage

## MOUNTING DIMENSIONS AND CHARACTERISTICS



\* Models JVB, JVE, JVR, JVX, JVJ

**No cable for battery powered Model JVW**

Request certified drawing before designing mountings or fixtures.  
Specifications subject to change without notice.

For reference only

# Model JV

## ORDER GUIDE

**JV W 100 G Z V ( )**

\* = Example

**SERIES** ————

JV\*

**MODEL DESIGNATION** ————

Models with output signal  
 B = 4 mA to 20 mA (two-wire)  
 E = 0 Vdc to 5 Vdc  
 R = 2 programmable limits & relays  
 X = 0 Vdc to 5 Vdc with two limits & relays

Models with no output signal  
 W = Battery powered (9 V alkaline)\*  
 T = 110 Vac adapter (included)  
 V = 11 Vdc to 32 Vdc (3 ft. cable)

**PRESSURE RANGE (PSI)** ————

1 = 0-1 (opt)	100 = 0-100*	1.5K = 0-1500
5 = 0-5 (opt)	200 = 0-200	2K = 0-2000
15 = 0-15	300 = 0-300	3K = 0-3000
30 = 0-30	500 = 0-500	5K = 0-5000
50 = 0-50	750 = 0-750	7.5K = 0-7500
	1K = 0-1000	10K = 0-10000

**REFERENCE** ————

G = Gage (std) reads zero at atmosphere\*  
 A = Absolute (opt) reads zero at vacuum (15 psi or higher)  
 V = Vacuum (opt) scaled in In Hg (15 psi or lower)  
 C = Compound (opt) reads both positive and negative (vacuum) pressure

**ELECTRICAL CONNECTION** ————

Z = No electrical connection (Model JVW - 9 V battery)\*  
 C = 3 foot cable  
 T = ac adapter (Model JVT)  
 B = Bendix (opt) (PTIH-10-6P or equal) connector sold separately

*Call factory for availability of other electrical connections and cable lengths.*

**VCR PRESSURE FITTING** ————

V = Size 4 stainless steel VCR (male)\*  
*Other VCR ports available. Please call factory.*

**NEMA 4 CONSTRUCTION** ————

4 = NEMA 4 (not available on Model JVT)

**FIELD SELECTABLE STANDARD UNITS OF MEASURE**

Bar = Bar	Ft H2O = Feet of water
MBar = Millibar	In H2O = Inches of water
kPa = Kilopascals	In Hg = Inches of mercury
MPa = Megapascals	mmHg = mm of mercury

*Consult factory for other units of measure not listed*

*This order code is used ONLY if you want NEMA 4 rating*

## NOTES

- The limit/relay models include two LED status indicators on front face and two form C relays (normally open, common, normally closed) that are rated at a maximum 24 Vdc/Vac at 1 A or 48 Vdc/Vac at 1/2 A.

Sensing and Control  
 Automation and Control Solutions  
 Honeywell  
 1985 Douglas Drive North  
 Golden Valley, MN 55422 USA  
 +1-815-235-6847  
[www.honeywell.com/sensing](http://www.honeywell.com/sensing)

# Digital Pressure Gauge With VCR Fittings

**Warranty.** Honeywell warrants goods of its manufacture as being free of defective materials and faulty workmanship. Honeywell's standard product warranty applies unless agreed to otherwise by Honeywell in writing; please refer to your order acknowledgement or consult your local sales office for specific warranty details. If warranted goods are returned to Honeywell during the period of coverage, Honeywell will repair or replace, at its option, without charge those items it finds defective. **The foregoing is buyer's sole remedy and is in lieu of all warranties, expressed or implied, including those of merchantability and fitness for a particular purpose. In no event shall Honeywell be liable for consequential, special, or indirect damages.**

While we provide application assistance personally, through our literature and the Honeywell web site, it is up to the customer to determine the suitability of the product in the application.

Specifications may change without notice. The information we supply is believed to be accurate and reliable as of this printing. However, we assume no responsibility for its use.

For more information about Sensing and Control products, visit [www.honeywell.com/sensing](http://www.honeywell.com/sensing) or call +1-815-235-6847

Email inquiries to [info.sc@honeywell.com](mailto:info.sc@honeywell.com)

### **WARNING** **PERSONAL INJURY**

- DO NOT USE these products as safety or emergency stop devices or in any other application where failure of the product could result in personal injury.

**Failure to comply with these instructions could result in death or serious injury.**

### **WARNING** **MISUSE OF DOCUMENTATION**

- The information presented in this catalogue is for reference only. DO NOT USE this document as product installation information.
- Complete installation, operation and maintenance information is provided in the instructions supplied with each product.

**Failure to comply with these instructions could result in death or serious injury.**

# Honeywell

## X-ON Electronics

Largest Supplier of Electrical and Electronic Components

*Click to view similar products for [Switch Actuators](#) category:*

*Click to view products by [Honeywell](#) manufacturer:*

Other Similar products are found below :

[LW1B-A0L](#) [LW1B-M0](#) [680-4000-00](#) [704.012.618](#) [704.411.018I](#) [704.412.0](#) [704.633.1](#) [704.730.1](#) [704.733.0](#) [84-1221.7](#) [862.8102](#) [G6083](#)  
[9PA24](#) [A0107X](#) [A019307](#) [ADC-418G](#) [12MA7](#) [ASDHYY-B](#) [HW1F-3G](#) [HW1M-L2222](#) [HW4S-31L](#) [200-.704-00](#) [JS-10008](#) [JS-10083](#) [JS-10118](#) [JS-10133](#) [JS-10277](#) [JS-10389](#) [JS-150](#) [JS-552](#) [JS-555](#) [JS-68](#) [JS-6-B](#) [JS-91](#) [JS-94](#) [22-211.011](#) [9001KXSDC](#) [92-458.500](#) [SAPT654133](#)  
[2PA3](#) [SW53AA2](#) [302561](#) [LW2L-A0](#) [3E-10.4](#) [3E-12.0](#) [468-10243-001](#) [51-030.005](#) [JM-13](#) [JS-10120](#) [JS-138-B](#)