

**MICRO SWITCH**

A DIVISION OF MINNEAPOLIS-HONEYWELL REGULATOR COMPANY  
PROBOPORT, ILLINOIS

FED. MFR. CODE 91929

**ACTUATOR - SWITCH**

CATALOG LISTING

**JX - 48**

JX - 48

REPLACES

SR 10519

RELEASE NO.

**M**

DRAWING NUMBER

**X**

**5**

ISSUE

**8**

**A**

CHECK

DES 17 FEB 61

REVISIONS

A	SR 10519	M B F	1 OCT 62
B	CO 22579	O M W	1 MAY 67
C	CO 22579	M B S	19 APR 68
D	CO 82928	DLT	13 MAY 68

CHECK DES 17 FEB 61

CHECK

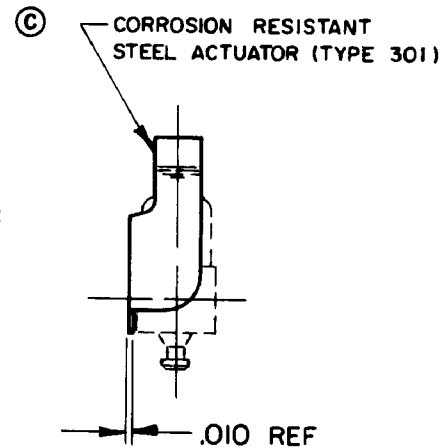
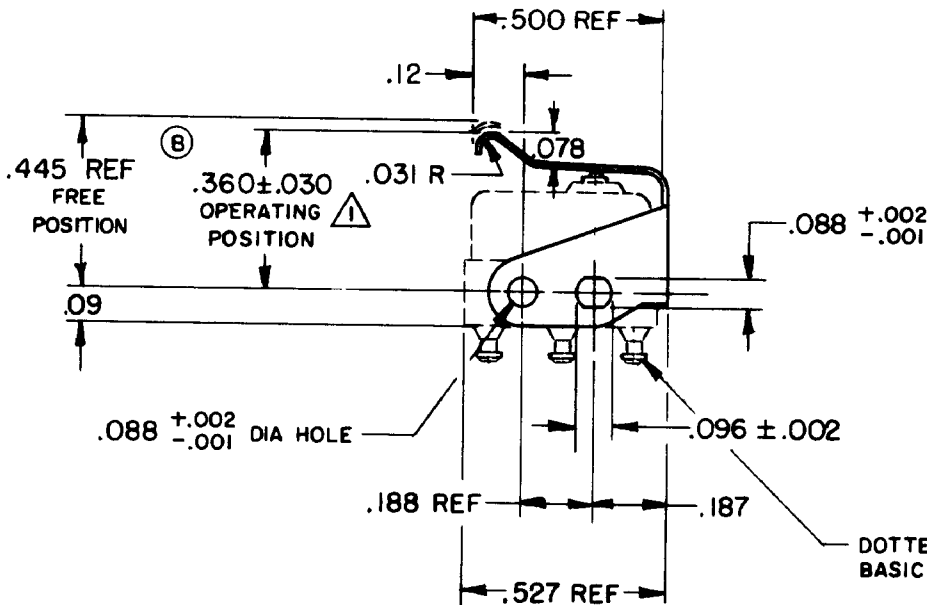
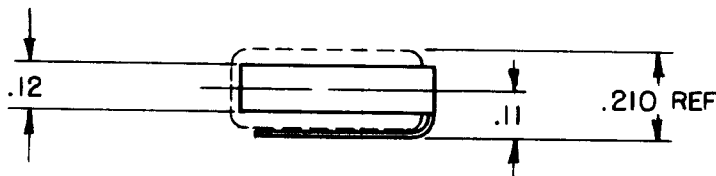
FEB 61

FEB 61

FEB 61

FEB 61

FEB 61



DOTTED LINES INDICATE BASIC SWITCH IN PLACE

NOTE - **⚠** SLIGHT ROTATION BETWEEN BASIC AND ACTUATOR MAY BE NECESSARY TO OBTAIN OPERATING POSITION, BASED ON USING NO. 2-56 MACHINE SCREWS

THIS DRAWING COVERS A PROPRIETARY ITEM AND IS THE PROPERTY OF MICRO SWITCH, A DIVISION OF MINNEAPOLIS-HONEYWELL REGULATOR CO. THIS DRAWING IS NOT TO BE COPIED OR USED WITHOUT THE APPROVAL OF MICRO SWITCH.

**CHARACTERISTICS WITH ISXI-T BASIC SWITCH INSTALLED**

OPERATING FORCE	-----	10 OZ MAX
RELEASE FORCE	-----	2 OZ MIN
DIFFERENTIAL TRAVEL	-----	.025 MAX
OVERTRAVEL	-----	.015 MIN

**ELECTRICAL DATA**

CONTACT ARRANGEMENT	BREAK DISTANCE
---------------------	----------------

SCALE 2 TO 1		
DO NOT SCALE PRINT		
UNLESS OTHERWISE SPECIFIED		
DIMENSIONS ARE IN INCHES		
<b>TOLERANCES ARE:</b>		
ONE PLACE	(.0)	±.030
TWO PLACE	(.00)	±.015
THREE PLACE	(.000)	±.008
ANGLES		±
WEIGHT		

## X-ON Electronics

Largest Supplier of Electrical and Electronic Components

*Click to view similar products for [Switch Actuators](#) category:*

*Click to view products by [Honeywell](#) manufacturer:*

Other Similar products are found below :

[LW1B-A0L](#) [LW1B-M0](#) [680-4000-00](#) [704.012.618](#) [704.411.018I](#) [704.412.0](#) [704.633.1](#) [704.730.1](#) [704.733.0](#) [84-1221.7](#) [862.8102](#) [G6083](#)  
[9PA24](#) [A0107X](#) [A019307](#) [ADC-418G](#) [12MA7](#) [ASDHYY-B](#) [HW1F-3G](#) [HW1M-L2222](#) [HW4S-31L](#) [200-.704-00](#) [JS-10008](#) [JS-10083](#) [JS-10118](#) [JS-10133](#) [JS-10277](#) [JS-10389](#) [JS-150](#) [JS-552](#) [JS-555](#) [JS-68](#) [JS-6-B](#) [JS-91](#) [JS-94](#) [22-211.011](#) [9001KXSDC](#) [92-458.500](#) [SAPT654133](#)  
[2PA3](#) [SW53AA2](#) [302561](#) [LW2L-A0](#) [3E-12.0](#) [468-10243-001](#) [51-030.005](#) [JM-13](#) [JS-10120](#) [JS-138-B](#) [JS-143-B](#)