

MICRO SWITCH

A DIVISION OF MINNEAPOLIS-HONEYWELL REGULATOR COMPANY
MINNETONKA, MINNESOTA

FED. MFR. CODE 91929

ACTUATOR - SWITCH

CATALOG LISTING

JX-51

5

REPLACES

RELEASE NO. SR 7760

DRAWING NUMBER

ISSUE

REVISIONS

CHECK

B.L.S.

CHECK

C.J.H.

CHECK

D.H.D.

CHECK

G.C.H.

CHECK

H

DRAWN

R. E. R.

FO-50378

JX-51

M

2

9

8 SEPT 58

8 SEPT 58

17 APR 61

1 MAY 67

19 APR 68

CO47771

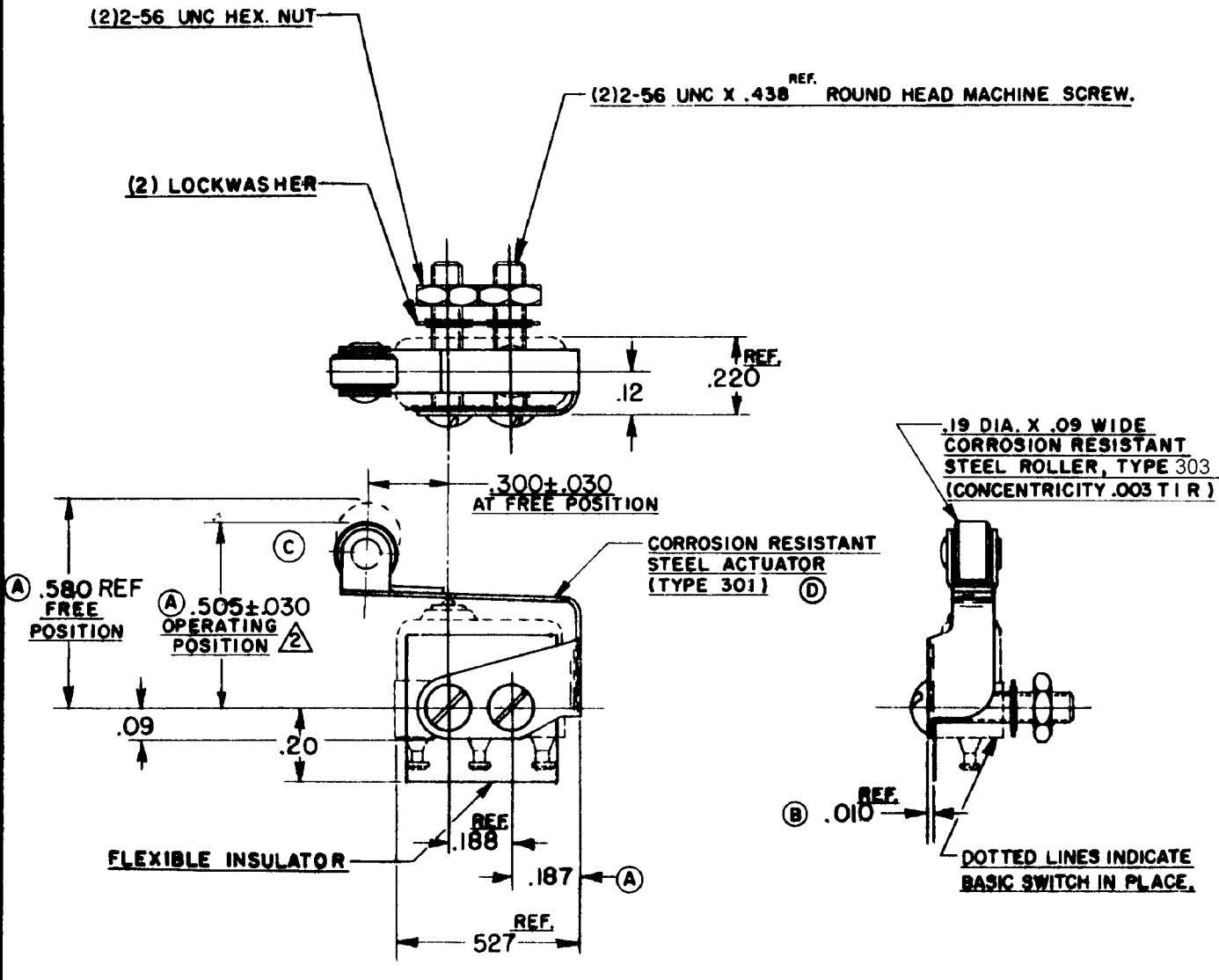
17 MAY 80

CO74163

22 APR 93

CO82929

13 MAY 96



NOTE -
 1 - SCREWS, NUTS, LOCKWASHERS AND INSULATOR FURNISHED UNASSEMBLED.
 2 - SLIGHT ROTATION BETWEEN BASIC AND ACTUATOR MAY BE NECESSARY TO OBTAIN OPERATING POINT

CHECK RJ 14SEP05

THIS DRAWING COVERS A PROPRIETARY ITEM AND IS THE PROPERTY OF MICRO SWITCH, A DIVISION OF MINNEAPOLIS-HONEYWELL REGULATOR CO. THIS DRAWING IS NOT TO BE COPIED OR USED WITHOUT THE APPROVAL OF MICRO SWITCH.

CHARACTERISTICS WITH ISXI-T BASIC SWITCH INSTALLED		ELECTRICAL DATA		SCALE 2 TO 1
OPERATING FORCE - - - - -	6 OZ. MAX.	CONTACT ARRANGEMENT	BREAK DISTANCE	DO NOT SCALE PRINT
RELEASE FORCE - - - - -	2 OZ. MIN.			UNLESS OTHERWISE SPECIFIED
DIFFERENTIAL TRAVEL - - -	.025 MAX.			DIMENSIONS ARE IN INCHES
OVERTRAVEL - - - - -	.015 MIN.			TOLERANCES ARE:
	(A)			ONE PLACE (.0) ± .030
				TWO PLACE (.00) ± .015
				THREE PLACE (.000) ± .008
				ANGLES ±
				WEIGHT

X-ON Electronics

Largest Supplier of Electrical and Electronic Components

Click to view similar products for [Switch Actuators](#) category:

Click to view products by [Honeywell](#) manufacturer:

Other Similar products are found below :

[LW1B-A0L](#) [LW1B-M0](#) [680-4000-00](#) [704.012.618](#) [704.411.018I](#) [704.412.0](#) [704.633.1](#) [704.730.1](#) [704.733.0](#) [84-1221.7](#) [862.8102](#) [G6083](#)
[9PA24](#) [A0107X](#) [A019307](#) [ADC-418G](#) [12MA7](#) [ASDHYY-B](#) [HW1F-3G](#) [HW1M-L2222](#) [HW4S-31L](#) [200-.704-00](#) [JS-10008](#) [JS-10083](#) [JS-10118](#) [JS-10133](#) [JS-10277](#) [JS-10389](#) [JS-150](#) [JS-552](#) [JS-555](#) [JS-68](#) [JS-6-B](#) [JS-91](#) [JS-94](#) [22-211.011](#) [9001KXSDC](#) [92-458.500](#) [SAPT654133](#)
[2PA3](#) [SW53AA2](#) [302561](#) [LW2L-A0](#) [3E-12.0](#) [468-10243-001](#) [51-030.005](#) [JM-13](#) [JS-10120](#) [JS-138-B](#) [JS-143-B](#)