

MICRO SWITCH

A DIVISION OF MINNEAPOLIS-HONEYWELL REGULATOR COMPANY
PREPONT, ILLINOIS

FED. MFR. CODE 91929

ACTUATOR-SWITCH

CATALOG LISTING

JX-53

JX-53

M

DRAWING NUMBER

ISSUE

ISSUE

ISSUE

ISSUE

REVISIONS

A	CO 15829	MBF	17 APRIL 61
B	CO 22579	DMW	2 MAY 67
C	CO 22579	MBS	19 APR 68
D	CO 82929	DLT	13 MAY 68
E	0015428	SPK	14SEP05

REPLACES

RELEASE NO. SR 8642

14SEP05

RJ

CHECK

59

59

59

59

59

59

59

59

59

59

59

59

59

59

59

59

59

59

59

59

59

59

59

59

59

59

59

59

59

59

59

59

59

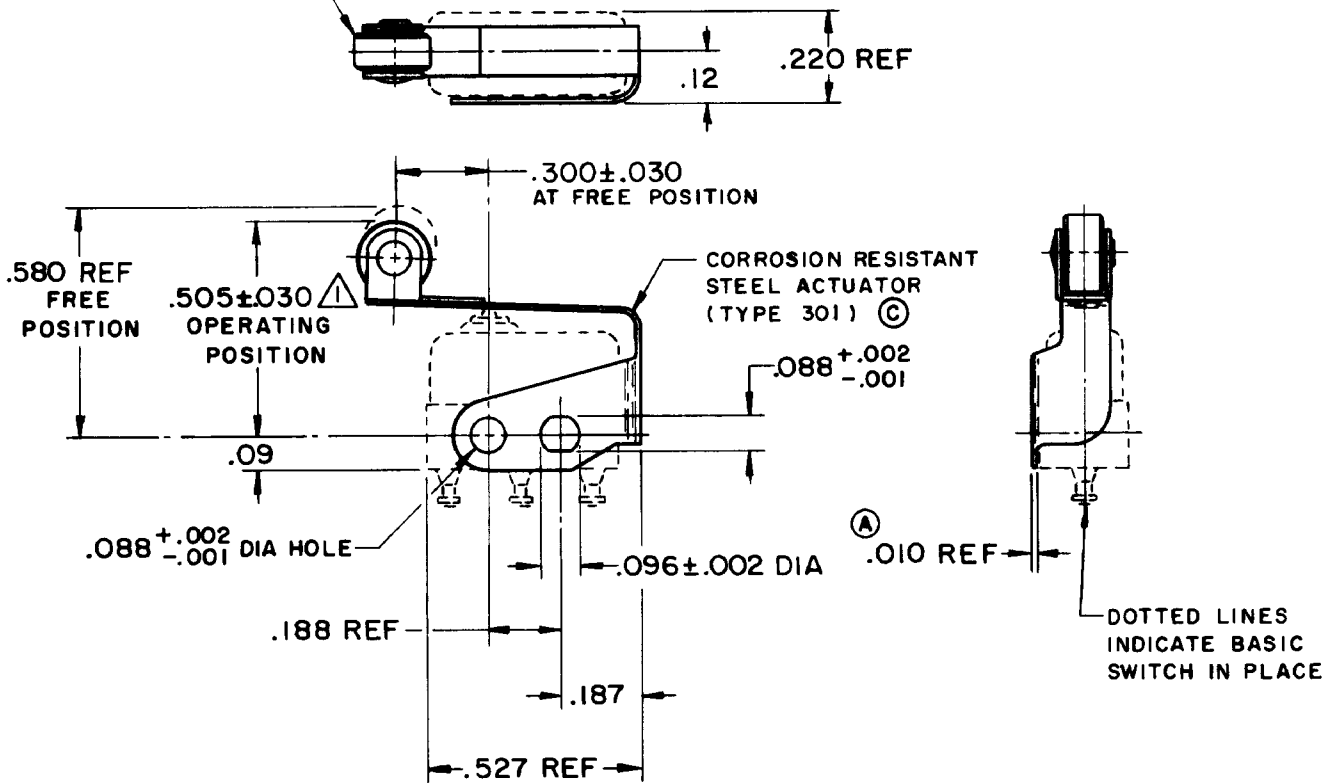
59

59

59

59

.19 DIA X .09 WIDE CORROSION RESISTANT STEEL ROLLER, TYPE 303 (CONCENTRICITY .003 TIR)



THIS DRAWING COVERS A PROPRIETARY ITEM AND IS THE PROPERTY OF MICRO SWITCH, A DIVISION OF MINNEAPOLIS-HONEYWELL REGULATOR CO. THIS DRAWING IS NOT TO BE COPIED OR USED WITHOUT THE APPROVAL OF MICRO SWITCH.

CHARACTERISTICS WITH ISX1-T BASIC SWITCH INSTALLED

OPERATING FORCE	----- 6 OZ MAX
RELEASE FORCE	----- 2 OZ MIN
DIFFERENTIAL TRAVEL	----- .025 MAX
OVERTRAVEL	----- .015 MIN

ELECTRICAL DATA

CONTACT ARRANGEMENT	BREAK DISTANCE
---------------------	----------------

SCALE 2 TO 1

DO NOT SCALE PRINT

UNLESS OTHERWISE SPECIFIED
DIMENSIONS ARE IN INCHES

TOLERANCES ARE:

ONE PLACE	(.0)	±.000
TWO PLACE	(.00)	±.018
THREE PLACE	(.000)	±.008
ANGLES		±

WEIGHT

FO-80378

DRAWN

O M W 23 NOV 59

X-ON Electronics

Largest Supplier of Electrical and Electronic Components

Click to view similar products for [Switch Actuators](#) category:

Click to view products by [Honeywell](#) manufacturer:

Other Similar products are found below :

[LW1B-A0L](#) [LW1B-M0](#) [680-4000-00](#) [704.012.618](#) [704.411.018I](#) [704.412.0](#) [704.633.1](#) [704.730.1](#) [704.733.0](#) [84-1221.7](#) [862.8102](#) [G6083](#)
[9PA24](#) [A0107X](#) [A019307](#) [ADC-418G](#) [12MA7](#) [ASDHYY-B](#) [HW1F-3G](#) [HW1M-L2222](#) [HW4S-31L](#) [200-.704-00](#) [JS-10008](#) [JS-10083](#) [JS-10118](#) [JS-10133](#) [JS-10277](#) [JS-10389](#) [JS-150](#) [JS-552](#) [JS-555](#) [JS-68](#) [JS-6-B](#) [JS-91](#) [JS-94](#) [22-211.011](#) [9001KXSDC](#) [92-458.500](#) [SAPT654133](#)
[2PA3](#) [SW53AA2](#) [302561](#) [LW2L-A0](#) [3E-12.0](#) [468-10243-001](#) [51-030.005](#) [JM-13](#) [JS-10120](#) [JS-138-B](#) [JS-143-B](#)