

Interactive Catalog Supplements Catalog PDFs

If you need detailed product information, or help choosing the right product for your application, see our **Interactive Catalog**. Use the **Interactive Catalog** to access the most complete and up-to-date information available.

The **Interactive Catalog** provides an extensive collection of product specifications, application data, and technical literature that can be searched based on criteria you select.

This PDF catalog information was published in November 2000.



Sensing and Control
**Interactive
Catalog...**


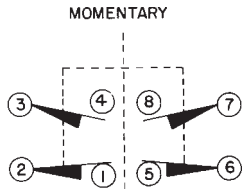

**Click this icon to try
the Interactive Catalog.**

Sensing and Control

Honeywell Inc.

11 West Spring Street

Freeport, IL 61032

 SPDT Double Break		Plug-in 1/2" Conduit						
	A	Non plug-in 1/2" Conduit	LSA3K	LSP3K	LSU3K	LSR3K	LSH3K	LSB3K
Silver contacts MOMENTARY  DPDT Double Break	B	Plug-in 3/4" Conduit	LSA2B	LSP2B	LSU2B	LSR2B	LSH2B	LSB2B
	B	Plug-in 1/2" Conduit	LSA6B	LSP6B	LSU6B	LSR6B	LSH6B	LSB6B
	B	120 V Ind. lite Plug-in 3/4" Conduit	LSA2R	LSP2R	LSU2R	LSR2R	LSH2R	LSB2R
	B	Non plug-in 3/4" Conduit	LSA4L	LSP4L	LSU4L	LSR4L	LSH4L	LSB4L
	B	Non plug-in 1/2" Conduit	LSA7L	LSP7L	LSU7L	LSR7L	LSH7L	LSB7L
 SPN Direct Acting	D	Non plug-in 1/2" Conduit	LSA3N			LSR3N		LSB3N

*Use at voltage indicated for light. Wired to N.O. circuit.

Upper temperature limit for lighted units is 200°F (93°C).

**Plug-in listings include base receptacle.

OPERATING CHARACTERISTICS

Pretravel (degrees max.)		15	9	5	15	9	25
Differential Travel (degrees max.)	SPDT	5	3	3	5	3	10
	DPDT	7	4	4	7	4	12
Overtravel (degrees min.)		60	66	70	60	66	110
Operating Torque (max.)	NM = Newton meters	0,45 Nm 4 in. lbs.	0,45 Nm 4 in. lbs.	0,45 Nm 4 in. lbs.	0,19 Nm 1.7 in. lbs.	0,19 Nm 1.7 in. lbs.	0,28 Nm 2.5 in. lbs.
Operating Temperature Range***		10°F to 250°F -12° to 121°C			30°F to 250°F -1° to 121°C		

***Completely fluorocarbon-sealed switches are preferred for use in temperatures above 200°F (93°C). Refer to page A42.

ings. Prices are the same as their counter-parts shown in the order guide.

Modification number suffixes are:

- 1 Clockwise operation only
- 2 Counterclockwise operation only
- 3 Shaft to right of switch front
- 4 Shaft to left of switch front
- 5 Shaft to back of switch
- 7 Indicator light wired to N.C. circuit

Examples:

Catalog Listing LSA1A23 is an LSA1A switch adjusted for counterclockwise operation only. The operating shaft is to the right side of the switch when viewing it from the front (label side). No lever.

Catalog Listing LSA8A7 is an LSA8A switch with the 240 volt indicator light wired to the N.C. circuit. No lever.

Switches with assembly modifications are not normally stocked and may extend delivery leadtimes.

		600	6	0.60
D	Single-Pole Single-Throw Normally Closed	120 240 480 600	60 30 15 12	6 3 1.5 1.2
C**	Single-Pole Double-Throw	250 VAC or 60 VDC, .050 amp max.		

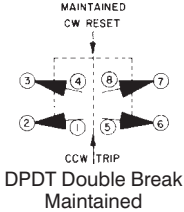

DC Volts

Pilot duty: 240 VDC, 30 watts

Electrical Rating	Circuitry	VDC	Make and Break Amps	
			Inductive	Resistive
A*	Single-Pole Double-Throw	120	0.25	0.8
		240	0.15	0.4
B	Double-Pole Double-Throw	120	0.25	0.8
		240	0.15	0.4
D	Single-Pole Single-Throw Normally Closed	30	4.3	4.3
		120	1.1	1.1
C**	Single-Pole Double-Throw	250 VAC or 60 VDC, .050 amp max.		

*For switches with indicator light, use only at voltage stated for indicator light.

**These switches have either gold plated or gold cross point contacts. Cross point contacts improve high reliability of contact make when particle contamination is a problem or low energy loads must be carried.

	B	Plug-in 3/4" Conduit		LSN2B	LSM2D	LSL2C
	B	Plug-in 1/2" Conduit		LSN6B	LSM6D	LSL6C
	B	Non plug-in 3/4" Conduit	LSQ320	LSN4L	LSM4N	LSL4M
	B	Non plug-in 1/2" Conduit		LSN7L	LSM7N	LSL7M
	D	Non plug-in 1/2" Conduit		LSN3N		

* Use at voltage indicated for light. Wired to N.O. circuit.
Upper temperature for lighted units is 200°F (93°C).

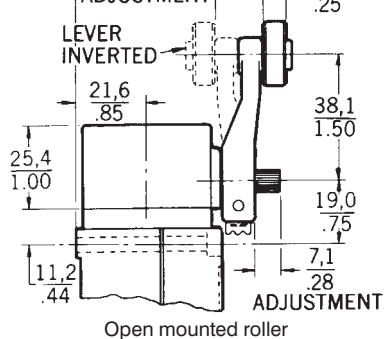
** Plug-in listings include base receptacle.

† Total travel is approximately 80° max. Maintained contact switch normally used with LSZ53 yoke actuator.

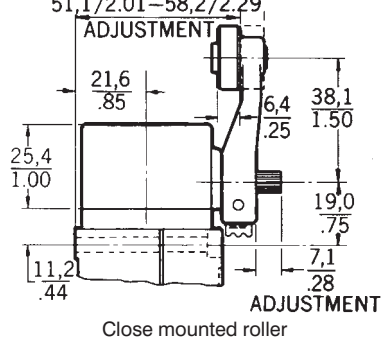
OPERATING CHARACTERISTICS

Pretravel (degrees max.)	SPDT	65	Not Applicable	Not Applicable
Note: Mechanical trip before electrical trip	DPDT	65	18	1st Pole 15 2nd Pole 10 additional (max.)
Differential Travel (degrees max.)	SPDT	40	Not Applicable	Not Applicable
	DPDT	40	10	For each pole — 5 degrees
Overtravel (degrees min.)		20	57	48
Operating Torque (max.)	Nm = Newton meters	0,45 Nm 4 in. lbs.	0,45 4 in. lbs.	0,45 4 in. lbs.
Operating Temperature Range***		30°F to 250°F -1 to 121°C		10°F to 250°F -12 to 121°C

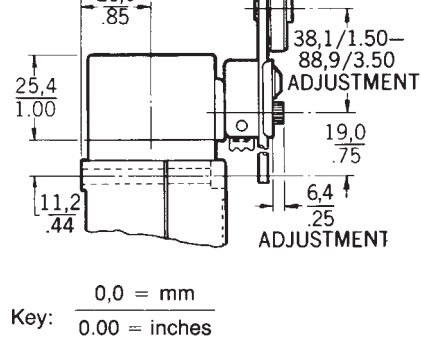
*** Completely fluorocarbon-sealed switches are preferred for temperatures above 200°F (93°C). Refer to page A42.



Open mounted roller

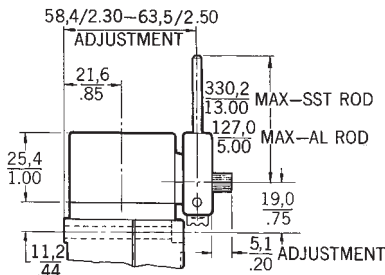


Close mounted roller

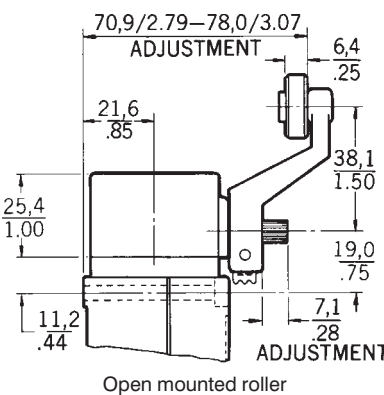


Key: 0.0 = mm
0.00 = inches

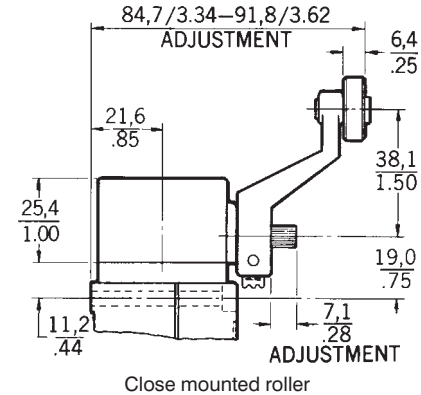
LSZ54 TYPE LEVER



LSZ55 TYPE LEVERS

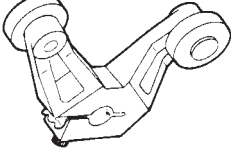

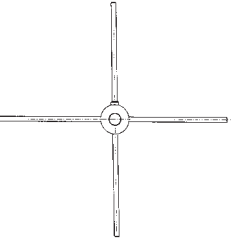


Open mounted roller

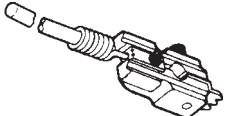
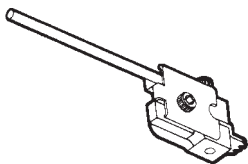

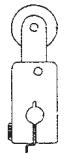


Close mounted roller

NOTE: Shaft dia. is .29 in.

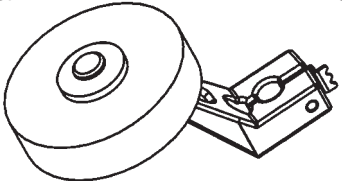
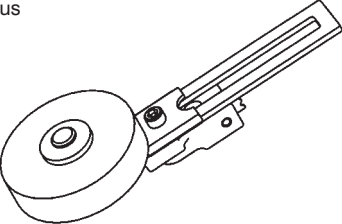
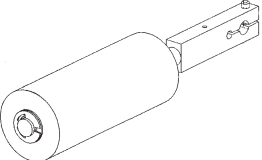
	1.5	—	—	—	Less Roller	LSZ51
LSZ53 Series	1.5	Front-Back	.75	.25	Nylon	LSZ53A
Yoke	1.5	Front-Back	.75	.25	Steel	LSZ53B
	1.5	Front-Front	.75	.25	Steel	LSZ53D
	1.5	Back-Front	.75	.25	Nylon	LSZ53E
	1.5	Back-Back	.75	.25	Nylon	LSZ53S
	1.5	Back-Back	.75	.25	Steel	LSZ53P
	1.5	Back-Front	.75	.25	Steel	LSZ53U
	1.5	Back-Front	.75	1.25	Nylon	LSZ53M
	1.5	—	—	—	Less Rollers	LSZ53
Back view of LSZ53E						
LSZ55 Series	1.5	—	—	—	Less Roller	LSZ55
Offset	1.5	Back	.75	.25	Nylon	LSZ55A
	1.5	Back	.75	.25	Steel	LSZ55B
	1.5	Front	.75	.25	Nylon	LSZ55C
	1.5	Front	.75	.25	Steel	LSZ55D
	1.5	Front	.75	.50	Nylon	LSZ55E
	1.5	Front	1.5	.25	Nylon	LSZ55K
	1.5	Front	1.0	.50	Nylon	LSZ55F
LSZ69 Series*		—	6.0	—	Stainless (spokes replaceable)	LSZ69CA
						

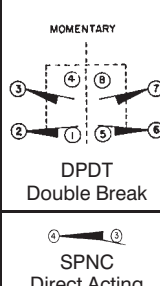
*For use with LSQ300 Series. Hub is aluminum. See page A59 for dimensions.

	<p>w/Spring</p>	<p>LSZ617</p>																								
<p>LSZ54 Series Rod</p>  <p>5.5 13.0 20.0 12.0 4.8</p>	<table border="1"> <tr> <td>—</td> <td>—</td> <td>—</td> <td>Aluminum</td> </tr> <tr> <td>—</td> <td>—</td> <td>—</td> <td>Stainless Steel</td> </tr> <tr> <td>—</td> <td>—</td> <td>—</td> <td>Delrin Rod</td> </tr> <tr> <td>—</td> <td>—</td> <td>—</td> <td>Spring Wire</td> </tr> <tr> <td>—</td> <td>—</td> <td>—</td> <td>Flexible Cable</td> </tr> <tr> <td>—</td> <td>—</td> <td>—</td> <td>Hub Only</td> </tr> </table>	—	—	—	Aluminum	—	—	—	Stainless Steel	—	—	—	Delrin Rod	—	—	—	Spring Wire	—	—	—	Flexible Cable	—	—	—	Hub Only	<p>LSZ54M LSZ54N LSZ54P LSZ54R LSZ54V* LSZ54</p>
—	—	—	Aluminum																							
—	—	—	Stainless Steel																							
—	—	—	Delrin Rod																							
—	—	—	Spring Wire																							
—	—	—	Flexible Cable																							
—	—	—	Hub Only																							
<p>LSZ61 Series Flexible Loop</p> 	<p>6" Flexible Loop/Cap Screw 9.5" Flexible Loop/Cap Screw</p> <p>(measured from center line of shaft hole to tip of actuator)</p> <p>Nylatron</p> <p>Hub Only</p>	<p>LSZ61 LSZ618 LSZ54</p>																								
<p>LSZ60 Series One Way Roller Lever</p> 	<table border="1"> <tr> <td>Front</td> <td>.75</td> <td>.25</td> <td>Nylon</td> </tr> <tr> <td>Front</td> <td>.75</td> <td>.25</td> <td>Steel</td> </tr> </table>	Front	.75	.25	Nylon	Front	.75	.25	Steel	<p>LSZ60A LSZ60B</p>																
Front	.75	.25	Nylon																							
Front	.75	.25	Steel																							

See page A60 for dimensions

*Hub not available separately.

<p>LSZ55 Series Offset</p> 	<p>1.5 1.5</p>	<p>Front Front</p>	<p>1.6 2.0</p>	<p>.50 .50</p>	<p>Rubber Rubber</p>	<p>LSZ55W LSZ55Y</p>
<p>LSZ52 Series Adjustable Radius</p> 	<p>1.5 to 3.5 1.5 to 3.5</p>	<p>Front Front</p>	<p>1.6 2.0</p>	<p>.50 .50</p>	<p>Rubber Rubber</p>	<p>LSZ52W LSZ52Y</p>
<p>LSZ67 Series Conveyor Roller</p> 	<p>—</p>	<p>—</p>	<p>1.5</p>	<p>3.8</p>	<p>Plastic</p>	<p>LSZ67AA</p>

 <p>MOMENTARY</p> <p>DPDT Double Break</p> <p>SPNC Direct Acting</p>	Silver contacts	B	Plug-in 3/4" Conduit	LSC2B	LSD2B	LSV2B	LSE2B	LSF2B	LSW2B	LSG2B
	B	120 V Ind. Lite Plug-in 3/4" Conduit	LSC2R	LSD2R	LSV2R	LSE2R	LSF2R	LSW2R	LSG2R	
	B	Plug-in 1/2" Conduit	LSC6B	LSD6B	LSV6B	LSE6B	LSF6B	LSW6B	LSG6B	
	B	Non plug-in 3/4" Conduit	LSC4L	LSD4L	LSV4L	LSE4L	LSF4L	LSW4L	LSG4L	
	B	Non plug-in 1/2" Conduit	LSC7L	LSD7L	LSV7L	LSE7L	LSF7L	LSW7L	LSG7L	
D	Non plug-in 1/2" Conduit	—	—	—	LSE3N	LSF3N	LSW3N	LSG3N		

*Use at voltage indicated for light. Upper operating temperature limit for lighted units is 200°F. Wired to N.O. circuit.

**Plug-in listings include base receptacle.

OPERATING CHARACTERISTICS

mm Pretravel (in. max.)	1,78 .070	1,78 .070	1,78 .070	2,54 .100	2,54 .100	2,54 .100	4,32 .170	
Differential mm Travel (in. max.)	SPDT	0,38 .015	0,38 .015	0,38 .015	0,64 .025	0,64 .025	0,64 .025	2,29 .090
	DPDT	0,51 .020	0,51 .020	0,51 .020	0,89 .035	0,89 .035	0,89 .035	2,29 .090
mm Overtravel (in. min.)	4,83 .190	4,83 .190	4,83 .190	4,83 .190	4,83 .190	4,83 .190	2,0 .080	
Newton Operating Force (lb. max.)	17,8 4	17,8 4	17,8 4	26,7 6	26,7 6	26,7 6	44,5 10	
Operating Point mm (in.)	45,8 ±0,76 1.805 ±.030	55,9 ±1,02 2.200 ±.040	53,0 to 59,3 2.085 to 2.335	33,0 ±0,76 1.300 ±.030	44,1 ±1,02 1.735 ±.040	41,0 to 47,4 1.615 to 1.865	37,6 ±0,76 1.480 ±.030	
Operating Temperature Range	10°F to 200°F -12 to 93°C		10°F to 200°F -12 to 93°C		10°F to 200°F -12 to 93°C		30°F to 200°F -1 to 93°C	

Gold cross point	C	Plug-in 1/2" Conduit	LSJ1J-7A	LSJ1J-7M	LSK1J-8A	LSJ1J-7N	LSK1J-8C
Gold plated contacts	C		—	LSJ1E-7M	—	—	—
Silver contacts MOMENTARY 	A*	120 V. Ind. Lite Plug-in 1/2" Conduit*	LSJ5A-7A	LSJ5A-7M	LSK5A-8A	LSJ5A-7N	LSK5A-8C
	A*	240 V. Ind. Lite Plug-in 1/2" Conduit*	LSJ8A-7A	LSJ8A-7M	LSK8A-8A	LSJ8A-7N	LSK8A-8C
 SPDT Double Break	A	Non plug-in 1/2" Conduit	LSJ3K-7A	LSJ3K-7M	LSK3K-8A	LSJ3K-7N	LSK3K-8C
	B	Plug-in 3/4" Conduit	LSJ2B-7A	LSJ2B-7M	LSK2B-8A	LSJ2B-7N	LSK2B-8C
Silver contacts  DPDT Double Break	B	120 V Ind. Lite Plug-In 3/4" Conduit	LSJ2R-7A	LSJ2R-7M	LSK2R-8A	LSJ2R-7N	LSK2R-8C
	B	Plug-in 1/2" Conduit	LSJ6B-7A	LSJ6B-7M	LSK6B-8A	LSJ6B-7N	LSK6B-8C
	B	Non plug-in 3/4" Conduit	LSJ4L-7A	LSJ4L-7M	LSK4L-8A	LSJ4L-7N	LSK4L-8C
	B	Non plug-in 1/2" Conduit	LSJ7L-7A	LSJ7L-7M	LSK7L-8A	LSJ7L-7N	LSK7L-8C

OPERATING CHARACTERISTICS

mm Pretravel (approx. in. radius)	25,4 1	102 4	51 2	38 1.5	51 2
Newton Operating Force (oz. max.)	2,78 10	1,39 5	1,39 5	1,95 7	1,95 7
Operating Temperature Range	10°F to 200°F		12 to 93°C		

* Use at voltage indicated for light. Upper operating temperature limit for lighted units is 200°F.

** Plug-in listings include base receptacle.

*** These cat whiskers have 5 1/2 inch long levers. To specify 7 1/2 inch length, substitute **-8B** for **-8A**.

X-ON Electronics

Largest Supplier of Electrical and Electronic Components

Click to view similar products for [Switch Actuators](#) category:

Click to view products by [Honeywell](#) manufacturer:

Other Similar products are found below :

[LW1B-A0L](#) [LW1B-M0](#) [680-4000-00](#) [704.012.618](#) [704.411.018I](#) [704.412.0](#) [704.633.1](#) [704.730.1](#) [704.733.0](#) [84-1221.7](#) [862.8102](#) [G6083](#)
[9PA24](#) [A0107X](#) [A019307](#) [ADC-418G](#) [12MA7](#) [ASDHYY-B](#) [HW1F-3G](#) [HW1M-L2222](#) [HW4S-31L](#) [200-.704-00](#) [JS-10008](#) [JS-10083](#) [JS-10118](#) [JS-10133](#) [JS-10277](#) [JS-10389](#) [JS-150](#) [JS-552](#) [JS-555](#) [JS-68](#) [JS-6-B](#) [JS-91](#) [JS-94](#) [22-211.011](#) [9001KXSDC](#) [92-458.500](#) [SAPT654133](#)
[2PA3](#) [SW53AA2](#) [302561](#) [LW2L-A0](#) [3E-12.0](#) [468-10243-001](#) [51-030.005](#) [JM-13](#) [JS-10120](#) [JS-138-B](#) [JS-143-B](#)