

MICRO SWITCH

A DIVISION OF MINNEAPOLIS-HONEYWELL REGULATOR COMPANY
 PROSPERITY, ALABAMA
 FED. MFR. CODE 91929

ACTUATOR - SWITCH

CATALOG LISTING
MC2711H

(M) MC2711H
 ISSUE 2

MC2711H
 PAGE 1 OF 1

M

DRAWING
 NUMBER

8

ISSUE

8

REPLACES

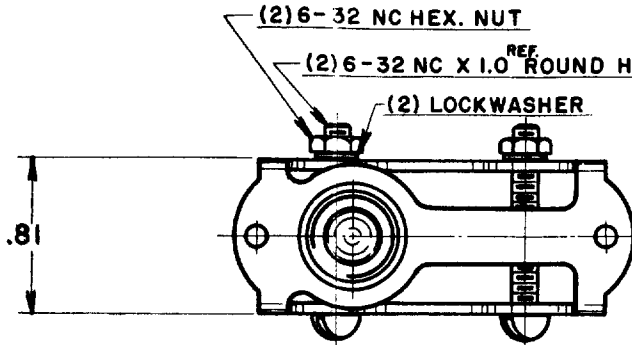
RELEASE NO.

CHECK

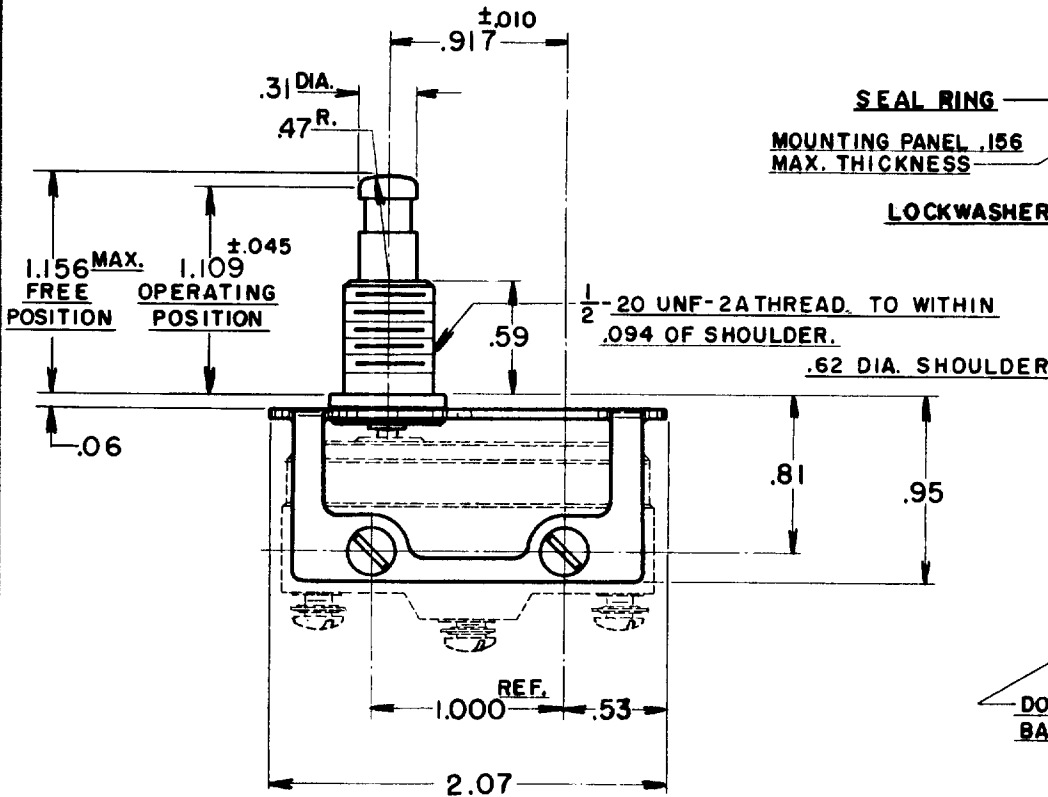
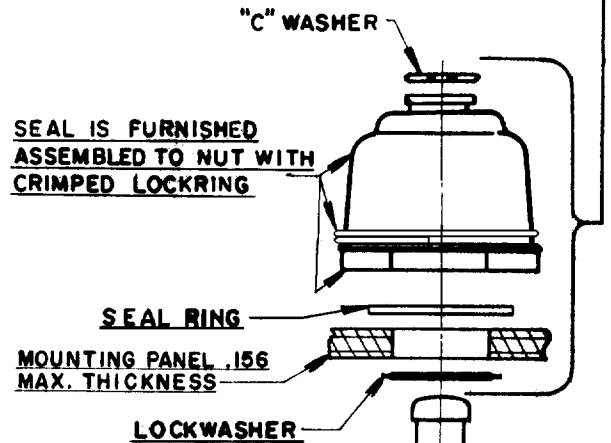
CHECK

CHECK

CHECK



THESE PARTS ARE SUPPLIED UNASSEMBLED
 IN PACKAGE WITH EACH ACTUATOR



DOTTED LINES INDICATE
 BASIC SWITCH IN PLACE.

NOTE -
 - SCREWS, NUTS, AND LOCKWASHERS FURNISHED UNASSEMBLED.

THIS DRAWING COVERS A PROPRIETARY ITEM AND IS THE PROPERTY OF MICRO SWITCH. A DIVISION OF HONEYWELL. THIS DRAWING IS NOT TO BE COPIED OR USED WITHOUT THE APPROVAL OF MICRO SWITCH.

CHARACTERISTICS

FULL OVERTRAVEL FORCE --- 6 LBS. MAX.

OVERTRAVEL --- .188 MIN.

ELECTRICAL DATA

CONTACT ARRANGEMENT

BREAK DISTANCE

SCALE FULL

DO NOT SCALE PRINT

UNLESS OTHERWISE SPECIFIED
 DIMENSIONS ARE IN INCHES
TOLERANCES ARE:

ONE PLACE (.0) $\pm .030$
 TWO PLACE (.00) $\pm .015$
 THREE PLACE (.000) $\pm .005$
 ANGLES

WEIGHT

RASTER

DRAWN

R. L. Z. 21 SEPT. 56

R. L. Z. 21 SEPT. 56

FO-50378

REVISIONS	CHECK
A CO 8520 R. L. Z. 21 SEPT 56	✓
B CO13082 O M W 12 MAR 59	✓
C CO38152 K P K 24 JAN 77	✓
D CO74163 D H D 21 APR 93	✓
E CO95149 DLM 8 JUNE 99	✓
F 0040139 SS 29MAY08	✓

C.N.T. 25 SEP 56
 G.C.N. 28 SEPT 58

X-ON Electronics

Largest Supplier of Electrical and Electronic Components

Click to view similar products for [Switch Actuators](#) category:

Click to view products by [Honeywell](#) manufacturer:

Other Similar products are found below :

[LW1B-A0L](#) [LW1B-M0](#) [680-4000-00](#) [704.012.618](#) [704.411.018I](#) [704.412.0](#) [704.633.1](#) [704.730.1](#) [704.733.0](#) [84-1221.7](#) [862.8102](#) [G6083](#)
[9PA24](#) [A0107X](#) [A019307](#) [ADC-418G](#) [12MA7](#) [ASDHYY-B](#) [HW1F-3G](#) [HW1M-L2222](#) [HW4S-31L](#) [200-.704-00](#) [JS-10008](#) [JS-10083](#) [JS-10118](#) [JS-10133](#) [JS-10277](#) [JS-10389](#) [JS-150](#) [JS-552](#) [JS-555](#) [JS-68](#) [JS-6-B](#) [JS-91](#) [JS-94](#) [22-211.011](#) [9001KXSDC](#) [92-458.500](#) [SAPT654133](#)
[2PA3](#) [SW53AA2](#) [302561](#) [LW2L-A0](#) [3E-12.0](#) [468-10243-001](#) [51-030.005](#) [JM-13](#) [JS-10120](#) [JS-138-B](#) [JS-143-B](#)