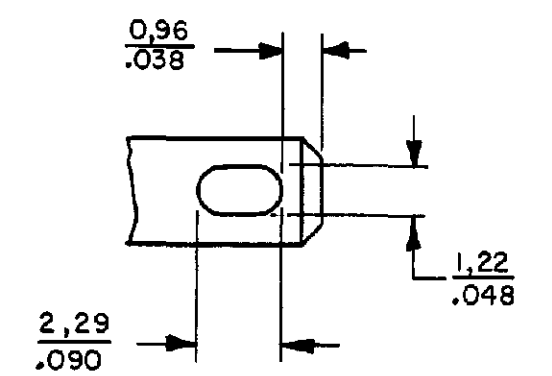
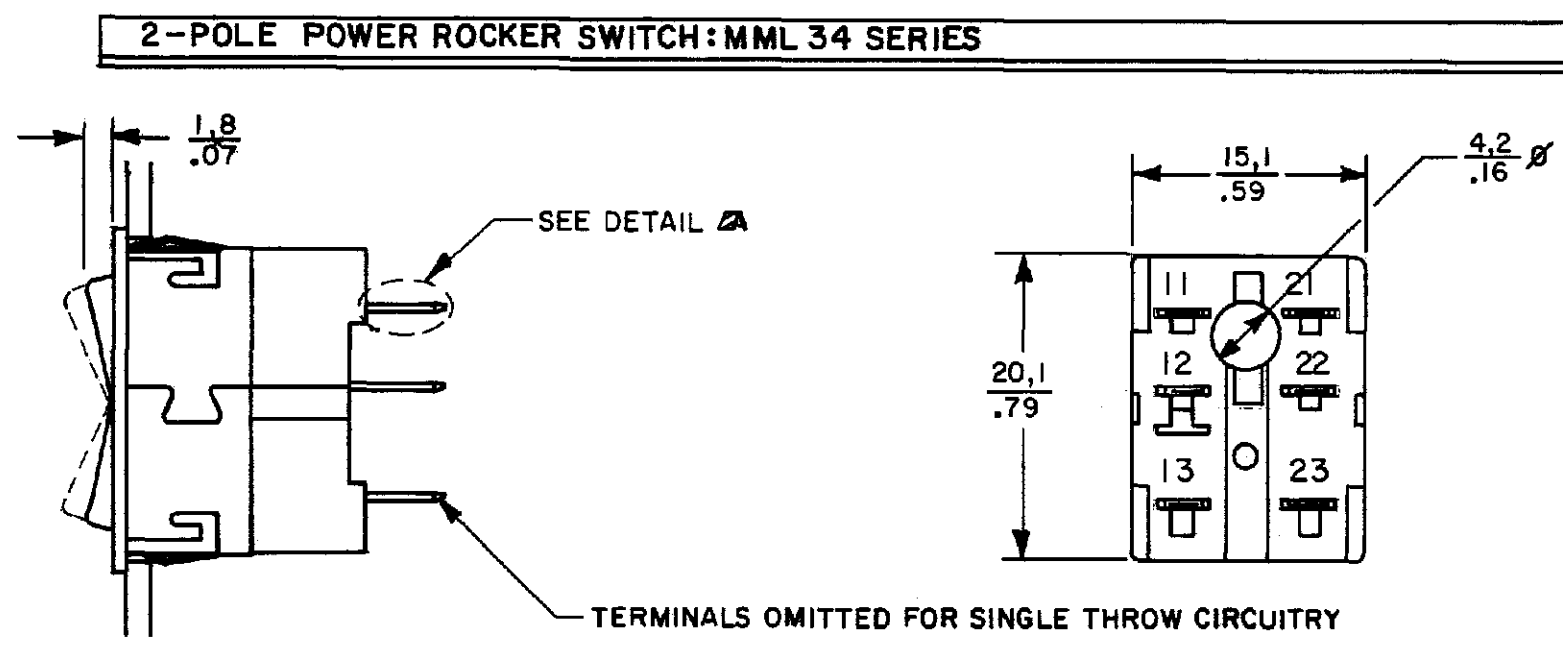
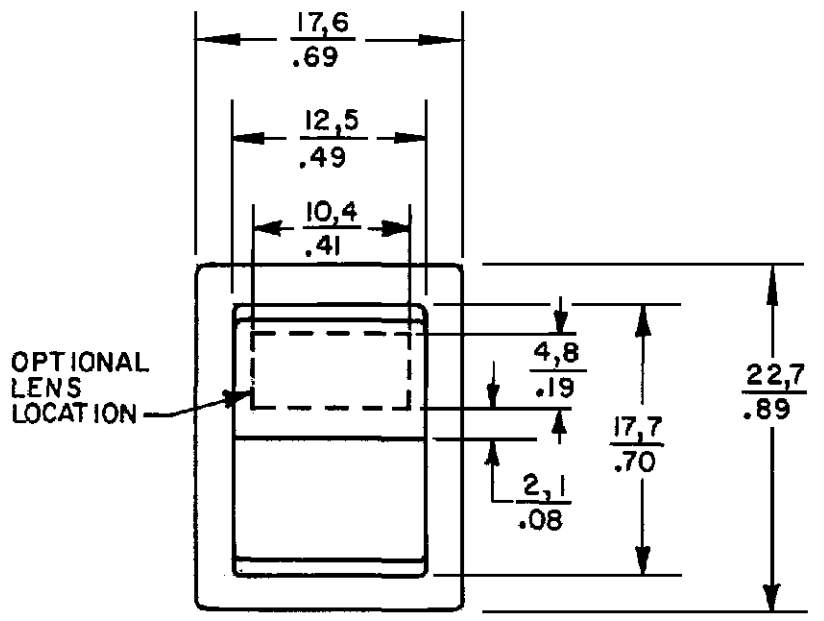
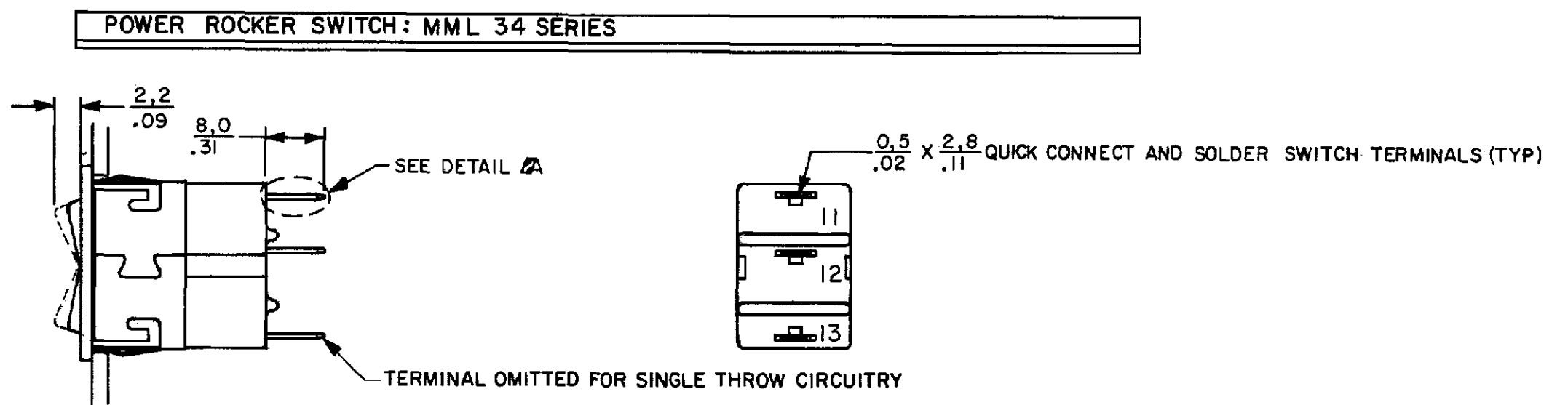
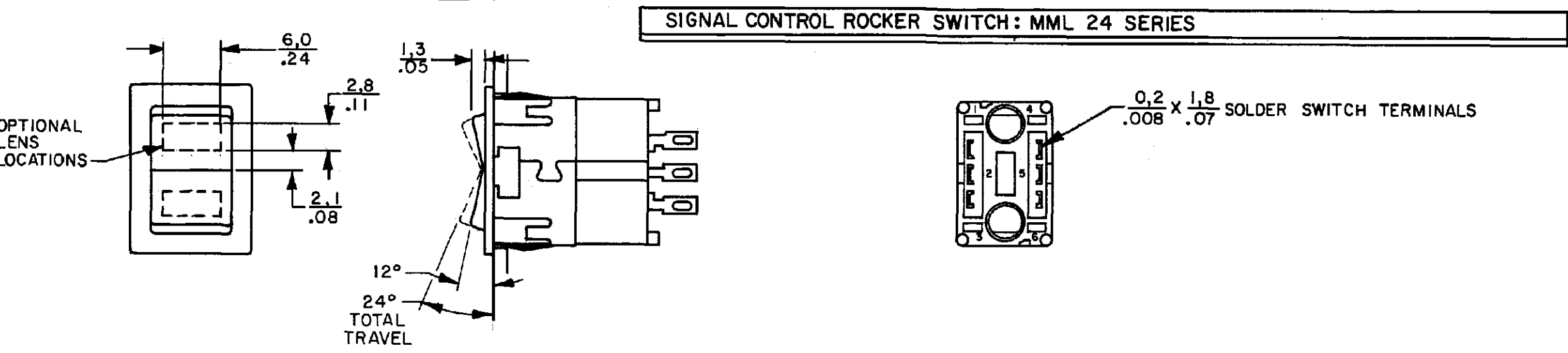
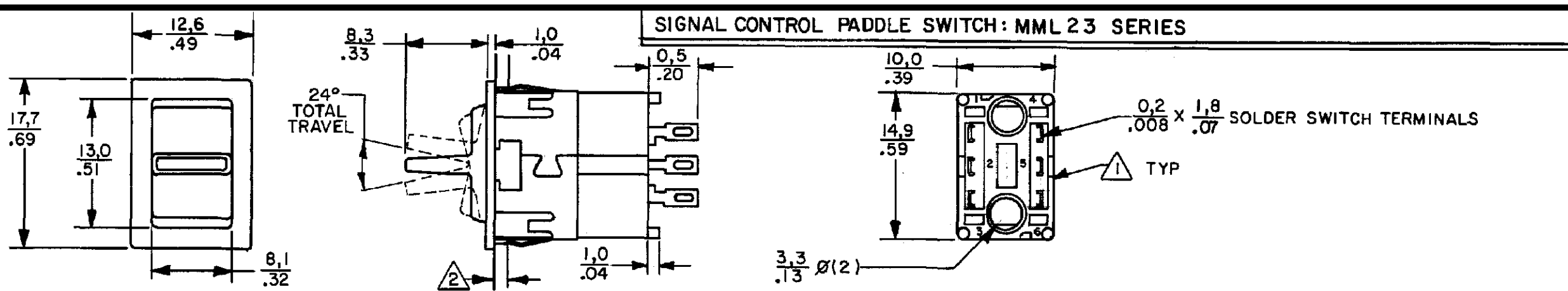
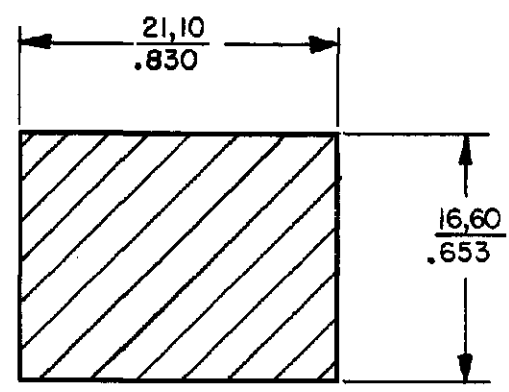
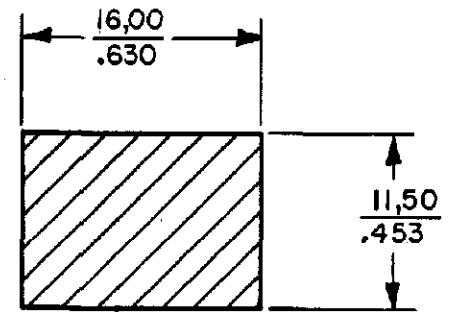


CATALOG LISTING
MML 23 24 33 34 SERIES CHART 2
 PAGE 1 OF 1
 ISSUE 7
 REVISIONS
 A PR-14007
 B C096297
 C 200199
 D 201419
 E 201822
 29 NOV 00
 RASTER
 FO-52863-A
 S L B I 21 FEB 84



DETAIL A
 (REFERENCE DIMENSIONS)
 SCALE 5:1



(2 POLE POWER)

PANEL CUTOUTS

NOTE
 △ MICRO SWITCH IDENTIFICATION ON THIS SIDE OF HOUSING
 △ 1.19/.047 TO 2.39/.094 RECOMMENDED PANEL THICKNESS

THIRD ANGLE PROJECTION			
SCALE 2 TO 1			
DO NOT SCALE PRINT			
TOLERANCES			
APPLY TO DESIGN UNITS. CONVERSIONS ARE ONLY FOR REFERENCE. UNLESS NOTED, TOLERANCES ARE ±			
DIM.	TOL.	DIM.	TOL.
mm	mm/in	in	mm/in
NO PLACES	x	1/64	x .x
ONE PLACE	x .x	0.0015	x .xx
TWO PLACES	x .xx	0.0005	x .xxx
THREE PLACES	x .xxx	0.0001	x .xxxx
ANGLES			
DESIGN UNITS		WEIGHT	
SI METRIC <input type="checkbox"/>		US CUSTOMARY <input checked="" type="checkbox"/>	

THIS DRAWING COVERS A PROPRIETARY ITEM AND IS THE PROPERTY OF MICRO SWITCH, A DIVISION OF HONEYWELL. THIS DRAWING IS NOT TO BE COPIED OR USED WITHOUT THE APPROVAL OF HONEYWELL.

MICRO SWITCH
 FREEPORT, ILLINOIS, U.S.A.
 A DIVISION OF HONEYWELL
 FED. MFG. CODE 91929

MML ROCKER & PADDLE SWITCH SERIES FOR PANEL MOUNTING

CATALOG LISTING
MML 23 24 33 34
SERIES CHART 2

MASTER REDUCED

X-ON Electronics

Largest Supplier of Electrical and Electronic Components

Click to view similar products for [Pushbutton Switches](#) category:

Click to view products by [Honeywell](#) manufacturer:

Other Similar products are found below :

[8940K2012](#) [LW1L-M1C10V-A](#) [LW1L-M1C70-A](#) [LW2L-A1C20M-GD](#) [LW2L-M1C20M-A](#) [60324L](#) [M22-D-R-GB0/K11](#) [M7E-HRN2](#)
[67021K512](#) [67081K512X](#) [701PB580](#) [7190K101](#) [7199K101](#) [810K12910](#) [810KSV30B](#) [MML21EA2ADK](#) [MML21KA3ABK](#)
[MML23KA3AC05K-001](#) [MML23KW3AA01W](#) [8418K2](#) [8442K3](#) [8450K1](#) [860K11911T01A](#) [861901](#) [861K11911T01A07](#)
[861K13810T00A14](#) [861K13911](#) [8646AB6X718UL](#) [8646ABUL](#) [9001KXRK](#) [907AYY100](#) [PMHD155A1](#) [95-313.000](#)
[9533CD4+U574+U4922](#) [95-414.000](#) [99-450.837](#) [99-453.837](#) [PV3H2B0NN-341](#) [1203MRA](#) [A22NZBGANGA](#) [A22NZBMMNGA](#)
[A22NZBNANGA](#) [A22NZMPATRA](#) [A2PMA1X03EC56](#) [A3A-5123-02](#) [A3A-7140](#) [A3A-7310](#) [A3A-7340](#) [A3U-TMW-A2C-5M](#) [A595](#)