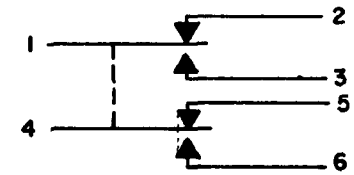


MICRO SWITCH
 FREEPORT ILLINOIS, U.S.A.
 A DIVISION OF HONEYWELL
 FED. MFG CODE 81928

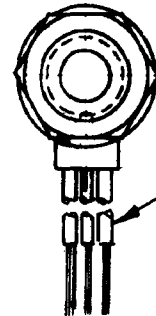
SWITCH-ENCLOSED

CATALOG LISTING
602EN1-6

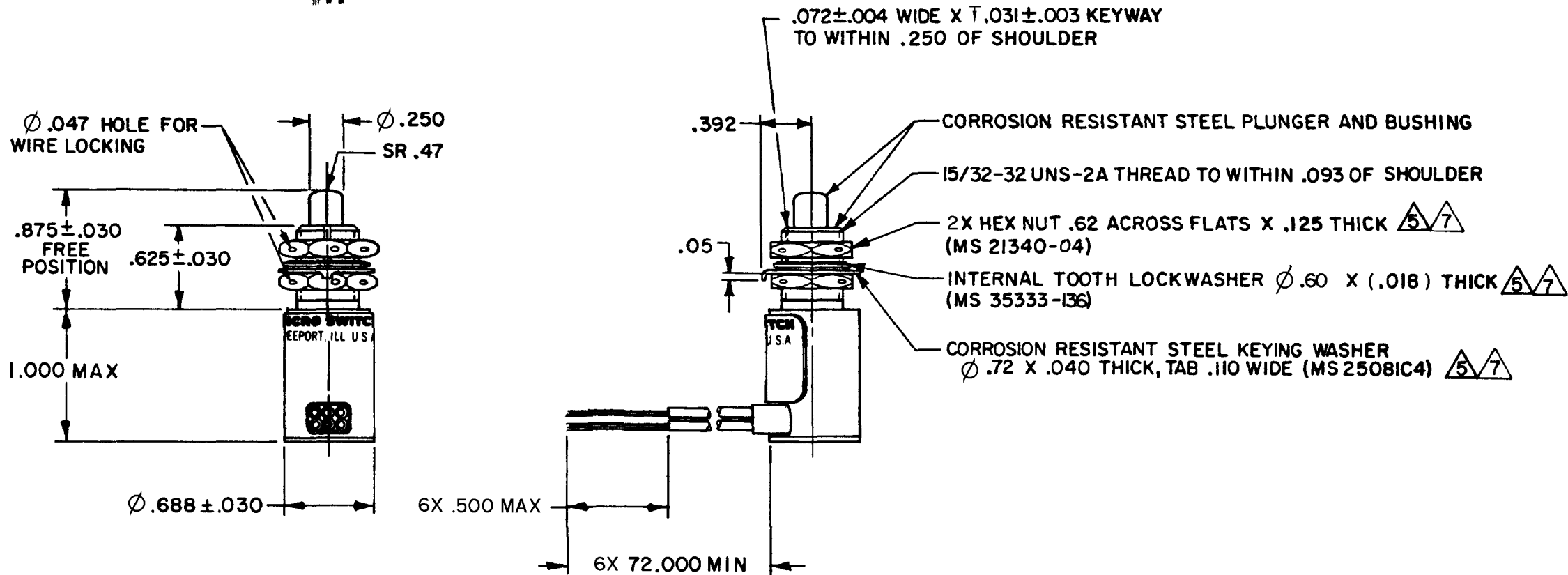
MILITARY STDS PART NO.
 MS 27240-1



CIRCUIT DIAGRAM



6X NO.20 WIRE LEAD PER MIL-W-22759/7 MARKED WITH CIRCUIT IDENTIFICATION AND WIRE GAGE (1-20,2-20,ETC) PER MIL-W-5088



ANSI Y14.5M-1982 APPLIES

THIS DRAWING COVERS A PROPRIETARY ITEM AND IS THE PROPERTY OF MICRO SWITCH, A DIVISION OF HONEYWELL. THIS DRAWING IS NOT TO BE COPIED OR USED WITHOUT THE APPROVAL OF MICRO SWITCH.

THIRD ANGLE PROJECTION

SCALE FULL

DO NOT SCALE PRINT

CHARACTERISTICS	
OPERATING FORCE	6-12 LB
FULL OVERTRAVEL FORCE	30 LB MAX
RELEASE FORCE	4 LB MIN
P-RETRAVEL	.040 MAX
DIFFERENTIAL TRAVEL	.020 MAX
OVERTRAVEL	.125 MIN

ELECTRICAL DATA		
CONTACT ARRANGEMENT 2X S P D T		
LOAD	28 VDC	
	SEA LEVEL	50,000 FT.
RES	7	7
IND	4	2.5
MOTOR	4	4

TOLERANCES			
APPLY TO DESIGN UNITS. CONVERSIONS ARE ONLY FOR REFERENCE UNLESS NOTED. TOLERANCES ARE ±			
DIM.	TOL.	DIM.	TOL.
mm	mm/in	in	mm/in
NO PLACES	X	1/64	X X X 0.01/00
ONE PLACE	X,X	0.4/018	X X X 0.38/018
TWO PLACES	X,XX	0.16/008	X X X 0.13/008
THREE PLACES	X,XXX		X X X 0.13/008
ANGLES			

DESIGN UNITS: SI METRIC US CUSTOMARY
 RAW MATERIAL-COMMERCIAL STANDARD
 MICRO SWITCH STANDARDS APPLY
 DIMENSIONS ARE TO BE NET BEFORE
 PROTECTIVE COATINGS ARE APPLIED

WEIGHT .50 LB

NOTES

- 1 - CORROSION RESISTANT STEEL ENCLOSURE
 - 2 - SWITCH SEALED PER MIL-S-8805 SYMBOL 4
 - 3 - COINCIDENCE OF OPERATING AND RELEASING POINTS: .010 INCH OF PLUNGER TRAVEL
 - 4 - CIRCUIT DIAGRAM, CATALOG LISTING, DATE CODE, FED. MFG. CODE AND MILITARY STANDARDS PART NO. MS27240-1 ARE SHOWN ON NAMEPLATE
- REPLACEMENT MOUNTING HARDWARE - PACKET 19PA9
 APPLICATION INFORMATION ONLY
 HARDWARE MAY BE PACKAGED UNASSEMBLED PER MIL-S-8805

602EN1-6
 PAGE 1 OF 1
 M
 DRAWING NUMBER
 ISSUE 21
 REVISIONS
 A NEW DWG 0044888
 13 NOV 78
 B 0047573
 J A P
 7 AUG 80
 C 0049806
 D J W
 25 SEP 81
 D 0057370
 J A P
 14 MAY 82
 E 0059234
 21 MAR 87
 F 0094050
 MPO
 JAN 12 99
 FO-82881-A
 DRAWN
 T R F 13 NOV 78
 CHECK
 G L H 27 NOV 78
 CHECK
 SR-9830
 RELEASE NO.
 REPLACES

X-ON Electronics

Largest Supplier of Electrical and Electronic Components

Click to view similar products for [Limit Switches](#) category:

Click to view products by [Honeywell](#) manufacturer:

Other Similar products are found below :

[6LS2-4PG](#) [5ML1-E1](#) [5ML31](#) [LZG1](#) [LZL1-6C](#) [622EN114-R](#) [622EN18-6](#) [622EN224-6B](#) [622EN230](#) [622EN237-R](#) [622EN69-3](#) [622EN85-RB](#)
[MA-10019](#) [6PA109](#) [7LS51](#) [83547001](#) [83725002](#) [83830001](#) [83840001](#) [83840701](#) [83841001](#) [83870104](#) [83881140](#) [8AS42](#) [8LS10](#) [8LS125-](#)
[4PG](#) [8LS152-4PGN20](#) [914CE16-3A](#) [914CE16-AQ](#) [914CE3-3L1](#) [915PA10](#) [91MCE16-P2O](#) [924CE16-Y3](#) [924CE1-S6](#) [924CE1-T25A](#)
[924CE1-T3](#) [924CE1-T9A](#) [924CE2-T9](#) [924CE31-Y20-X5](#) [924CE31-Y3L1](#) [GL-10054](#) [GL-85710](#) [GL-85714](#) [GLAB26J2B](#) [GLDB03C-6](#)
[GLZ324](#) [PS21R-NT11N7-YK0](#) [D4A-1106N](#) [D4A1201N](#) [D4A-3E02N](#)