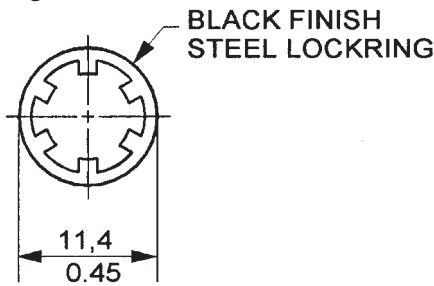


ACCESSORIES SELECTION GUIDE

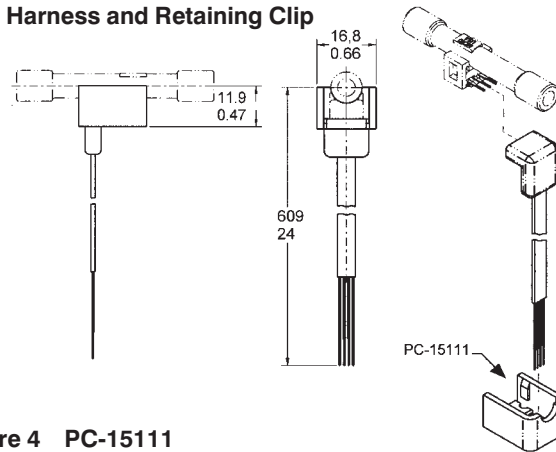
Catalog Listing	Description	Drawing
PC-10182	Steel locking (included with Port Style A, 1 x 4 terminals only) 22, 24, 26PC only	Figure 1
PC-15111	Cable retaining clip for large port Flow-Through sensor only	Figure 4
PC-15110	Single hole plastic bracket	Figure 3
PC-15015	Mounting bracket	Figure 6
PC-15132	Plastic Mounting bracket	Figure 5
20PCWHRC	Flow-Through wire harness and retaining clip	Figure 2
26PCBKT	Mounting bracket for large port Flow-Through sensor only	Figure 7
PC-15202	Mounting bracket for Luer Port	Figure 8
PC-15204	Mounting bracket for Straight Port	Figure 9

Unamplified

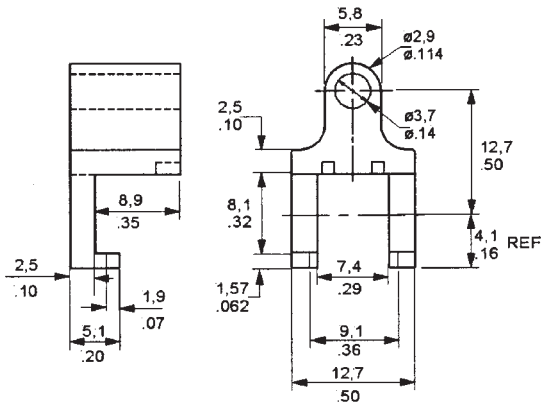
**Figure 1 PC-10182
Steel Lockring**



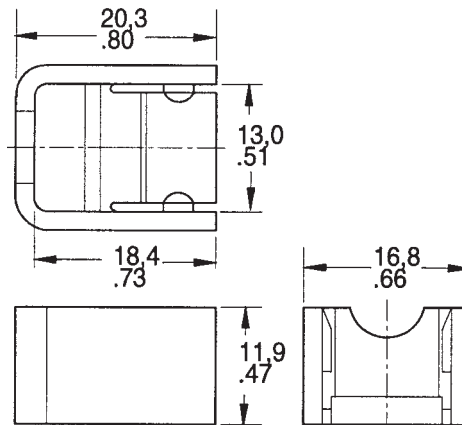
**Figure 2 20PCWHRC
Wire Harness and Retaining Clip**



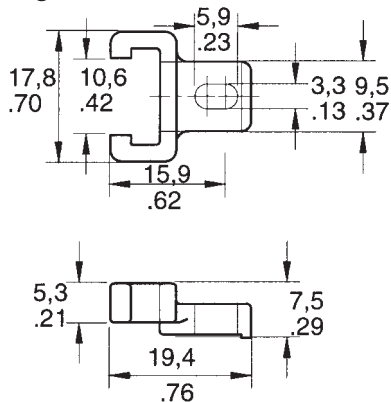
**Figure 3 PC-15110
Single Hole Plastic Bracket**



**Figure 4 PC-15111
Cable Retaining Clip**



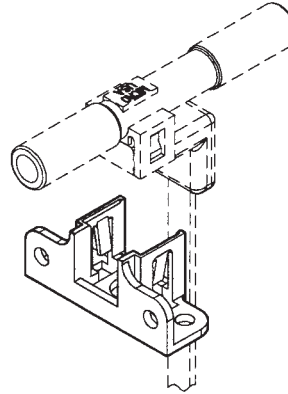
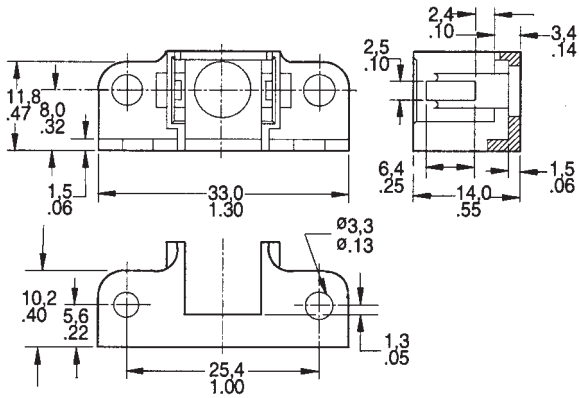
**Figure 5 PC-15132
Plastic Mounting Bracket**



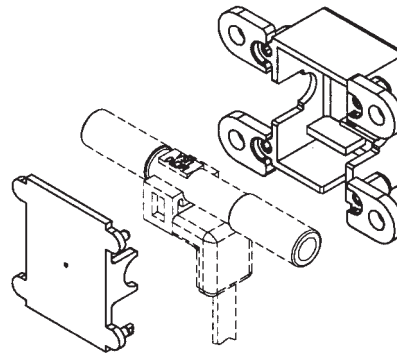
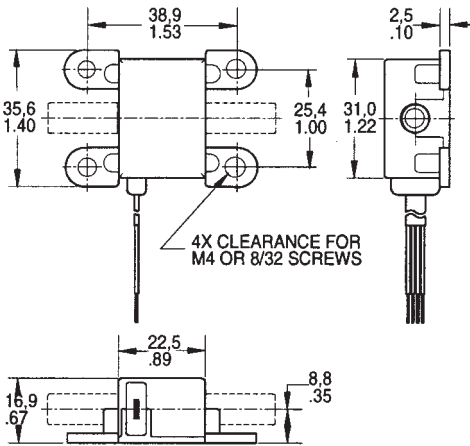
Pressure Sensors Accessories

22/24/26PC Series

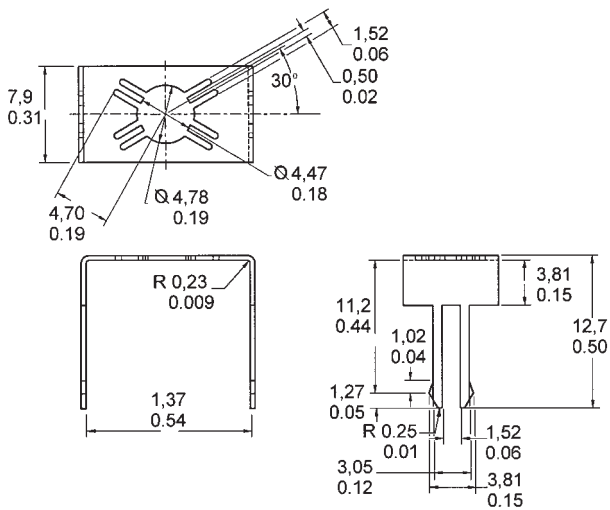
**Figure 6 PC-15015
Mounting Bracket**



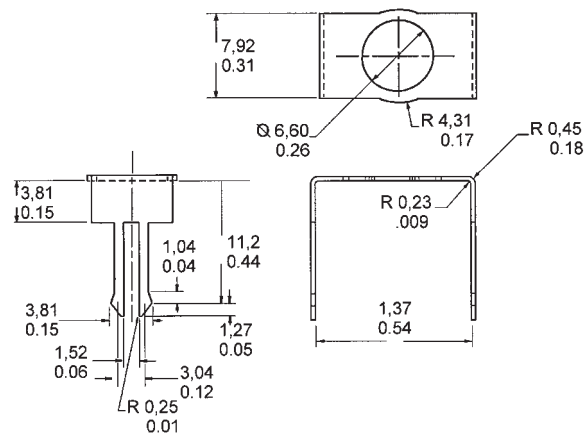
**Figure 7 26PCBKT
For use with N, P Large Ports**



**Figure 8 PC-15202
For use with C Luer Port**



**Figure 9 PC-15204
For use with A Straight Port**



Note: PC-15202 and PC-15204 are Printed Circuit Board mountable and solderable; designed to be used in a .063 thick PC Board with a recommended mounting hole size of $.125 \pm .005$ in.

X-ON Electronics

Largest Supplier of Electrical and Electronic Components

Click to view similar products for [Sensor Fixings & Accessories](#) category:

Click to view products by [Honeywell](#) manufacturer:

Other Similar products are found below :

[F03-01](#) [SUS304 BINIL](#) [8000-5130](#) [FH-AP1](#) [PH-1-10M](#) [PH-1-20M](#) [PH-2-30M](#) [AC201](#) [R4](#) [ADI-LC3S](#) [EC18-WELL](#) [PBT420-100R](#) [PC-15015](#) [K35-4](#) [A-1923](#) [SS-12143](#) [STA12](#) [AP4-T](#) [PH-1-50M](#) [R6](#) [D01051301](#) [43912557-020](#) [MF-1 D=3.2](#) [BGN-035](#) [E39-L7](#) [ZX-SB11](#)
[D01070602](#) [606072](#) [606075](#) [Y92ES12PVC4A10ML](#) [Y92ES12PVC4S5ML](#) [SA9Z-F11](#) [Z49-SF1](#) [ZFV-XMF2](#) [E4R-R12A-CS3M010](#) [28810-2](#)
[ZX-SW11E V3](#) [CCS-PL-LDR2-70](#) [E4R-R12A-CS3M020](#) [BS-1T](#) [CHITAN](#) [F03-01 CHITAN](#) [CCS-PD2-1012](#) [ZX-SFW11E V3](#) [PH-2-90M](#)
[PH-2-5M](#) [XMLZL008](#) [AC244](#) [28810-1](#) [PH-1-40M](#) [SS-12225](#) [32043-500](#)