



0.5 W Conductive Plastic
Potentiometers
392 Series, RV6 Series



392 Series, RV6 Series 0.5 W Conductive Plastic Potentiometers

Potentiometers convert rotary motion into a change of resistance, supplying a smooth transition of voltage or current levels. The resulting voltage output may be used to control position transducers in a wide variety of potential applications.

The 392 Series and RV6 Series 0.5 W Plastic Potentiometers are economical devices designed to meet wave soldering process requirements for mounting to printed circuit boards (PCBs). All versions contain an internal shaft seal for moisture protection and comply with PCB washability test requirements and MIL-R-94 standards where appropriate. Termination types are PC pin or solder hook, both are solder-dipped.

These small, single turn devices have a 3,18 mm [0.125 in] diameter shaft that is available in a range of lengths. Most configurations have either a standard or split locking 1/4-32 NEF-2A bushing in panel seal or no panel seal versions. The shaft/bushing materials are nickel-plated brass or thermoplastic. They are available in metal/metal, plastic/plastic, or a combination of the two. Custom designs are available upon request.

The 392 Series and RV6 Series are available in resistances from 100 Ohm to 5 MOhm, inclusive. Tapers include linear, log, and antilog to meet a wide range of application requirements.

RV6 Series devices meet requirements of MIL-R-94.

Key Features and Benefits

- **Wave solderable:** Allows the devices to be automatically soldered on a PCB using the wave soldering process instead of being manually soldered, saving time and yielding consistent results
- **PCB washable:** Permits the PCB board containing the soldered devices to be washed after soldering, saving time and yielding consistent results
- **Cost-effective:** Supplies good performance at a reasonable price
- **Wide range of resistance values (100 Ohm to 5 MOhm, inclusive):** Promotes flexibility in the applications
- **Small package size:** Allows use where space constraints may be present

Potential Applications

INDUSTRIAL/COMMERCIAL

- Audio and visual equipment (i.e., guitars, sound mixers, projectors)
- Light switches
- Hand-held equipment (e.g., multimeters and mobile monitoring devices)
- Test and measurement equipment (e.g. oscilloscopes)
- Communications equipment (e.g. walkie-talkies)
- Thermostats

MEDICAL

- Hand-held equipment (e.g., mobile monitoring devices)
- Laboratory and diagnostic equipment

TRANSPORTATION

- Vehicle manual controls (e.g. joysticks)

Table of Contents

General Specifications	3-6
General Configuration Guide	7
392 Series:	
Specific Configurations	8-10
Order Guides	11-21
RV6 Series:	
Specific Configurations	22
Order Guides	23-27
Mounting Hardware	back page
Additional Information.	back page

WAVE SOLDERABLE • WASHABLE • COST-EFFECTIVE

General Specifications

Table 1. Electrical Specifications

Characteristic	Parameter	
	392 Series	RV6 Series
Maximum working voltage	350 Vdc max.	
Dielectric strength	750 Vac for 60 s at 1 mPa [atm], 350 Vac for 60 s at 11,5 kPa [3.4 inHg]	
Power rating: solder hook	0.5 W at 70 °C [158 °F], derated to 120 °C [248 °F] 0.25 W	
Taper	linear (S), linear (special), log (Z), reverse log (RZ)	linear (S), log (Z)
CRV ¹ : linear tapers log, reverse log tapers	1.5% max. of total resistance	
Resistance: linear tapers log, reverse log tapers	100 Ohm to 5 MOhm 500 Ohm to 2 MOhm	100 Ohm to 1 MOhm 500 Ohm to 1 MOhm
Resistance tolerance: linear tapers: 100 Ohm to 1 MOhm >1 MOhm log, reverse log tapers: 500 Ohm to 250 kOhm >250 kOhm	±10% ±20% ±10% ±20%	
End resistance	4 Ohm max. at each end of rotation	
Linearity	±5% independent	
Electrical rotation: nominal effective	265° (+0°/-10°) 295° (±5°)	

¹Contact resistance variation is the maximum momentary change in contact resistance that occurs when the wiper is moved from one location to another location. The larger this change, the more difficult it is to set the trimmer potentiometer and the more unstable the long term setting will be.

General Specifications

Table 2. Mechanical Specifications

Characteristic	Parameter	
	392 Series	RV6 Series
Shaft:		
diameter		3,18 mm [0.125 in]
material:		
metal		nickel-plated brass
plastic		thermoplastic
Bushing:		
diameter/thread size		1/4-32 NEF-2A
material:		
metal		nickel-plated brass
plastic		thermoplastic
Termination base material		thermoset plastic
Termination types:		
solder hook material		brass, solder (tin-lead) dip finish
PC pin:		
PCB fit		2,54 mm [0.100 in] grid spacing, 0,86 mm [0.034 in] holes
material		brass, solder (SAC305) dip finish
Cover material		stainless steel
Housing material		thermoplastic
Base material		thermoset
Mounting hardware material:		
jam nut		nickel-plated brass
mounting nut		nickel-plated brass
lock washer		nickel-plated phospher bronze
panel O-ring		Buna-N
Sealant		epoxy
Operating torque		3,5 mN m to 14 mN m [0.5 in-oz to 2.0 in-oz]
Stop torque		34 N m [3 in-lb]
Weight (approx.):		
metal shaft and metal bushing		7,09 g [0.25 oz]
plastic shaft and plastic bushing		2,84 g [0.1 oz]

Table 3. Environmental Specifications

Characteristic	Parameter	
	392 Series	RV6 Series
Operating temperature	-55 °C to 120 °C [-67 °F to 248 °F]	
Base material	-40 °C to 120 °C [-40 °F to 248 °F]	
Rotational life	tested to 50,000 cycles	
Soldering	—	MIL-R-94

Table 4. Maximum Percent Temporary Resistance from 25 °C [77 °F]

Nominal Resistance	Temperature						
	-55 °C [-67 °F]	-40 °C [-40 °F]	0 °C [32 °F]	25 °C [77 °F]	55 °C [131 °F]	85 °C [185 °F]	120 °C [248 °F]
100 Ohm	±5.0	±4.0	±1.5	0	±1.5	±2.0	±3.5
10 kOhm	+7.0	+5.5	+2.0	0	±1.5	±2.5	±5.5
100 kOhm	+8.0	+6.0	+2.5	0	±2.0	±3.5	±6.0
1 MOhm	+10.0	+8.0	+3.0	0	±2.5	±4.0	±7.5

General Specifications

Figure 1. Power Derating Curve

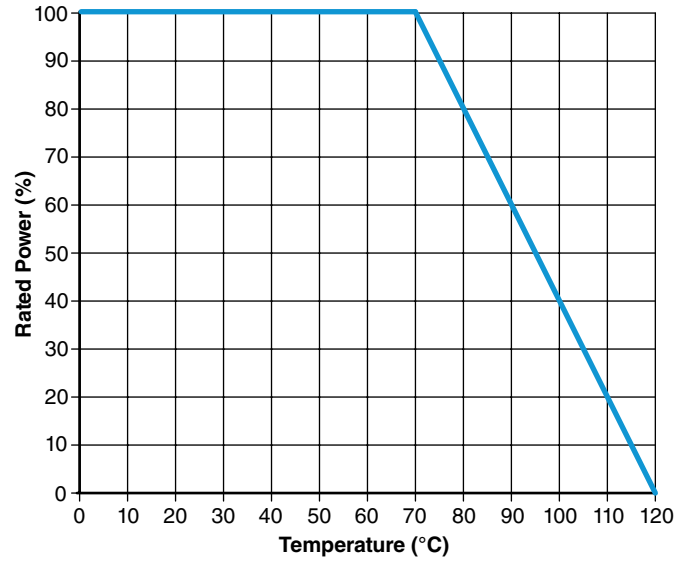
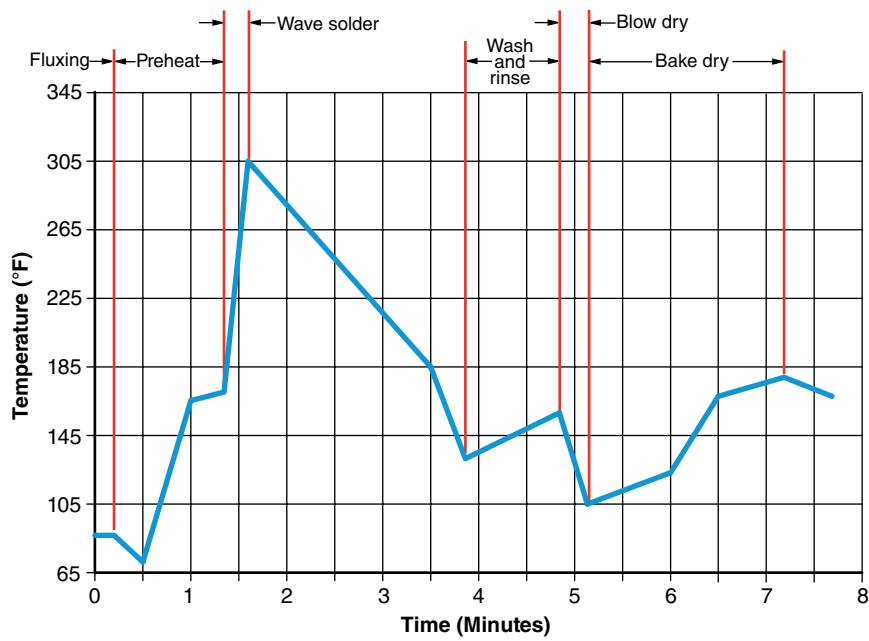


Figure 2. Recommended Wave Solder and Board Wash Parameters

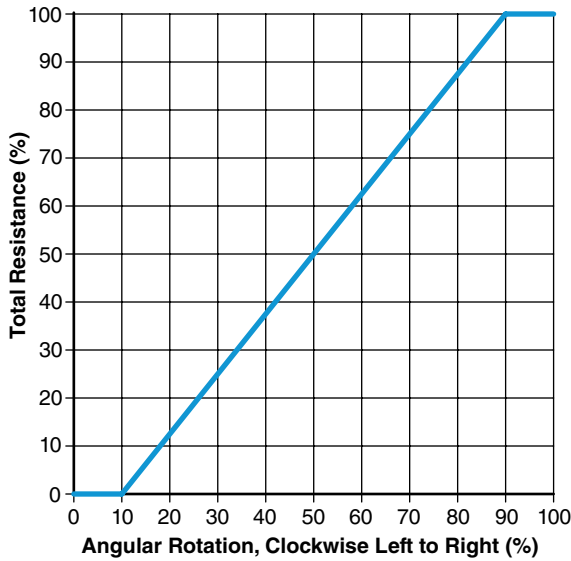


Process Limits	Temperature	Time
Preheat, max.	91 °C [195 °F]	1 min.
Solder, max.	288 °C [550 °F]	—
Differential after solder in wash (3/4T), max.	22 °C [72 °F]	—
Wash	66 °C to 71 °C [150 °F to 160 °F]	1.5 min.
Dry	47 °C to 104 °C [116 °F to 220 °F]	2 min.

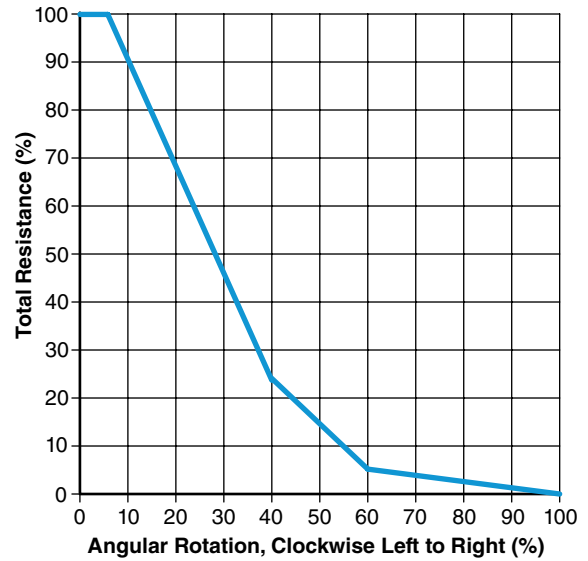
General Specifications

Figure 3. Electrical Taper Diagrams (For reference only.)

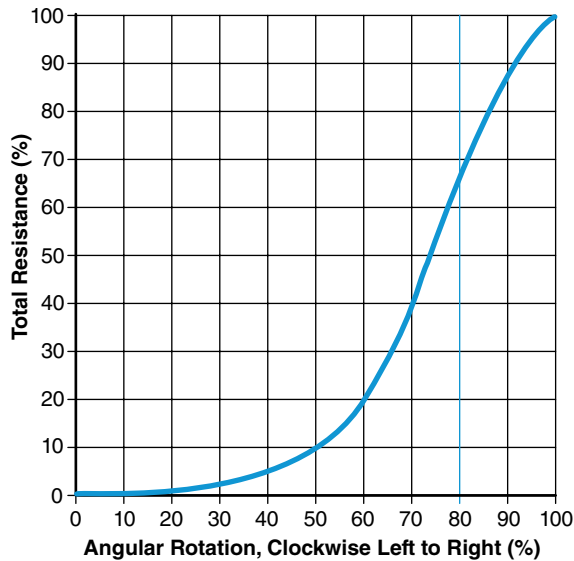
Linear (S) The change in resistance is directly proportional to the degree of rotation (right-hand or left-hand).



Linear (Special) Attains 50% resistance value at 50% of clockwise rotation (left-hand).



Log (Z) Attains 10% resistance value at 50% of clockwise rotation (left-hand).



Reverse Log (RZ) Attains 10% resistance value at 50% of clockwise rotation (right-hand).

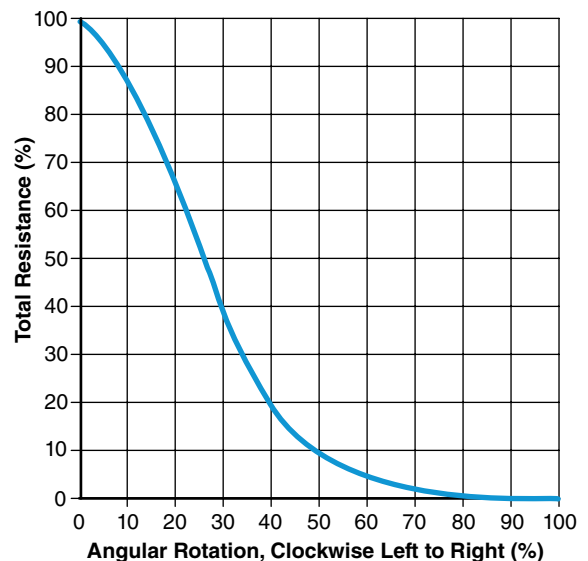
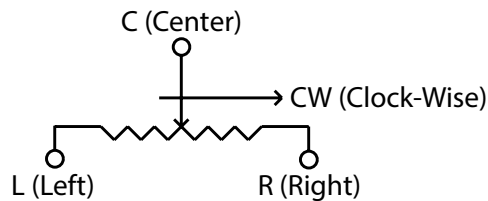











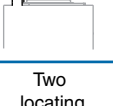

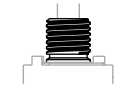






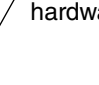


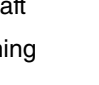
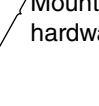



Figure 4. Functional Schematic



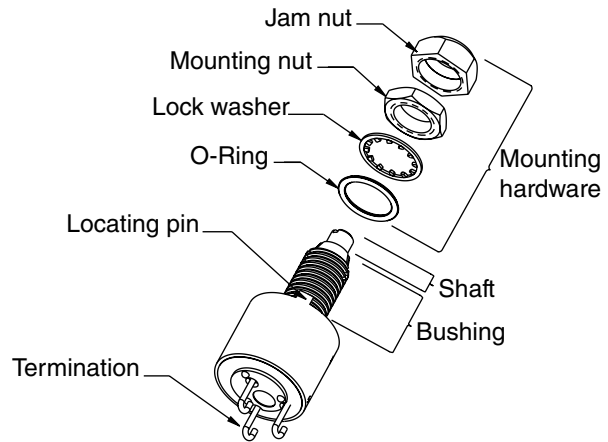
General Configuration Guide

Figure 5. General Configuration Guide

This figure shows possible 392 Series and RV6 Series configurations. Not all combinations may be available, please contact Honeywell. See the Order Guides for each series on subsequent pages for currently available catalog listings.

Product Series	Bushings Type and Length	Switch	Shaft Type	Shaft Length	Resistance		Electrical Taper and Resistance Tolerance	Anti-Rotation (AR) Locating Pin	Termination Type																		
					Significant Digit	Number of Zeros that Follow																					
392 Series, RV6 Series 0.5 W Conductive Plastic Potentiometers	Metal: 1/4-32 NEF-2A: Panel seal: Standard (6,35 mm [0.25 in])	None	Metal: Ø3,18 mm [0.125 in]: Flatted	9,53 mm [0.325] ¹	10 Ohm	0	Linear: 10% 20% Linear special Log: 10% 20% Reverse Log: 10% 20% Custom	No locating pins	Solder hook																		
				12,7 mm [0.50 in] ¹	15 Ohm	1																					
	Split locking (12,7 mm [0.50 in])		Round	15,88 mm [0.625 in]	20 Ohm	2																					
				19,05 mm [0.75 in]	25 Ohm	3							One locating pin														
	No panel seal: Standard (6,25 mm [0.25 in])		Slotted	22,23 mm [0.875 in]	50 Ohm	4									Two locating pins												
				31,75 mm [1.25 in]	50 Ohm	5												Custom									
	Split locking (12,7 mm [0.50 in])		Slotted	50,8 mm [2.00 in]	Custom															Custom							
				63,5 mm [2.50 in]																							
	Unthreaded (6,25 mm [0.25 in])		Custom	Custom	¹ Applies to 6,25 mm [0.25 in] bushings only.																	Custom					
																											
	Plastic: 1/4-32 NEF-2A: Standard		Slotted	Plastic: Ø3,18 mm [0.125 in]: Slotted	Custom																			Custom			
				Custom																							
	Trimmer		Custom	Custom	Custom																					Custom	
																											

General 392 Series, RV6 Series Terminology



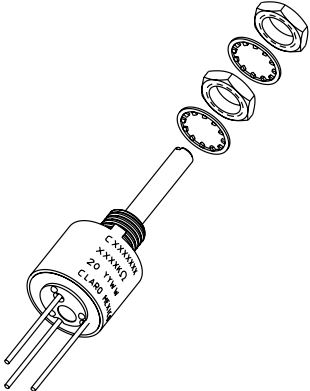
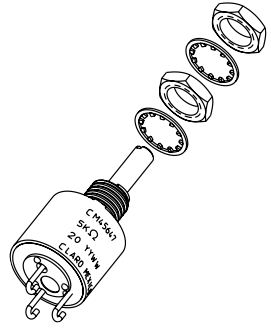
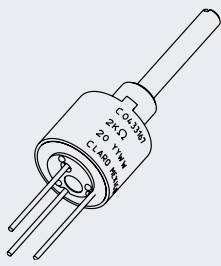
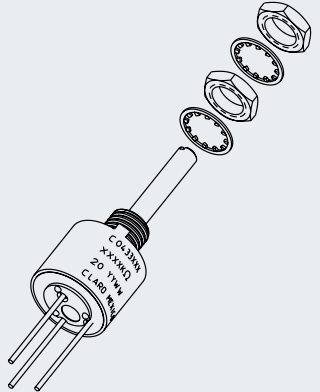
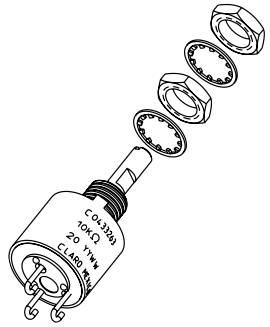
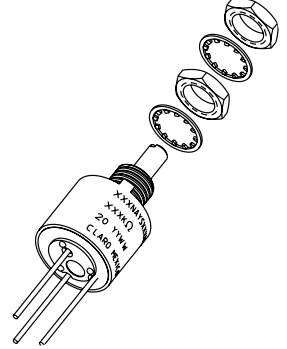
392 Series Specific Configurations

Table 5. 392 Series Metal Shaft and Metal Bushing Specific Configurations

Shaft Type	Bushing Type	AR Pin	Termination	Configuration with Associated Hardware	Shaft Type	Bushing Type	AR Pin	Termination	Configuration with Associated Hardware
392-A (See Table 392-A on p. 11.)					392-B (See Table 392-B on p. 11.)				
flatted	panel seal, standard, 6,35 mm [0.25 in]	1 and 2	solder hook		round	no panel seal, standard, 6,35 mm [0.25 in]	1 and 2	solder hook	
392-C (See Table 392-C on p. 12.)					392-D (See Table 392-D on p. 12.)				
flatted	no panel seal, split, locking, 12,7 mm [0.50 in]	1 and 2	PC pin		slotted	no panel seal, standard, 6,35 mm [0.25 in]	1	PC pin	
392-E (See Table 392-E on p. 13.)					392-F (See Table 392-F on p. 13.)				
flatted	no panel seal, standard, 6,35 mm [0.25 in]	0	PC pin		slotted	no panel seal, standard, 6,35 mm [0.25 in]	1	PC pin	
392-G (See Table 392-G on p. 14.)					392-H (See Table 392-H on p. 14.)				
flatted	no panel seal, standard, 6,35 mm [0.25 in]	1	solder hook		slotted	no panel seal, standard, 6,35 mm [0.25 in]	1	solder hook	
392-I (See Table 392-I on p. 15.)					392-J (See Table 392-J on p. 15.)				
flatted	no panel seal, standard, 6,35 mm [0.25 in]	1 and 2	PC pin		slotted	no panel seal, standard, 6,35 mm [0.25 in]	0	solder hook	

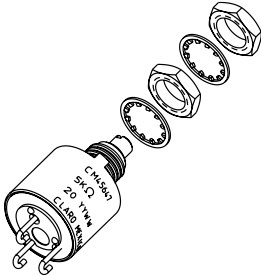
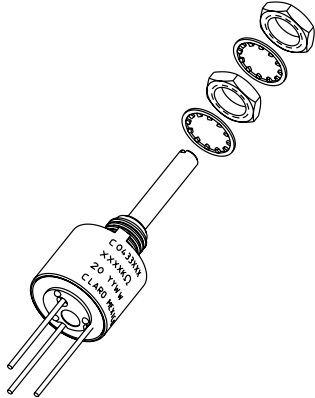
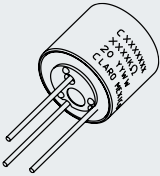
392 Series Specific Configurations

Table 5. 392 Series Metal Shaft and Metal Bushing Specific Configurations (continued)

Shaft Type	Bushing Type	AR Pin	Termination	Configuration with Associated Hardware	Shaft Type	Bushing Type	AR Pin	Termination	Configuration with Associated Hardware
392-K (See Table 392-K on p. 16.)					392-L (See Table 392-L on p. 17.)				
slotted	no panel seal, standard, 6,35 mm [0.25 in]	1 and 2	PC pin		slotted	no panel seal, standard, 6,35 mm [0.25 in]	0	solder hook	
392-M (See Table 392-M on p. 17.)					392-N (See Table 392-N on p. 18.)				
slotted	no panel seal, un-threaded, 6,35 mm [0.25 in]	1 and 2	PC pin		slotted	no panel seal, standard, 6,35 mm [0.25 in]	1 and 2	PC pin	
392-O (See Table 392-O on p. 18.)					392-P (See Table 392-P on p. 18.)				
slotted	no panel seal, standard, 6,35 mm [0.25 in]	1 and 2	solder hook		slotted	no panel seal, standard, 6,35 mm [0.25 in]	1 and 2	PC pin	

392 Series Specific Configurations

Table 5. 392 Series Plastic Shaft and Plastic Bushing Specific Configurations

Shaft Type	Bushing Type	AR Pin	Termination	Configuration with Associated Hardware	Shaft Type	Bushing Type	AR Pin	Termination	Configuration with Associated Hardware
392-Q (See Table 392-Q on p. 19.)					392-R (See Table 392-R on p 20.)				
slotted	no panel seal, standard, 6,35 mm [0.25 in] length	2	solder hook		slotted	no panel seal, standard, 6,35 mm [0.25 in] length	0	PC pin	
392-S (See Table 392-S on p. 21.)									
slotted	trimmer, standard	0	PC pin						

392 Series Order Guides

Table 392-A Order Guide

Catalog Listing	Electrical			Dimensions				RoHS Compliant	Mounting Hardware
	Resistance (Ohm)	Resistance Tolerance (±%)	Taper	A Flat Length (mm [in])	B Flat Width (mm [in])	C Shaft Length (mm [in])	D Bushing Length (mm [in])		
392074M8792	10 k	10	S	4,78 [0.188]	2,39 [0.094]	12,70 [0.500]	6,35 [0.250]	yes	unassembled

Dimensional Drawing (For reference only: mm [in].)

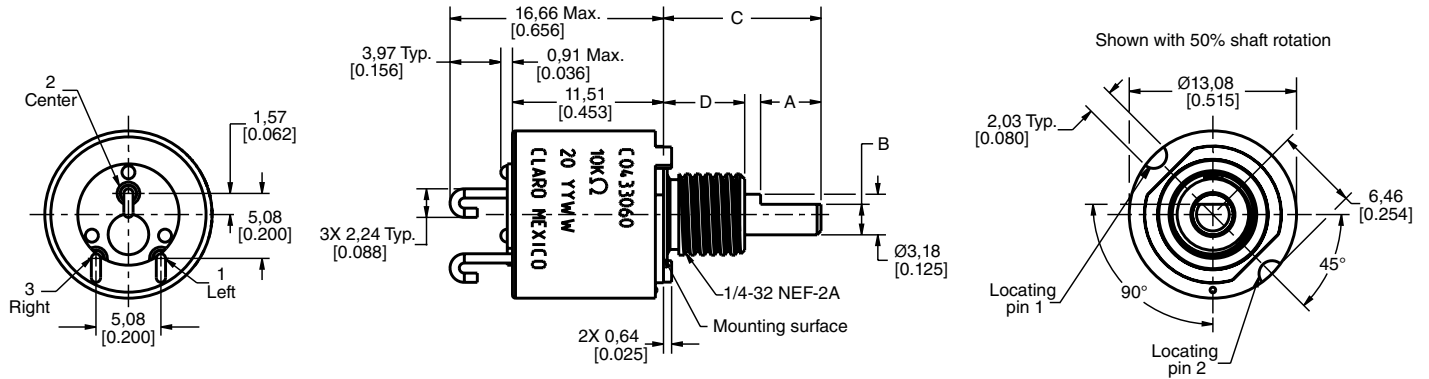
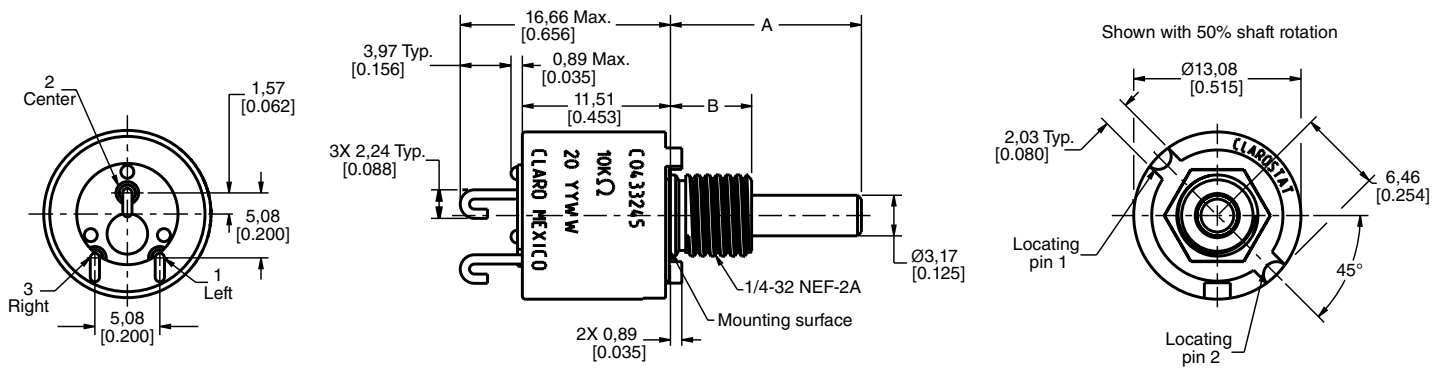


Table 392-B Order Guide

Catalog Listing	Electrical			Dimensions		RoHS Compliant	Mounting Hardware
	Resistance (Ohm)	Resistance Tolerance (±%)	Taper	A Shaft Length (mm [in])	B Bushing Length (mm [in])		
392063M9270	10 k	10	S	15,09 [0.594]	6,35 [0.250]	yes	unassembled

Dimensional Drawing (For reference only: mm [in].)



392 Series Order Guides

Table 392-C Order Guide

Catalog Listing	Electrical			Dimensions					RoHS Compliant	Mounting Hardware
	Resistance (Ohm)	Resistance Tolerance (±%)	Taper	A Flat Length (mm [in])	B Flat Width (mm [in])	C Shaft Length (mm [in])	D Bushing Length (mm [in])	E Termination Length (mm [in])		
392050M7461	2.5 M	10	S	5,16 [0.203]	2,39 [0.094]	18,26 [0.719]	12,70 [0.500]	14,30 [0.563]	yes	unassembled

Dimensional Drawing (For reference only: mm [in].)

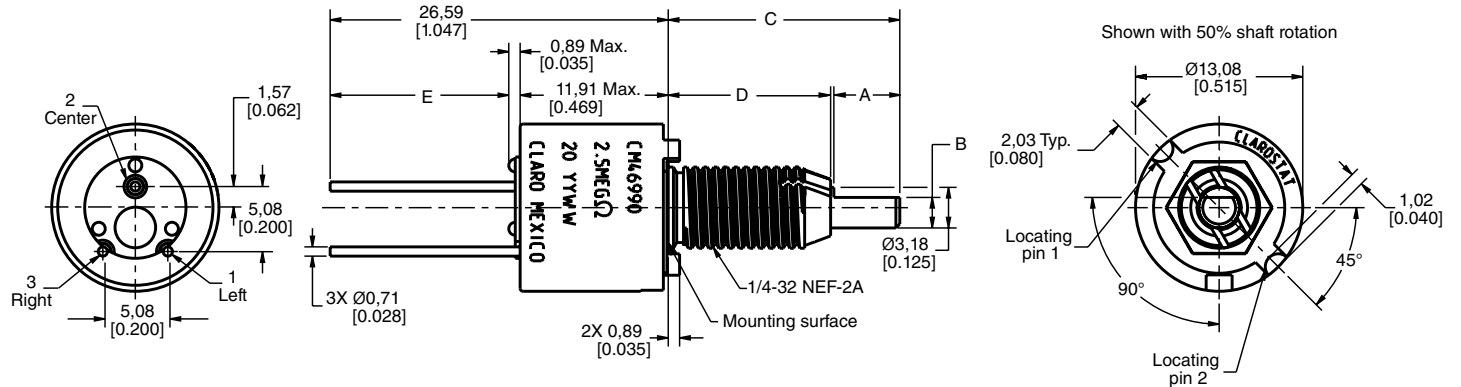
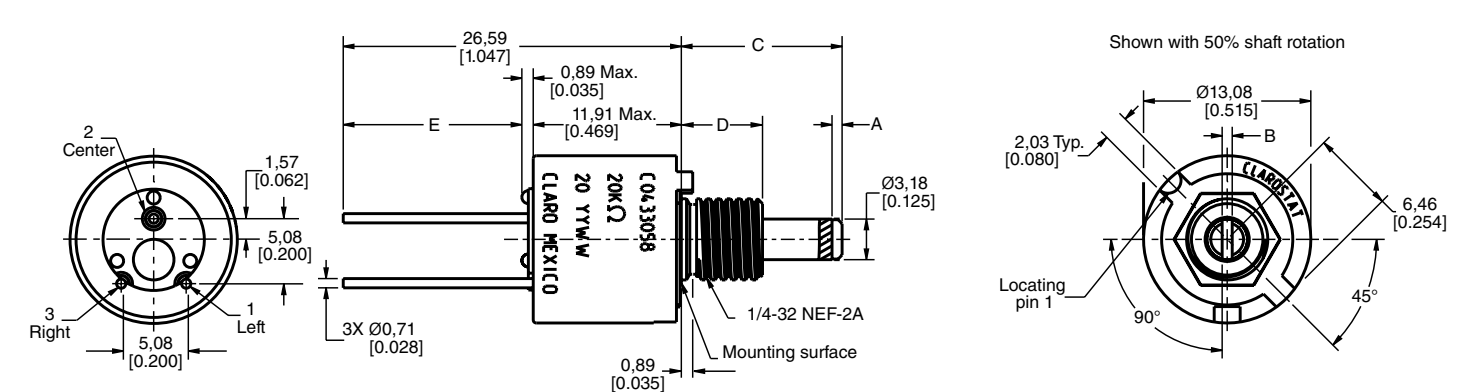


Table 392-D Order Guide

Catalog Listing	Electrical			Dimensions					RoHS Compliant	Mounting Hardware
	Resistance (Ohm)	Resistance Tolerance (±%)	Taper	A Slot Depth (mm [in])	B Slot Width (mm [in])	C Shaft Length (mm [in])	D Bushing Length (mm [in])	E Termination Length (mm [in])		
392050M8789	10 k	10	RZ	0,79 [0.031]	0,79 [0.031]	12,70 [0.500]	6,35 [0.250]	14,30 [0.563]	yes	unassembled

Dimensional Drawing (For reference only: mm [in].)



392 Series Order Guides

Table 392-E Order Guide

Catalog Listing	Electrical			Dimensions					RoHS Compliant	Mounting Hardware
	Resistance (Ohm)	Resistance Tolerance (±%)	Taper	A Flat Length (mm [in])	B Flat Width (mm [in])	C Shaft Length (mm [in])	D Bushing Length (mm [in])	E Termination Length (mm [in])		
392050M9605	2.5 k	10	S	7,14 [0.281]	2,36 [0.093]	14,27 [0.562]	4,75 [0.187]	14,30 [0.563]	yes	unassembled

Dimensional Drawing (For reference only: mm [in].)

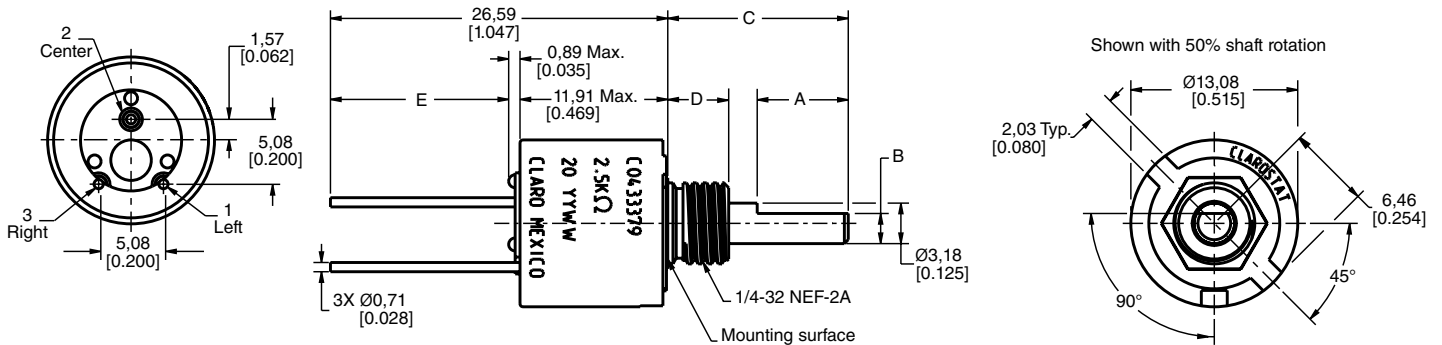
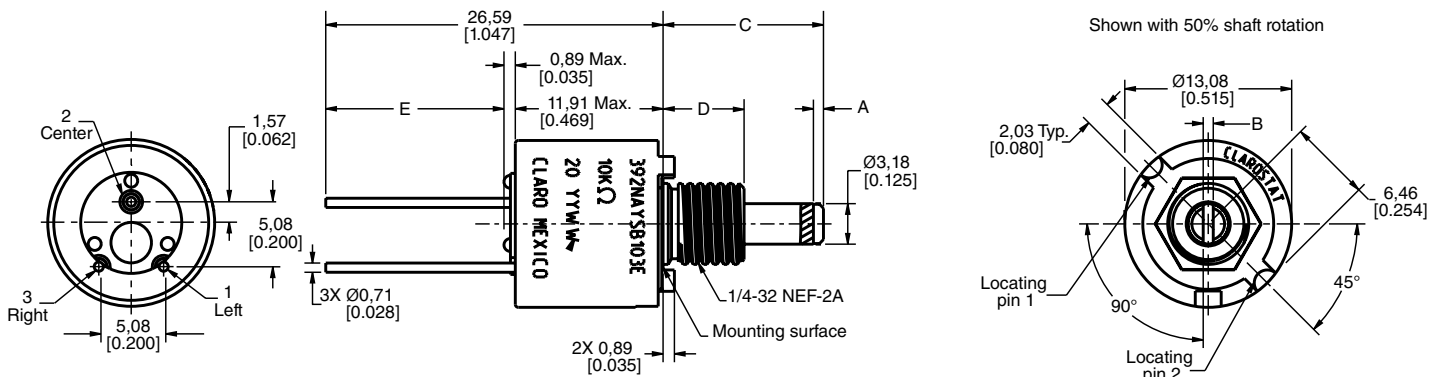


Table 392-F Order Guide

Catalog Listing	Electrical			Dimensions					RoHS Compliant	Mounting Hardware
	Resistance (Ohm)	Resistance Tolerance (±%)	Taper	A Slot Depth (mm [in])	B Slot Width (mm [in])	C Shaft Length (mm [in])	D Bushing Length (mm [in])	E Termination Length (mm [in])		
392050234617001	10 k	10	RZ	0,79 [0.031]	0,79 [0.031]	12,70 [0.500]	6,35 [0.250]	14,30 [0.563]	no	unassembled

Dimensional Drawing (For reference only: mm [in].)



392 Series Order Guides

Table 392-G Order Guide

Catalog Listing	Electrical			Dimensions				RoHS Compliant	Mounting Hardware
	Resistance (Ohm)	Resistance Tolerance (±%)	Taper	A Flat Length (mm [in])	B Flat Width (mm [in])	C Shaft Length (mm [in])	D Bushing Length (mm [in])		
392063M9549	15 k	10	special	6,35 [0.250]	2,39 [0.094]	41,28 [1.625]	6,35 [0.250]	yes	unassembled

Dimensional Drawings (For reference only: mm [in].)

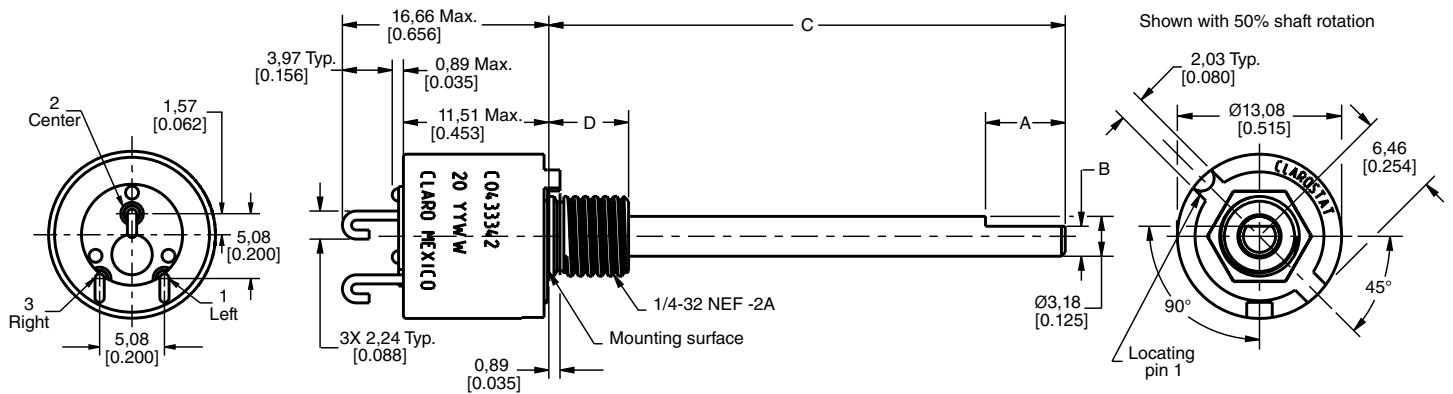
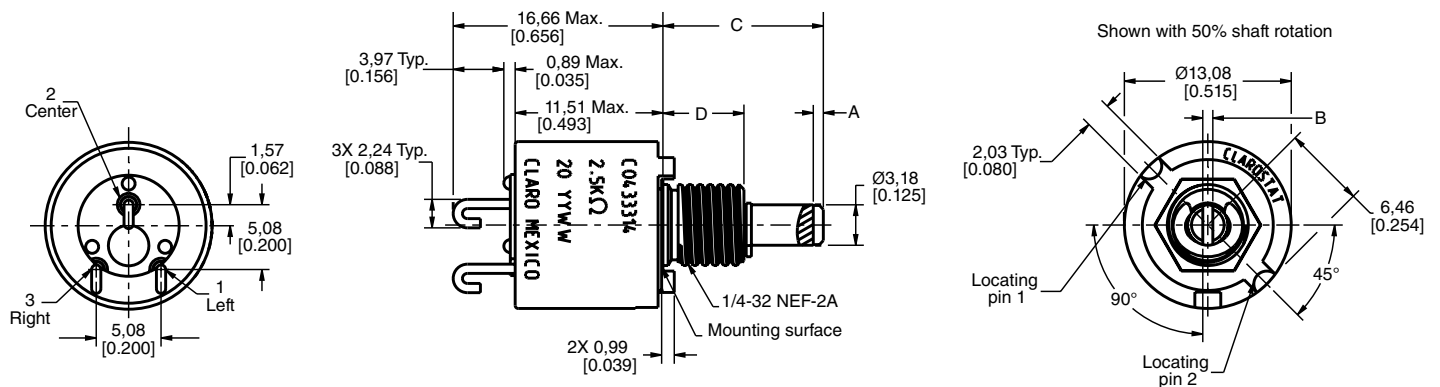


Table 392-H Order Guide

Catalog Listing	Electrical			Dimensions				RoHS Compliant	Mounting Hardware
	Resistance (Ohm)	Resistance Tolerance (±%)	Taper	A Slot Depth (mm [in])	B Slot Width (mm [in])	C Shaft Length (mm [in])	D Bushing Length (mm [in])		
392101M9437	2.5 k	10	S	0,79 [0.031]	0,79 [0.031]	12,70 [0.500]	6,35 [0.250]	yes	unassembled

Dimensional Drawing (For reference only: mm [in].)



392 Series Order Guides

Table 392-I Order Guide

Catalog Listing	Electrical			Dimensions					RoHS Compliant	Mounting Hardware
	Resistance (Ohm)	Resistance Tolerance (±%)	Taper	A Flat Length (mm [in])	B Flat Width (mm [in])	C Shaft Length (mm [in])	D Bushing Length (mm [in])	E Termination Length (mm [in])		
392050M9173	10 k	10	Z	11,91 [0.469]	2,39 [0.094]	19,05 [0.750]	6,35 [0.250]	14,30 [0.563]	yes	unassembled
392050M9514	10 k	10	Z	15,47 [0.609]	2,39 [0.094]	22,23 [0.875]	6,35 [0.250]	14,30 [0.563]	yes	unassembled

Dimensional Drawing (For reference only: mm [in].)

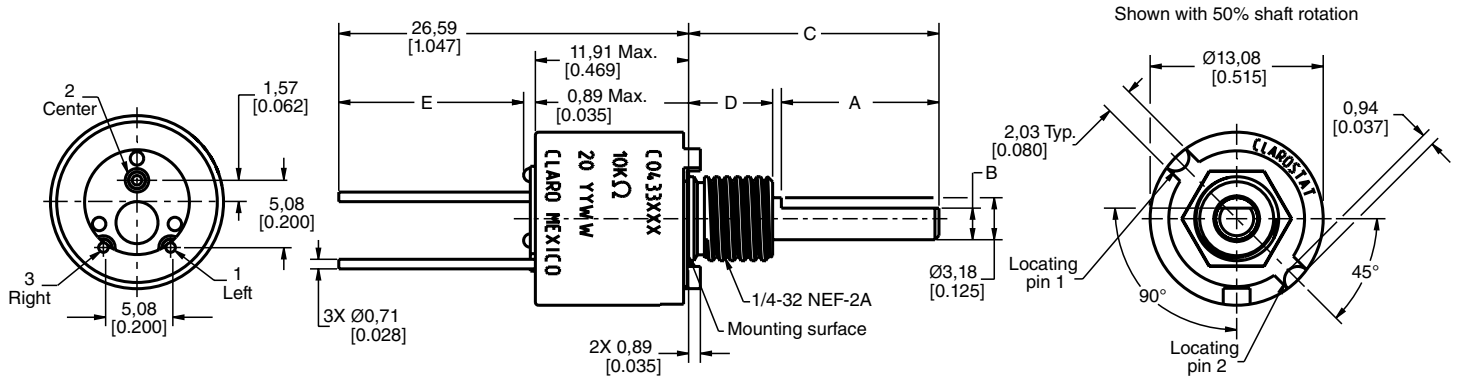
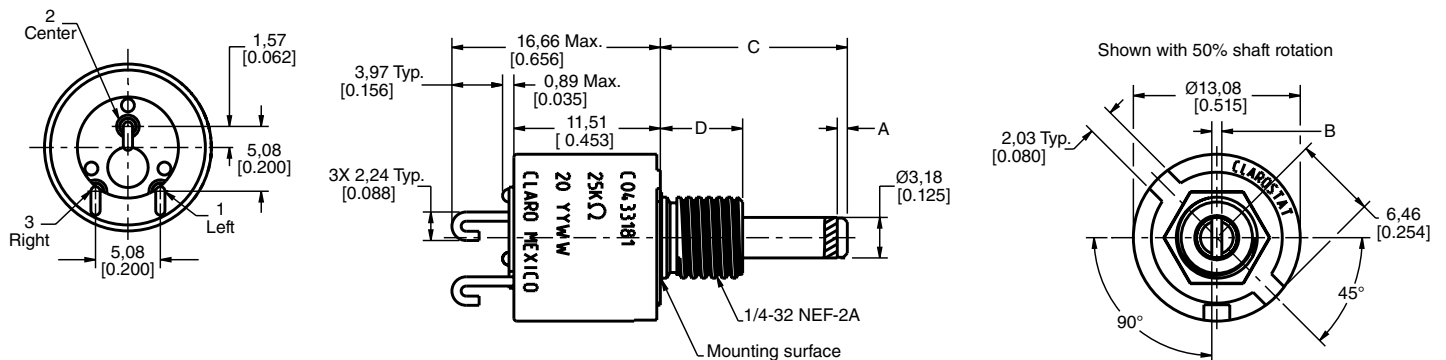


Table 392-J Order Guide

Catalog Listing	Electrical			Dimensions				RoHS Compliant	Mounting Hardware
	Resistance (Ohm)	Resistance Tolerance (±%)	Taper	A Slot Depth (mm [in])	B Slot Width (mm [in])	C Shaft Length (mm [in])	D Bushing Length (mm [in])		
392063M9038	25 k	10	S	0,79 [0.031]	0,79 [0.031]	14,68 [0.578]	6,35 [0.250]	yes	unassembled

Dimensional Drawing (For reference only: mm [in].)

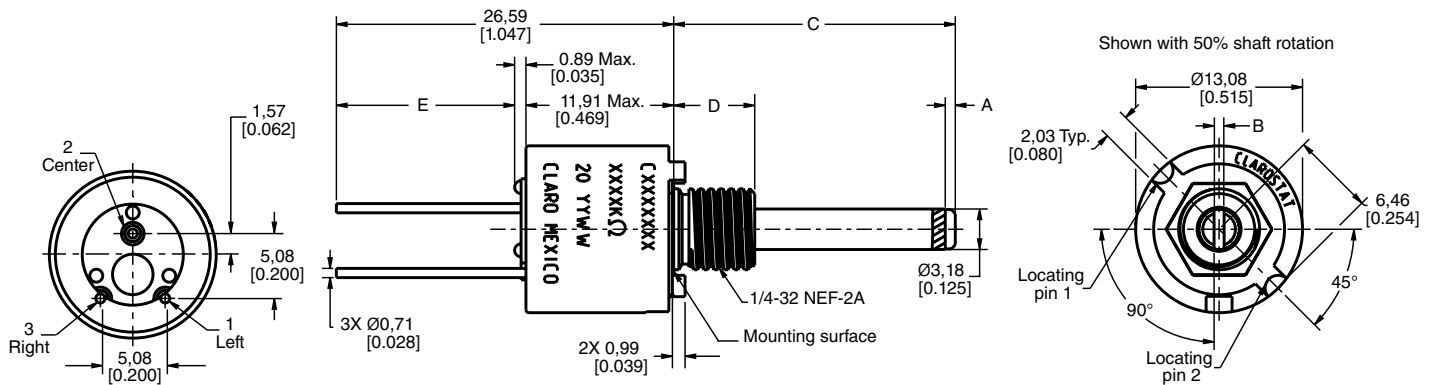


392 Series Order Guides

Table 392-K Order Guide

Catalog Listing	Electrical			Dimensions					RoHS Compliant	Mounting Hardware
	Resistance (Ohm)	Resistance Tolerance ($\pm\%$)	Taper	A Slot Depth (mm [in])	B Slot Width (mm [in])	C Shaft Length (mm [in])	D Bushing Length (mm [in])	E Termination Length (mm [in])		
392JA2.5MEG	2.5 M	20	S	0,79 [0.031]	0,79 [0.031]	22,23 [0.875]	6,35 [0.250]	14,30 [0.563]	no	unassembled
392JA250	250	10	S	0,79 [0.031]	0,79 [0.031]	22,23 [0.875]	6,35 [0.250]	14,30 [0.563]	yes	unassembled
392JA2500	2.5 k	10	S	0,79 [0.031]	0,79 [0.031]	22,23 [0.875]	6,35 [0.250]	14,30 [0.563]	yes	unassembled
392JA5MEG	5 M	20	S	0,79 [0.031]	0,79 [0.031]	22,23 [0.875]	6,35 [0.250]	14,30 [0.563]	yes	unassembled
392JA1MEG	1 M	20	S	0,79 [0.031]	0,79 [0.031]	22,23 [0.875]	6,35 [0.250]	14,30 [0.563]	yes	unassembled
392JA100	100	10	S	0,79 [0.031]	0,79 [0.031]	22,23 [0.875]	6,35 [0.250]	14,30 [0.563]	yes	unassembled
392JA100K	100 k	10	S	0,79 [0.031]	0,79 [0.031]	22,23 [0.875]	6,35 [0.250]	14,30 [0.563]	yes	unassembled
392JA10K	10 k	10	S	0,79 [0.031]	0,79 [0.031]	22,23 [0.875]	6,35 [0.250]	14,30 [0.563]	yes	unassembled
392JA1K	1 k	10	S	0,79 [0.031]	0,79 [0.031]	22,23 [0.875]	6,35 [0.250]	14,30 [0.563]	yes	unassembled
392JA250K	250 k	10	S	0,79 [0.031]	0,79 [0.031]	22,23 [0.875]	6,35 [0.250]	14,30 [0.563]	yes	unassembled
392JA25K	25 k	10	S	0,79 [0.031]	0,79 [0.031]	22,23 [0.875]	6,35 [0.250]	14,30 [0.563]	yes	unassembled
392JA500K	500 k	10	S	0,79 [0.031]	0,79 [0.031]	22,23 [0.875]	6,35 [0.250]	14,30 [0.563]	yes	unassembled
392JA50K	50 k	10	S	0,79 [0.031]	0,79 [0.031]	22,23 [0.875]	6,35 [0.250]	14,30 [0.563]	yes	unassembled
392JA5K	5 k	10	S	0,79 [0.031]	0,79 [0.031]	22,23 [0.875]	6,35 [0.250]	14,30 [0.563]	yes	unassembled
392050M8964	50 k	20	S	0,79 [0.031]	0,79 [0.031]	15,88 [0.625]	6,35 [0.250]	14,30 [0.563]	yes	unassembled
392050M9492	5 k	10	S	0,79 [0.031]	0,79 [0.031]	15,09 [0.594]	6,35 [0.250]	14,30 [0.563]	yes	unassembled
392050M9519	50 k	20	S	0,79 [0.031]	0,79 [0.031]	25,40 [1.00]	6,35 [0.250]	14,30 [0.563]	yes	unassembled
392050M0016	10 k	10	S	0,79 [0.031]	0,79 [0.031]	22,23 [0.875]	6,35 [0.250]	9,53 [0.375]	no	unassembled
392050M8715	2 k	20	S	0,79 [0.031]	0,79 [0.031]	15,88 [0.625]	6,35 [0.250]	14,30 [0.563]	yes	unassembled

Dimensional Drawing (For reference only: mm [in].)



392 Series Order Guides

Table 392-L Order Guide

Catalog Listing	Electrical			Dimensions				RoHS Compliant	Mounting Hardware
	Resistance (Ohm)	Resistance Tolerance (±%)	Taper	A Slot Depth (mm [in])	B Slot Width (mm [in])	C Shaft Length (mm [in])	D Bushing Length (mm [in])		
392101M9524	100	10	S	0,79 [0.031]	0,79 [0.031]	15,88 [0.625]	6,35 [0.250]	yes	unassembled

Dimensional Drawing (For reference only: mm [in].)

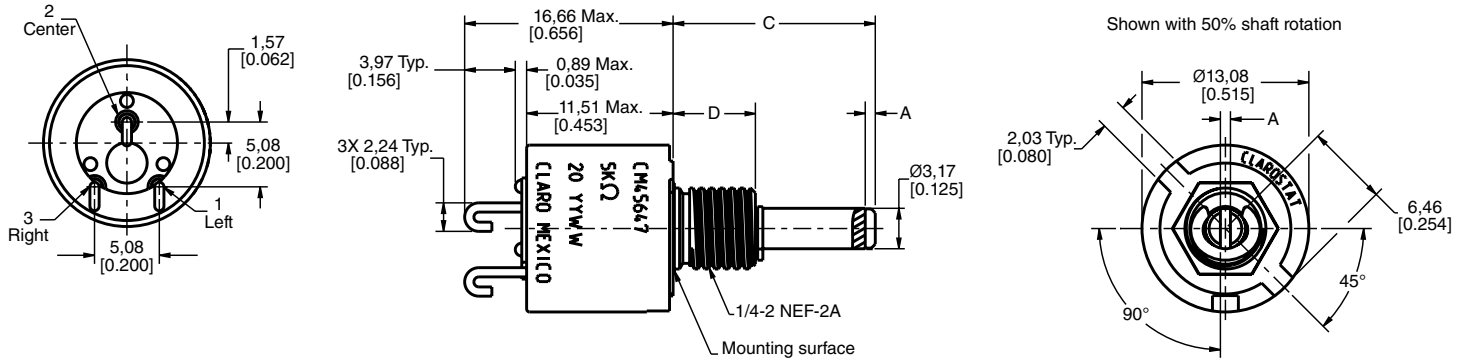
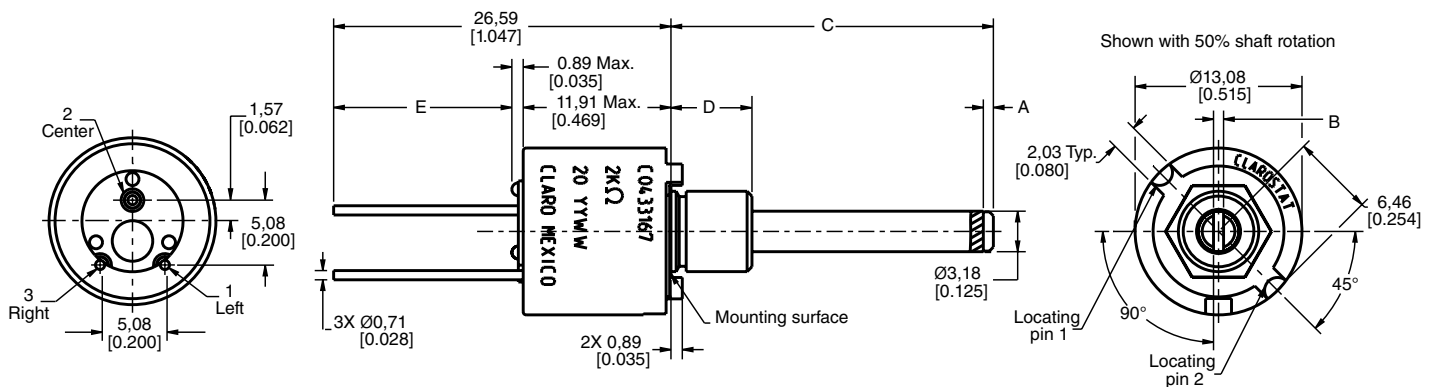


Table 392-M Order Guide

Catalog Listing	Electrical			Dimensions					RoHS Compliant	Mounting Hardware
	Resistance (Ohm)	Resistance Tolerance (±%)	Taper	A Slot Depth (mm [in])	B Slot Width (mm [in])	C Shaft Length (mm [in])	D Bushing Length (mm [in])	E Termination Length (mm [in])		
392050M9012	2 k	10	S	0,79 [0.031]	0,79 [0.031]	25,40 [1.000]	6,35 [0.250]	14,30 [0.563]	yes	unassembled

Dimensional Drawing (For reference only: mm [in].)



392 Series Order Guides

Table 392-N Order Guide

Catalog Listing	Electrical			Dimensions					RoHS Compliant	Mounting Hardware
	Resistance (Ohm)	Resistance Tolerance ($\pm\%$)	Taper	A Slot Depth (mm [in])	B Slot Width (mm [in])	C Shaft Length (mm [in])	D Bushing Length (mm [in])	E Termination Length (mm [in])		
392050M8756	10 k	10	Z	0,79 [0.031]	0,79 [0.031]	22,23 [0.875]	6,35 [0.250]	14,30 [0.563]	no	unassembled
392050M9382	500	10	Z	0,79 [0.031]	0,79 [0.031]	17,45 [0.687]	7,92 [0.312]	14,30 [0.563]	yes	unassembled
392050M9488	1 M	20	Z	0,79 [0.031]	0,79 [0.031]	15,09 [0.594]	6,35 [0.250]	14,30 [0.563]	yes	unassembled

Dimensional Drawing (For reference only: mm [in].)

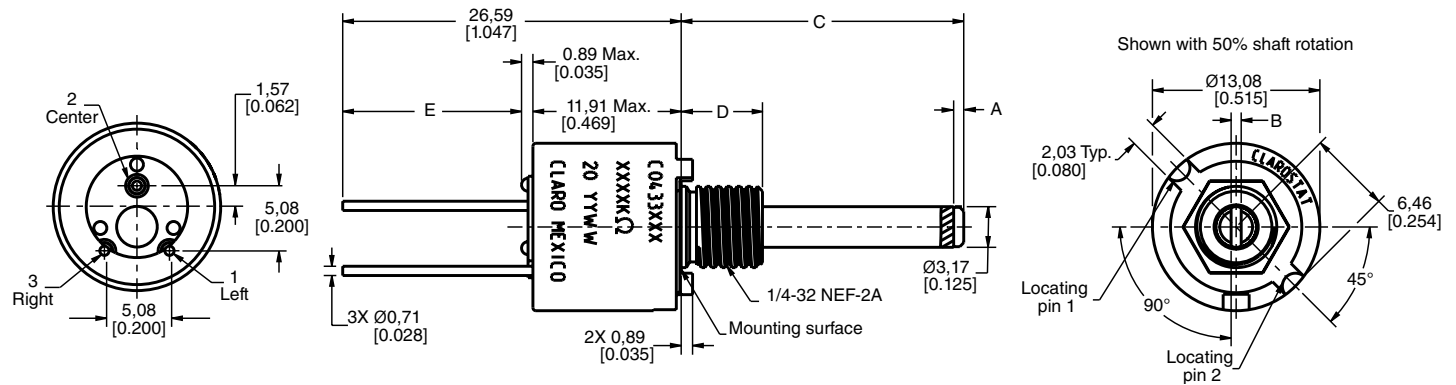
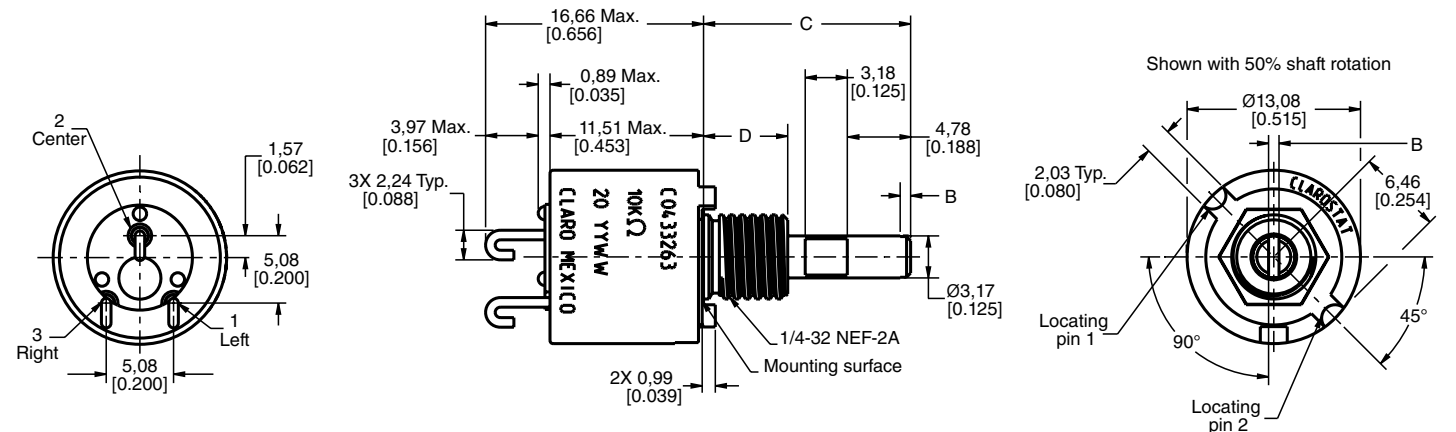


Table 392-O Order Guide

Catalog Listing	Electrical			Dimensions				RoHS Compliant	Mounting Hardware
	Resistance (Ohm)	Resistance Tolerance ($\pm\%$)	Taper	A Slot Depth (mm [in])	B Slot Width (mm [in])	C Shaft Length (mm [in])	D Bushing Length (mm [in])		
392063M9308	10 k	10	S	0,79 [0.031]	0,79 [0.031]	15,88 [0.625]	6,35 [0.250]	yes	unassembled

Dimensional Drawing (For reference only: mm [in].)



392 Series Order Guides

Table 392-P Order Guide

Catalog Listing	Electrical			Dimensions					RoHS Compliant	Mounting Hardware
	Resistance (Ohm)	Resistance Tolerance ($\pm\%$)	Taper	A Slot Depth (mm [in])	B Slot Width (mm [in])	C Shaft Length (mm [in])	D Bushing Length (mm [in])	E Termination Length (mm [in])		
392NAYSB103A	10 k	10	S	0,79 [0.031]	0,79 [0.031]	12,70 [0.500]	6,35 [0.250]	14,30 [0.563]	no	unassembled

Dimensional Drawing (For reference only: mm [in].)

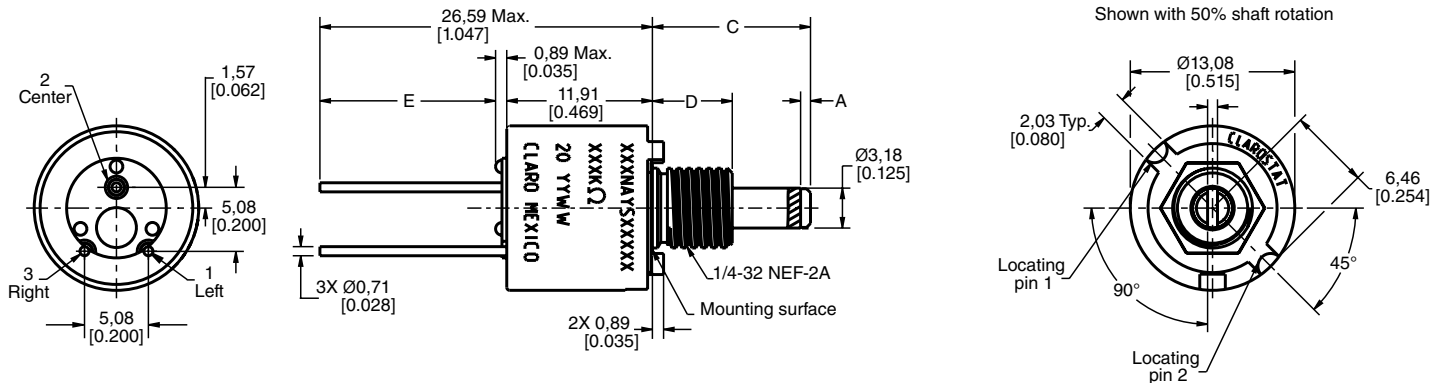
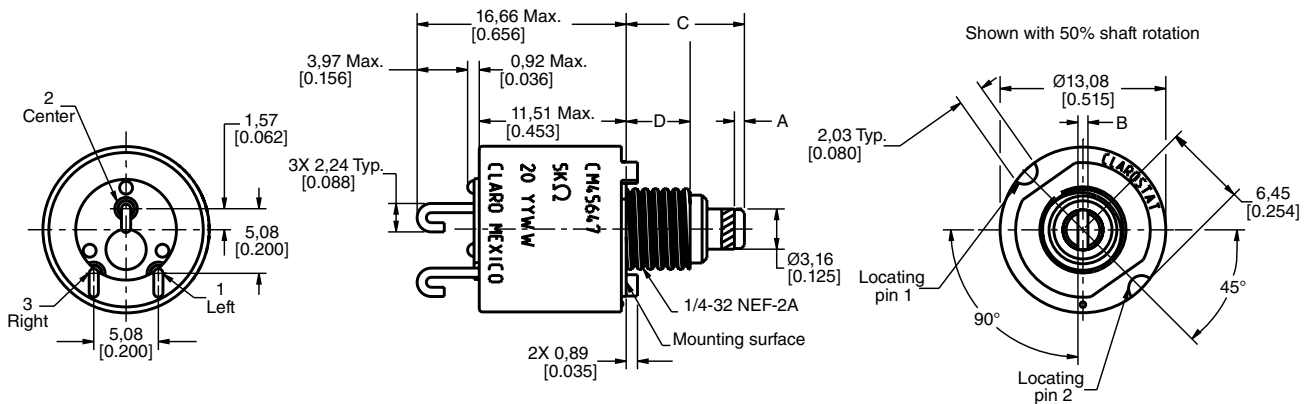


Table 392-Q Order Guide

Catalog Listing	Electrical			Dimensions				RoHS Compliant	Mounting Hardware
	Resistance (Ohm)	Resistance Tolerance ($\pm\%$)	Taper	A Slot Depth (mm [in])	B Slot Width (mm [in])	C Shaft Length (mm [in])	D Bushing Length (mm [in])		
392072M6256	5 k	10	S	0,79 [0.031]	0,79 [0.031]	9,53 [0.375]	6,35 [0.250]	yes	unassembled

Dimensional Drawing (For reference only: mm [in].)

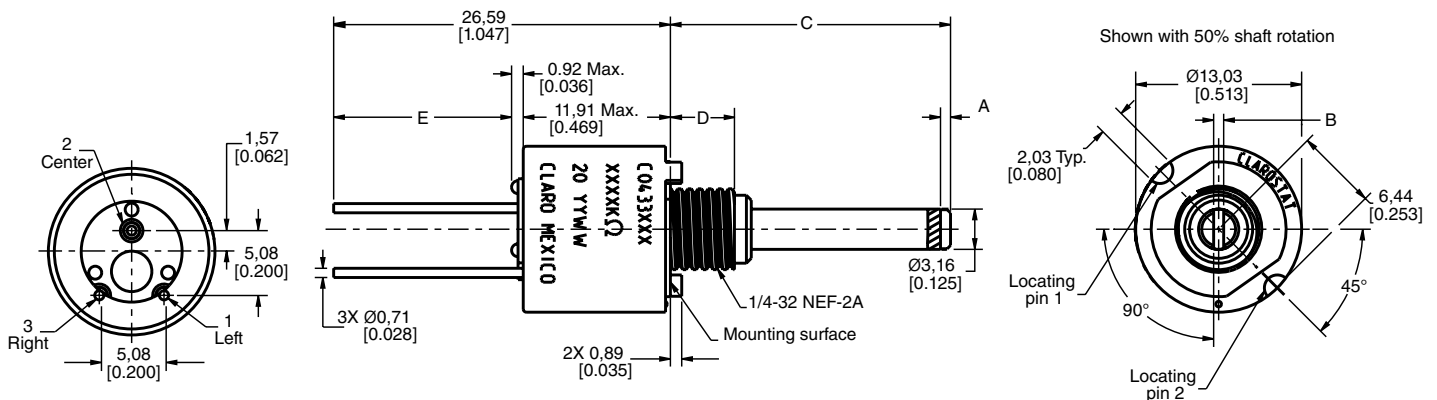


392 Series Order Guides

Table 392-R Order Guide

Catalog Listing	Electrical			Dimensions					RoHS Compliant	Mounting Hardware
	Resistance (Ohm)	Resistance Tolerance ($\pm\%$)	Taper	A Slot Depth (mm [in])	B Slot Width (mm [in])	C Shaft Length (mm [in])	D Bushing Length (mm [in])	E Termination Length (mm [in])		
392JB1MEG	1 M	20	S	0,79 [0.031]	0,79 [0.031]	22,23 [0.875]	6,35 [0.250]	14,30 [0.563]	yes	unassembled
392JB100	100	10	S	0,79 [0.031]	0,79 [0.031]	22,23 [0.875]	6,35 [0.250]	14,30 [0.563]	yes	unassembled
392JB100/NEW	100	10	S	0,79 [0.031]	0,79 [0.031]	22,23 [0.875]	6,35 [0.250]	14,30 [0.563]	no	unassembled
392JB100K	100 k	10	S	0,79 [0.031]	0,79 [0.031]	22,23 [0.875]	6,35 [0.250]	14,30 [0.563]	yes	unassembled
392JB10K	10 k	10	S	0,79 [0.031]	0,79 [0.031]	22,23 [0.875]	6,35 [0.250]	14,30 [0.563]	yes	unassembled
392JB1K	1 k	10	S	0,79 [0.031]	0,79 [0.031]	22,23 [0.875]	6,35 [0.250]	14,30 [0.563]	yes	unassembled
392JB250	250	10	S	0,79 [0.031]	0,79 [0.031]	22,23 [0.875]	6,35 [0.250]	14,30 [0.563]	yes	unassembled
392JB2500	2.5 k	10	S	0,79 [0.031]	0,79 [0.031]	22,23 [0.875]	6,35 [0.250]	14,30 [0.563]	yes	unassembled
392JB250K	250 k	10	S	0,79 [0.031]	0,79 [0.031]	22,23 [0.875]	6,35 [0.250]	14,30 [0.563]	yes	unassembled
392JB25K	25 k	10	S	0,79 [0.031]	0,79 [0.031]	22,23 [0.875]	6,35 [0.250]	14,30 [0.563]	yes	unassembled
392JB500	500	10	S	0,79 [0.031]	0,79 [0.031]	22,23 [0.875]	6,35 [0.250]	14,30 [0.563]	yes	unassembled
392JB500K	500 k	10	S	0,79 [0.031]	0,79 [0.031]	22,23 [0.875]	6,35 [0.250]	14,30 [0.563]	yes	unassembled
392JB50K	50 k	10	S	0,79 [0.031]	0,79 [0.031]	22,23 [0.875]	6,35 [0.250]	14,30 [0.563]	yes	unassembled
392JB5K	5 k	10	S	0,79 [0.031]	0,79 [0.031]	22,23 [0.875]	6,35 [0.250]	14,30 [0.563]	yes	unassembled
392051M9692	10 k	10	S	0,79 [0.031]	0,79 [0.031]	22,23 [0.875]	6,35 [0.250]	14,30 [0.563]	yes	none
392051M9693	1 M	20	S	0,79 [0.031]	0,79 [0.031]	22,23 [0.875]	6,35 [0.250]	14,30 [0.563]	yes	none
392051M5761	2.5 k	10	S	0,79 [0.031]	0,79 [0.031]	15,85 [0.624]	6,35 [0.250]	14,30 [0.563]	yes	none
392051M5803	1 M	10	S	0,79 [0.031]	0,79 [0.031]	15,85 [0.624]	6,35 [0.250]	14,30 [0.563]	yes	unassembled

Dimensional Drawing (For reference only: mm [in].)

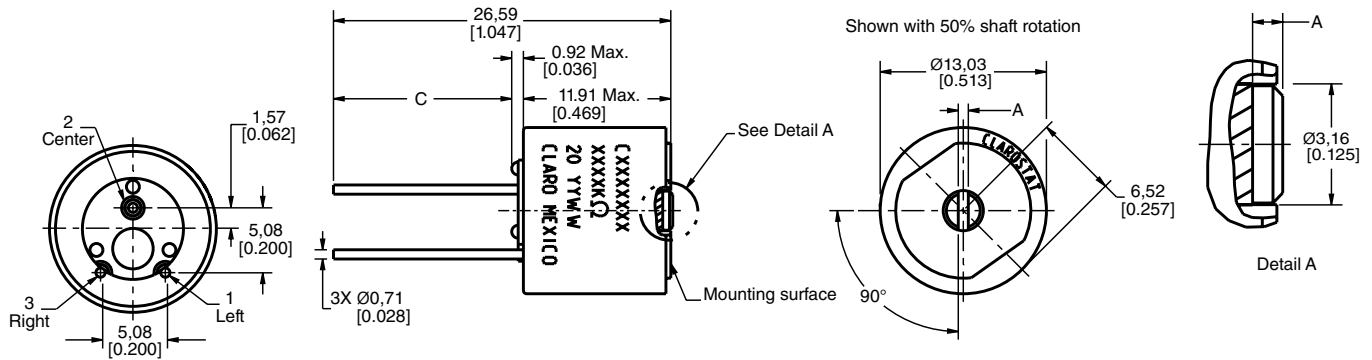


392 Series Order Guides

Table 392-S Order Guide

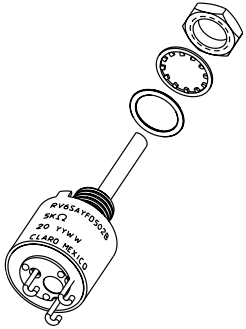
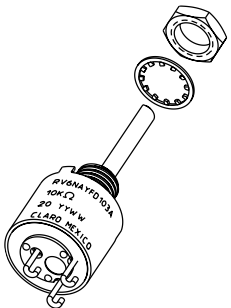
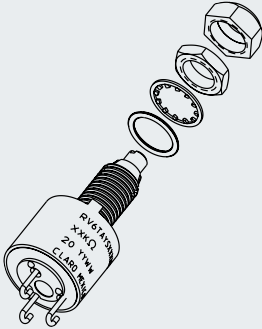
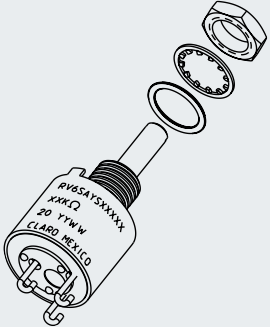
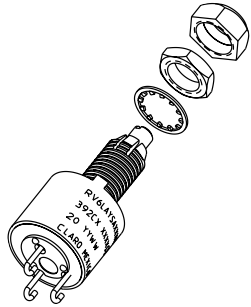
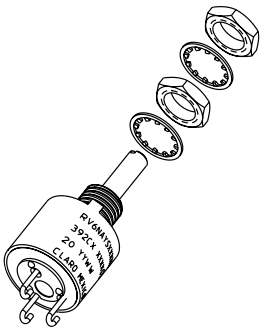

Catalog Listing	Electrical			Dimensions			RoHS Compliant	Mounting Hardware
	Resistance (Ohm)	Resistance Tolerance ($\pm\%$)	Taper	A Slot Depth (mm [in])	B Slot Width (mm [in])	C Termination Length (mm [in])		
3925100K	100 k	10	S	0,79 [0.031]	0,79 [0.031]	14,30 [0.563]	yes	none
392510K	10 k	10	S	0,79 [0.031]	0,79 [0.031]	14,30 [0.563]	yes	none
3925250	250	10	S	0,79 [0.031]	0,79 [0.031]	14,30 [0.563]	yes	none
3925500	500	10	S	0,79 [0.031]	0,79 [0.031]	14,30 [0.563]	yes	none
3925500K	500 k	10	S	0,79 [0.031]	0,79 [0.031]	14,30 [0.563]	yes	none
392550K	50 k	10	S	0,79 [0.031]	0,79 [0.031]	14,30 [0.563]	yes	none
39255K	5 k	10	S	0,79 [0.031]	0,79 [0.031]	14,30 [0.563]	yes	none
392055M8814	100 k	10	S	0,79 [0.031]	0,79 [0.031]	14,30 [0.563]	yes	none

Dimensional Drawing (For reference only: mm [in].)



RV6 Series Specific Configurations

Table 7. RV6 Series Metal Shaft and Metal Bushing Specific Configurations

Shaft Type	Bushing Type	AR Pin	Termination	Configuration with Associated Hardware	Shaft Type	Bushing Type	AR Pin	Termination	Configuration with Associated Hardware
RV6-A (See Table RV6-A on p. 23.)					RV6-B (See Table RV6-B on p. 23.)				
flatted	panel seal, standard, 6,35 mm [0.25 in]	1 and 2	solder hook		flatted	no panel seal, standard, 6,35 mm [0.25 in]	1 and 2	solder hook	
RV6-C (See Table RV6-C on p. 24.)					RV6-D (See Table RV6-D on p. 24.)				
slotted	panel seal, split locking, 12,7 mm [0.50 in]	1 and 2	solder hook		slotted	panel seal, standard, 6,35 mm [0.25 in]	1 and 2	solder hook	
RV6-E (See Table RV6-E on p. 25.)					RV6-F (See Table RV6-F on pp. 26-27.)				
slotted	panel seal, split locking, 12,7 mm [0.50 in]	1 and 2	solder hook		slotted	no panel seal, standard, 6,35 mm [0.25 in]	1 and 2	solder hook	
RV6-G (See Table RV6-G on p 27.)									
slotted	no panel seal, standard, 6,35 mm [0.25 in]	1 and 2	solder hook						

RV6 Series Order Guides

Table RV6-A Order Guide

Catalog Listing	Electrical			Dimensions				RoHS Compliant	Mounting Hardware
	Resistance (Ohm)	Resistance Tolerance (±%)	Taper	A Flat Length (mm [in])	B Flat Width (mm [in])	C Shaft Length (mm [in])	D Bushing Length (mm [in])		
RV6SAYFD502B	5 k	20	S	15,47 [0.609]	2,39 [0.094]	22,23 [0.875]	6,35 [0.250]	no	unassembled

Dimensional Drawing (For reference only: mm [in].)

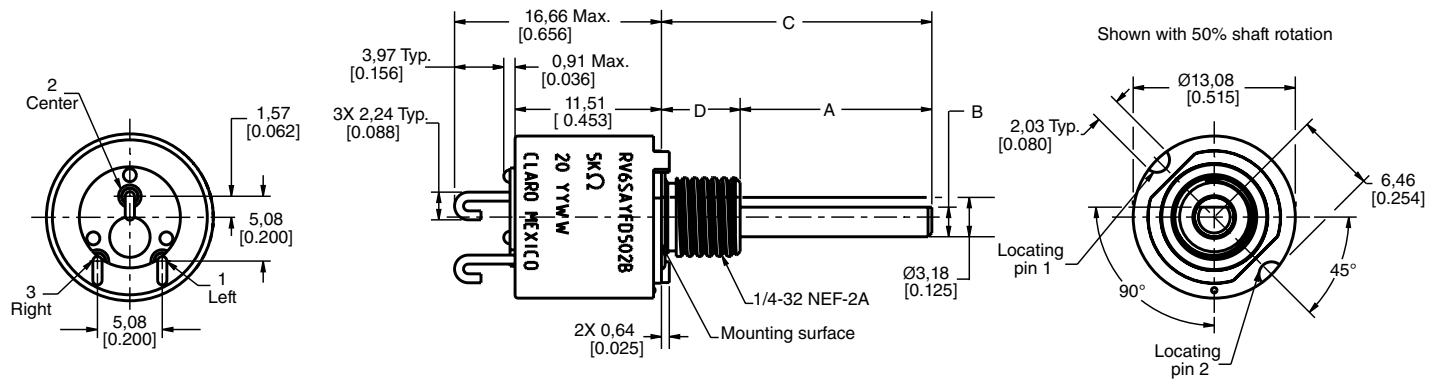
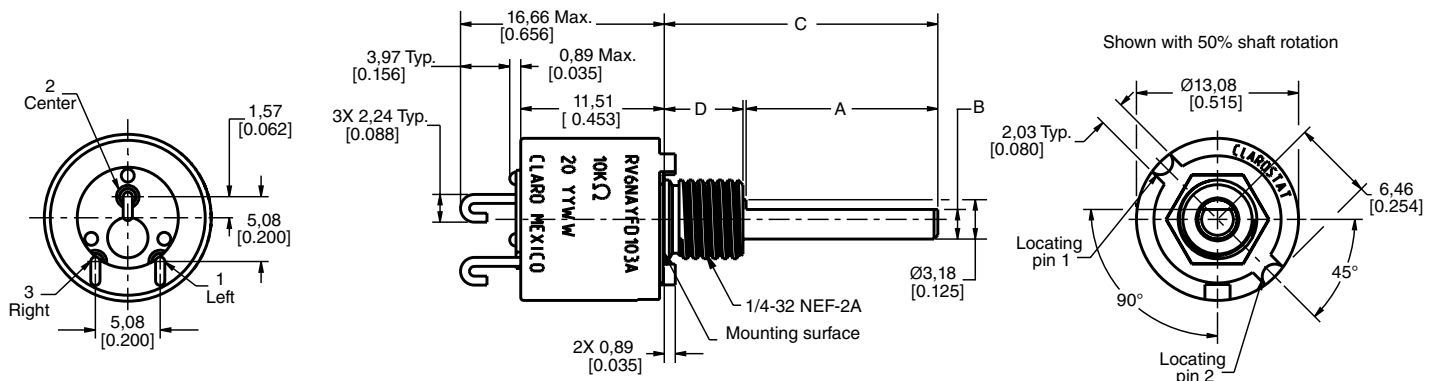


Table RV6-B Order Guide

Catalog Listing	Electrical			Dimensions				RoHS Compliant	Mounting Hardware
	Resistance (Ohm)	Resistance Tolerance (±%)	Taper	A Flat Length (mm [in])	B Flat Width (mm [in])	C Shaft Length (mm [in])	D Bushing Length (mm [in])		
RV6NAYFD103A	10 k	10	S	15,47 [0.609]	2,39 [0.094]	22,23 [0.875]	6,35 [0.250]	no	unassembled

Dimensional Drawing (For reference only: mm [in].)



RV6 Series Order Guides

Table RV6-C Order Guide

Catalog Listing	Electrical			Dimensions				RoHS Compliant	Mounting Hardware
	Resistance (Ohm)	Resistance Tolerance (±%)	Taper	A Slot Depth (mm [in])	B Slot Width (mm [in])	C Shaft Length (mm [in])	D Bushing Length (mm [in])		
RV6TAYSA103A	10 k	10	S	0,79 [0.031]	0,79 [0.031]	15,88 [0.625]	12,70 [0.500]	no	unassembled
RV6TAYSA503A	50 k	10	S	0,79 [0.031]	0,79 [0.031]	15,88 [0.625]	12,70 [0.500]	no	unassembled
RV6TAYSD103A	10 k	10	S	0,79 [0.031]	0,79 [0.031]	22,23 [0.875]	12,70 [0.500]	no	unassembled
RV6TAYSD502B	5 k	20	S	0,79 [0.031]	0,79 [0.031]	22,23 [0.875]	12,70 [0.500]	no	unassembled

Dimensional Drawing (For reference only: mm [in].)

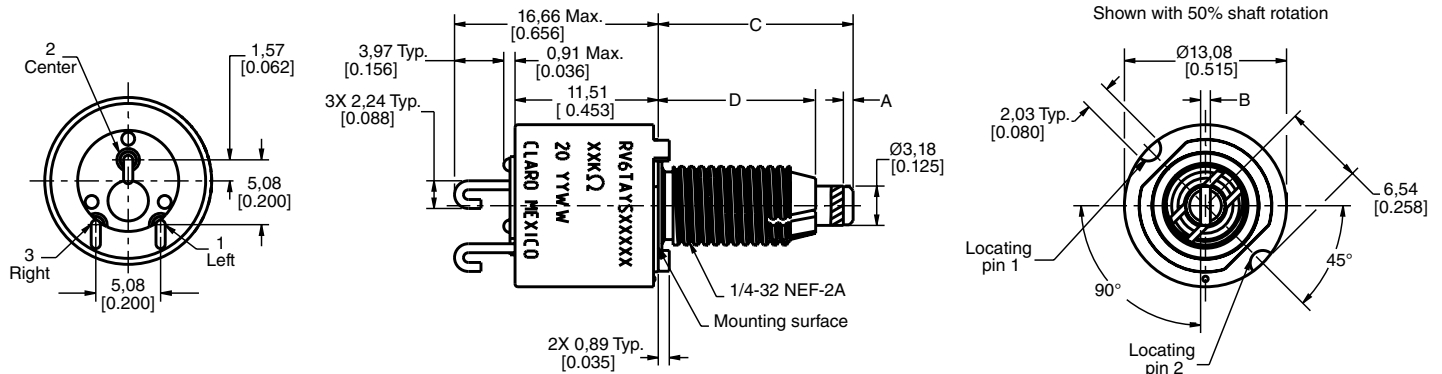
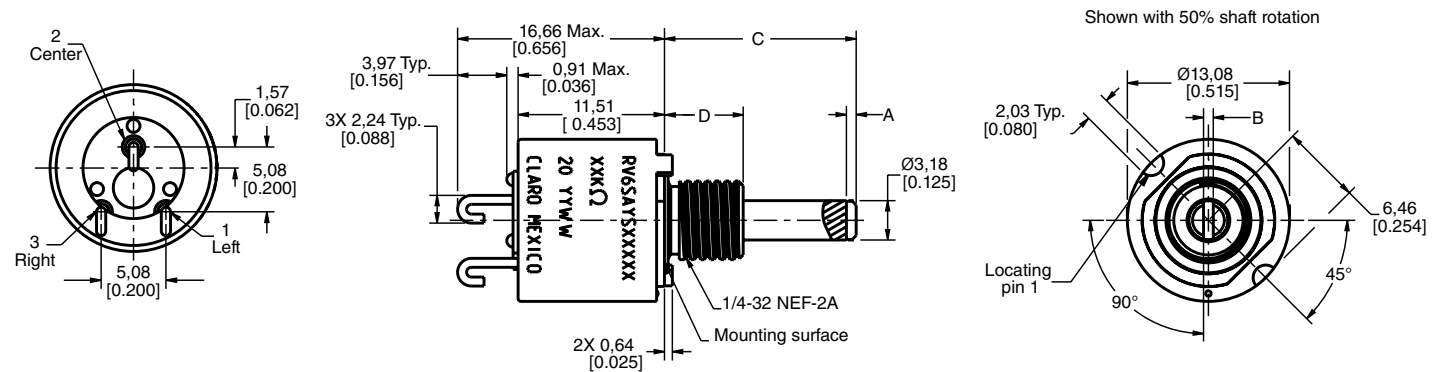


Table RV6-D Order Guide

Catalog Listing	Electrical			Dimensions				RoHS Compliant	Mounting Hardware
	Resistance (Ohm)	Resistance Tolerance (±%)	Taper	A Slot Depth (mm [in])	B Slot Width (mm [in])	C Shaft Length (mm [in])	D Bushing Length (mm [in])		
RV6SAYSA103A	10 k	10	S	0,79 [0.031]	0,79 [0.031]	15,88 [0.625]	12,70 [0.500]	no	unassembled
RV6SAYSA104A	100 k	10	S	0,79 [0.031]	0,79 [0.031]	22,23 [0.875]	12,70 [0.500]	no	unassembled
RV6SAYSD251A	250 k	10	S	0,79 [0.031]	0,79 [0.031]	22,23 [0.875]	12,70 [0.500]	no	unassembled
RV6SAYSD502A N/P 392	5 k	10	S	0,79 [0.031]	0,79 [0.031]	22,23 [0.875]	12,70 [0.500]	no	unassembled

Dimensional Drawing (For reference only: mm [in].)

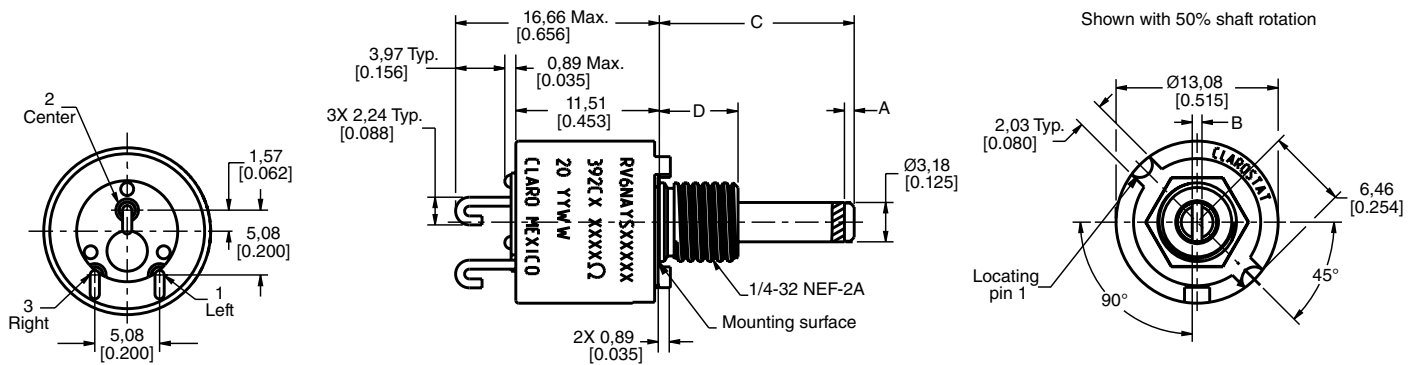


RV6 Series Order Guides

Table RV6-E Order Guide

Catalog Listing	Electrical			Dimensions				RoHS Compliant	Mounting Hardware
	Resistance (Ohm)	Resistance Tolerance (±%)	Taper	A Flat Length (mm [in])	B Flat Width (mm [in])	C Shaft Length (mm [in])	D Bushing Length (mm [in])		
RV6LAYS101A	100	10	S	0,79 [0.031]	0,79 [0.031]	15,88 [0.625]	12,70 [0.500]	no	assembled
RV6LAYS102A	1 k	10	S	0,79 [0.031]	0,79 [0.031]	15,88 [0.625]	12,70 [0.500]	no	assembled
RV6LAYS103A	10 k	10	S	0,79 [0.031]	0,79 [0.031]	15,88 [0.625]	12,70 [0.500]	no	assembled
RV6LAYS104A	100 k	10	S	0,79 [0.031]	0,79 [0.031]	15,88 [0.625]	12,70 [0.500]	no	assembled
RV6LAYS105A	1 M	10	S	0,79 [0.031]	0,79 [0.031]	15,88 [0.625]	12,70 [0.500]	no	assembled
RV6LAYS251A	250	10	S	0,79 [0.031]	0,79 [0.031]	15,88 [0.625]	12,70 [0.500]	no	assembled
RV6LAYS252A	2.5 k	10	S	0,79 [0.031]	0,79 [0.031]	15,88 [0.625]	12,70 [0.500]	no	assembled
RV6LAYS253A	25k	10	S	0,79 [0.031]	0,79 [0.031]	15,88 [0.625]	12,70 [0.500]	no	assembled
RV6LAYS501A	500	10	S	0,79 [0.031]	0,79 [0.031]	15,88 [0.625]	12,70 [0.500]	no	assembled
RV6LAYS502A	5 k	10	S	0,79 [0.031]	0,79 [0.031]	15,88 [0.625]	12,70 [0.500]	no	assembled
RV6LAYS503A	50 k	20	S	0,79 [0.031]	0,79 [0.031]	15,88 [0.625]	12,70 [0.500]	no	assembled
RV6LAYS504A	500 k	10	S	0,79 [0.031]	0,79 [0.031]	15,88 [0.625]	12,70 [0.500]	no	assembled
RV6LAYS505B	5 M	10	S	0,79 [0.031]	0,79 [0.031]	15,88 [0.625]	12,70 [0.500]	no	unassembled

Dimensional Drawing (For reference only: mm [in].)



RV6 Series Order Guides

Table RV6-F Order Guide

Catalog Listing	Electrical			Dimensions				RoHS Compliant	Mounting Hardware
	Resistance (Ohm)	Resistance Tolerance (±%)	Taper	A Slot Depth (mm [in])	B Slot Width (mm [in])	C Shaft Length (mm [in])	D Bushing Length (mm [in])		
RV6NAYSA103A	10 k	10	S	0,79 [0.031]	0,79 [0.031]	15,88 [0.625]	6,25 [0.250]	no	unassembled
RV6NAYSA502A	5 k	10	S	0,79 [0.031]	0,79 [0.031]	15,88 [0.625]	6,25 [0.250]	no	unassembled
RV6NAYSA503A	50 k	10	S	0,79 [0.031]	0,79 [0.031]	15,88 [0.625]	6,25 [0.250]	no	unassembled
RV6NAYSB101A	100	10	S	0,79 [0.031]	0,79 [0.031]	12,70 [0.500]	6,25 [0.250]	no	unassembled
RV6NAYSB103A	10 k	10	S	0,79 [0.031]	0,79 [0.031]	12,70 [0.500]	6,25 [0.250]	no	unassembled
RV6NAYSB502A	5 k	10	S	0,79 [0.031]	0,79 [0.031]	12,70 [0.500]	6,25 [0.250]	no	unassembled
RV6NAYSD101A	100	10	S	0,79 [0.031]	0,79 [0.031]	12,70 [0.500]	6,25 [0.250]	no	assembled
RV6NAYSD102A	1 k	10	S	0,79 [0.031]	0,79 [0.031]	22,23 [0.875]	6,25 [0.250]	no	assembled
RV6NAYSD103A	10 k	10	S	0,79 [0.031]	0,79 [0.031]	22,23 [0.875]	6,25 [0.250]	no	assembled
RV6NAYSD104A	100 k	10	S	0,79 [0.031]	0,79 [0.031]	22,23 [0.875]	6,25 [0.250]	no	assembled
RV6NAYSD105A	1 M	10	S	0,79 [0.031]	0,79 [0.031]	22,23 [0.875]	6,25 [0.250]	no	assembled
RV6NAYSD251A	250	10	S	0,79 [0.031]	0,79 [0.031]	22,23 [0.875]	6,25 [0.250]	no	assembled
RV6NAYSD252A	2.5 k	10	S	0,79 [0.031]	0,79 [0.031]	22,23 [0.875]	6,25 [0.250]	no	assembled
RV6NAYSD253A	25 k	10	S	0,79 [0.031]	0,79 [0.031]	22,23 [0.875]	6,25 [0.250]	no	assembled
RV6NAYSD253A	25 k	10	S	0,79 [0.031]	0,79 [0.031]	22,23 [0.875]	6,25 [0.250]	no	assembled
RV6NAYSD253A	250 k	10	S	0,79 [0.031]	0,79 [0.031]	22,23 [0.875]	6,25 [0.250]	no	assembled
RV6NAYSD501A	500	10	S	0,79 [0.031]	0,79 [0.031]	22,23 [0.875]	6,25 [0.250]	no	assembled
RV6NAYSD502A	5 k	10	S	0,79 [0.031]	0,79 [0.031]	22,23 [0.875]	6,25 [0.250]	no	assembled
RV6NAYSD502B	5 k	10	S	0,79 [0.031]	0,79 [0.031]	22,23 [0.875]	6,25 [0.250]	no	unassembled
RV6NAYSD503A	50 k	10	S	0,79 [0.031]	0,79 [0.031]	22,23 [0.875]	6,25 [0.250]	no	assembled
RV6NAYSD504A	500 k	10	S	0,79 [0.031]	0,79 [0.031]	22,23 [0.875]	6,25 [0.250]	no	assembled

(Continued on next page.)

RV6 Series Order Guides

Table RV6-F Order Guide (continued)

Catalog Listing	Electrical			Dimensions				RoHS Compliant	Mounting Hardware
	Resistance (Ohm)	Resistance Tolerance (±%)	Taper	A Slot Depth (mm [in])	B Slot Width (mm [in])	C Shaft Length (mm [in])	D Bushing Length (mm [in])		
RV6NAYSL103A	10 k	10	S	0,79 [0.031]	0,79 [0.031]	9,53 [0.375]	6,25 [0.250]	no	assembled
RV6NAYSL104A	100 k	10	S	0,79 [0.031]	0,79 [0.031]	9,53 [0.375]	6,25 [0.250]	no	assembled
RV6LAYSL504A	500 k	10	S	0,79 [0.031]	0,79 [0.031]	9,53 [0.375]	6,25 [0.250]	no	assembled
RV6LAYSD101AP	100	10	S	0,79 [0.031]	0,79 [0.031]	22,23 [0.875]	6,25 [0.250]	no	assembled

Dimensional Drawing (For reference only: mm [in].)

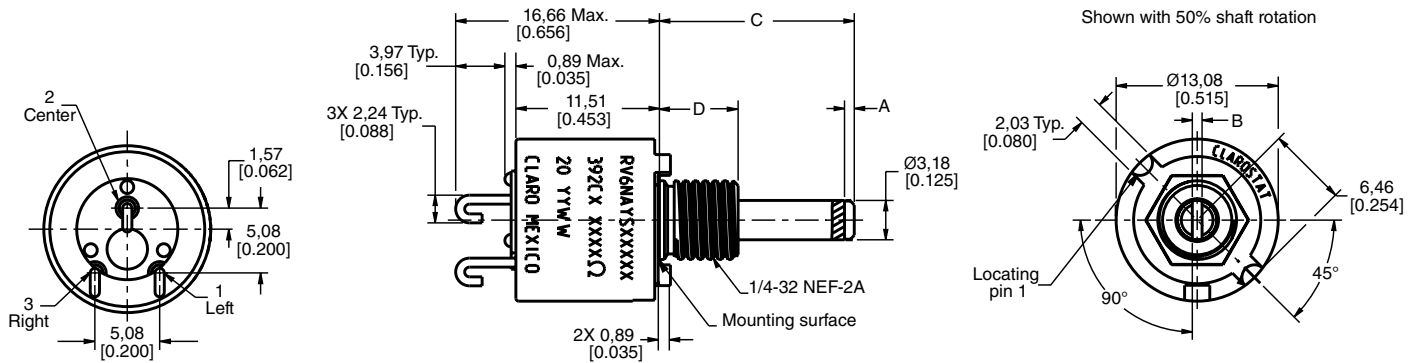


Table RV6-G Order Guide

Catalog Listing	Electrical			Dimensions				RoHS Compliant	Mounting Hardware
	Resistance (Ohm)	Resistance Tolerance (±%)	Taper	A Slot Depth (mm [in])	B Slot Width (mm [in])	C Shaft Length (mm [in])	D Bushing Length (mm [in])		
RV6SAYSA103C	10 k	10	Z	0,79 [0.031]	0,79 [0.031]	15,88 [0.625]	6,35 [0.250]	no	assembled
RV6SAYSA104C	100 k	10	Z	0,79 [0.031]	0,79 [0.031]	15,88 [0.625]	6,35 [0.250]	no	unassembled
RV6SAYSD102C	1 k	10	Z	0,79 [0.031]	0,79 [0.031]	22,23 [0.875]	6,35 [0.250]	no	unassembled
RV6SAYSD102D	1 k	10	Z	0,79 [0.031]	0,79 [0.031]	22,23 [0.875]	6,35 [0.250]	no	unassembled
RV6SAYSD502D	5 k	20	Z	0,79 [0.031]	0,79 [0.031]	22,23 [0.875]	6,35 [0.250]	no	unassembled

Dimensional Drawing (For reference only: mm [in].)

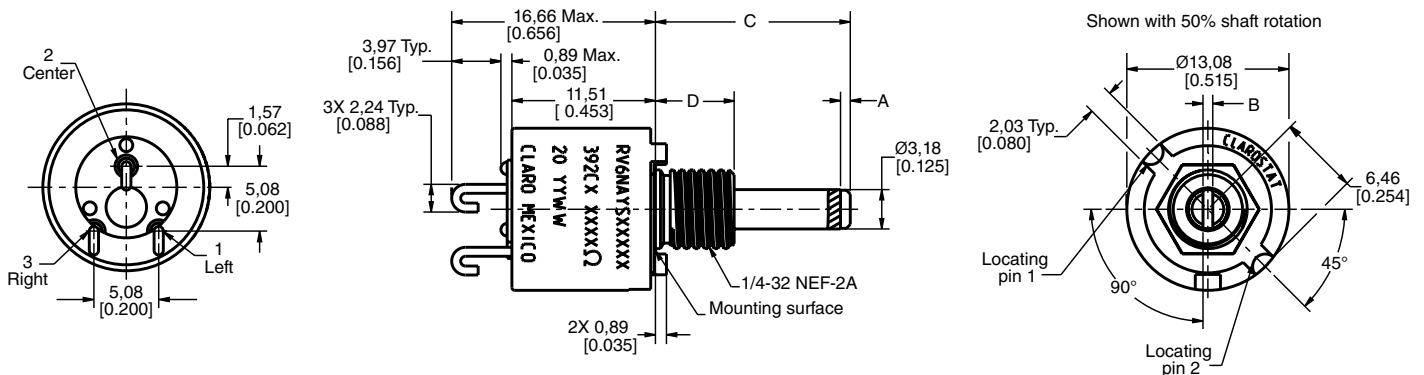
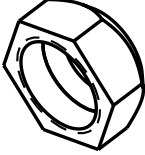

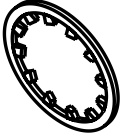



Figure 6. Mounting Hardware

<p>Jam Nut 7,94 mm [5/16 in] across flats 3,97 mm [5/32 in] thick</p> 	<p>Mounting Nut 1/4 x 32 thread 7,94 mm [5/16 in] across flats</p> 	<p>Lock Washer 10,32 mm [5/16 in] outside diameter 0,64 mm [0.025 in] thick</p> 	<p>O-Ring</p> 
--	---	---	--

▲ WARNING
PERSONAL INJURY

DO NOT USE these products as safety or emergency stop devices or in any other application where failure of the product could result in personal injury.

Failure to comply with these instructions could result in death or serious injury.

ADDITIONAL INFORMATION

The following associated literature is available at sensing.honeywell.com:

- Product Range Guide
- Product Line Guide
- Installation Instructions

Find out more

Honeywell serves its customers through a worldwide network of sales offices, representatives and distributors. For application assistance, current specifications, pricing or name of the nearest Authorized Distributor, contact your local sales office.

To learn more about Honeywell's sensing and control products, call **+1-815-235-6847** or **1-800-537-6945**, visit **sensing.honeywell.com**, or e-mail inquiries to **info.sc@honeywell.com**

Sensing and Control
Honeywell
1985 Douglas Drive North
Golden Valley, MN 55422
honeywell.com

▲ WARNING
MISUSE OF DOCUMENTATION

- The information presented in this product sheet is for reference only. Do not use this document as a product installation guide.
- Complete installation, operation, and maintenance information is provided in the instructions supplied with each product.

Failure to comply with these instructions could result in death or serious injury.

WARRANTY/REMEDY

Honeywell warrants goods of its manufacture as being free of defective materials and faulty workmanship. Honeywell's standard product warranty applies unless agreed to otherwise by Honeywell in writing; please refer to your order acknowledgement or consult your local sales office for specific warranty details. If warranted goods are returned to Honeywell during the period of coverage, Honeywell will repair or replace, at its option, without charge those items it finds defective. **The foregoing is buyer's sole remedy and is in lieu of all other warranties, expressed or implied, including those of merchantability and fitness for a particular purpose. In no event shall Honeywell be liable for consequential, special, or indirect damages.**

While we provide application assistance personally, through our literature and the Honeywell website, it is up to the customer to determine the suitability of the product in the application.

Specifications may change without notice. The information we supply is believed to be accurate and reliable as of this printing. However, we assume no responsibility for its use.



X-ON Electronics

Largest Supplier of Electrical and Electronic Components

Click to view similar products for [Potentiometers](#) category:

Click to view products by [Honeywell](#) manufacturer:

Other Similar products are found below :

[590SX1N32F103SS](#) [006-0-1](#) [591SXJ48S252SC](#) [591SXP56S252SC](#) [591SXP56S503SC](#) [D31409](#) [70B1G048K502X-A](#) [70B1M032S502W](#)
[70B1N056S202W](#) [70B8N056F502W](#) [70J8N048S104U](#) [70L1N040P103W](#) [70L1N048P103X](#) [70L1N048S103W](#) [81R1A-R22-A20L](#) [85A2A-](#)
[B28-B27/R51](#) [GS1G044P103UA](#) [GS1T032S103UA](#) [A47-200K](#) [A4720K](#) [RA20LASD251A](#) [132-0-0-502](#) [132-2-0-202](#) [132-0-0-102](#) [132-0-0-](#)
[103](#) [132B00301](#) [RK14K1220-F25-C0-A103](#) [RK14K1220F25C0C104](#) [RK14K1220-F25-C1-B103](#) [14910AABHSX10102KA](#)
[14910F0GJSX10105KA](#) [14910FAGJSX10102KA](#) [14910FBGLFY00103KA](#) [14910AABHSX10502KA](#) [14910FAGJSX10104KA](#) [ASM6674E](#)
[152-01031](#) [P140KH1-F15AR50K](#) [P170SPD-FC15BR10K](#) [P231-EC20BR5K](#) [P270-109A](#) [J97589](#) [P9A2R000FISX1103MA](#)
[248BBHS0XB25104MA](#) [248BBHS0XB25503MA](#) [RV170F-10-15R1-B500K-0021](#) [RV24AF-10-15R1-B500-3](#) [A43-750](#) [A47-15K](#) [A4750K](#)