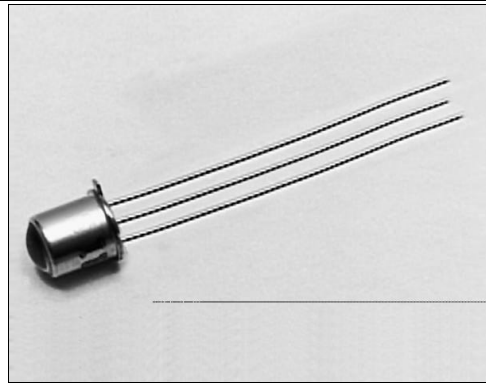


SD5620/5630

Optoschmitt Detector

FEATURES

- TO-46 metal can package
- 6° (nominal) acceptance angle
- TTL/LSTTL/CMOS compatible
- High noise immunity output
- Buffer (SD5620) or inverting (SD5630) logic available
- Two sensitivity ranges
- Mechanically and spectrally matched to SE3450/5450, SE3455/5455 and SE3470/5470 infrared emitting diodes



INFRA-81.TIF

DESCRIPTION

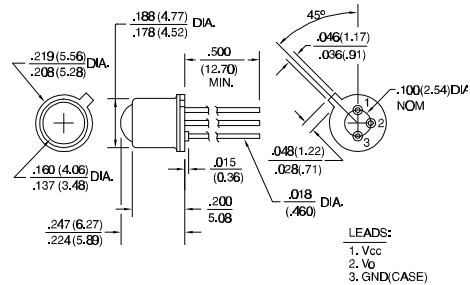
The SD5620/5630 series is family of single chip Optoschmitt IC detectors mounted in a TO-46 metal can package. The photodetector consists of a photodiode, amplifier, voltage regulator, Schmitt trigger and an NPN output transistor with a 10 kΩ (nominal) pull-up resistor. Output rise and fall times are independent of rate of change of incident light. Detector sensitivity has been internally temperature compensated. The TO-46 package is ideally suited for operation in hostile environments.

Device Polarity:

- Buffer - Output is HI when incident light intensity is above the turn- on threshold level.
- Inverter - Output is LO when incident light intensity is above the turn- on threshold level.

OUTLINE DIMENSIONS in inches (mm)

| | | |
|-----------|----------------|--------------|
| Tolerance | 3 plc decimals | ±0.005(0.12) |
| | 2 plc decimals | ±0.020(0.51) |



DIM_025.cdr

SD5620/5630

Optoschmitt Detector

ELECTRICAL CHARACTERISTICS (-40°C to +100°C unless otherwise noted)

| PARAMETER | SYMBOL | MIN | TYP | MAX | UNITS | TEST CONDITIONS |
|---|-------------------------------------|------------|--------------|------|--------------------|---|
| Operating Supply Voltage | V _{CC} | 4.5 | 16.0 | | V | T _A =25°C |
| Turn-on Threshold Irradiance ⁽²⁾ SD5620-001, SD5630-001 SD5620-002, SD5630-002 | E _{ET(+)} | | 0.25 0.13 | | mW/cm ² | V _{CC} =5 V T _A =25°C |
| Hysteresis ⁽³⁾ | HYST | 5 | 30 | | % | |
| Supply Current | I _{CC} | | 12.0 15.0 | | mA | E _e =0 Or 3.0 mW/cm ² V _{CC} =5 V V _{CC} =16 V |
| High Level Output Voltage SD5620 SD5630 | V _{OH} | 2.4 2.4 | | | V | V _{CC} =5 V, I _{OH} =0 E _e =3.0 mW/cm ² E _e =0 |
| Low Level Output Voltage SD5620 SD5630 | V _{OL} | | 0.4 0.4 | | V | V _{CC} =5 V, I _{OL} =12.8 mA E _e =0 E _e =3.0 mW/cm ² |
| Internal Pull-Up Resistor | R _{INT} | 5.0 | 10.0 | 20.0 | kΩ | |
| Operate Point Temperature Coefficient | OPTC | | -0.76 | | %/°C | Emitter @ Constant Temperature |
| Output Rise Time | t _r | | 60 | | ns | R _L =390 Ω, C _L =50 pF |
| Output Fall Time | t _f | | 15 | | ns | R _L =390 Ω, C _L =50 pF |
| Propagation Delay, Low-High, High-Low | t _{PLH} , t _{PHL} | | 5.0 | | μs | R _L =390 Ω, C _L =50 pF |
| Clock Frequency | | | | 100 | kHz | R _L =390 Ω, C _L =50 pF |

Notes

- It is recommended that a bypass capacitor, 0.1 μF typical, be added between V_{CC} and GND near the device in order to stabilize power supply line.
- The radiation source is an IRED with a peak wavelength of 935 nm.
- Hysteresis is defined as the difference between the operating and release threshold intensities, expressed as a percentage of the operate threshold intensity.

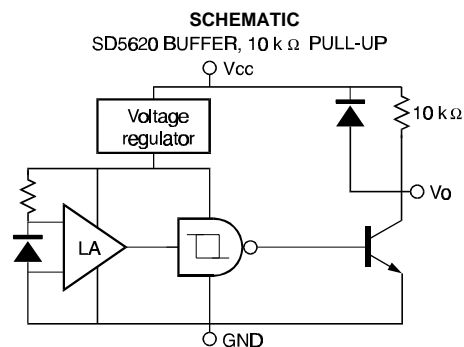
ABSOLUTE MAXIMUM RATINGS

(25°C Free-Air Temperature unless otherwise noted)

| | |
|--|---------------------|
| Supply Voltage | 16 V ⁽¹⁾ |
| Duration of Output Short to V _{CC} or Ground | 1.0 sec. |
| Output Current | 18 mA |
| Operating Temperature Range | -40°C to 100°C |
| Storage Temperature Range | -55°C to 125°C |
| Soldering Temperature (10 sec) | 260°C |

Notes

- Derate linearly from 25°C to 7 V at 100°C.



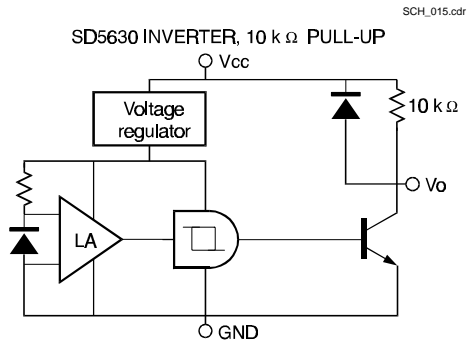
Honeywell reserves the right to make changes in order to improve design and supply the best products possible.

Honeywell

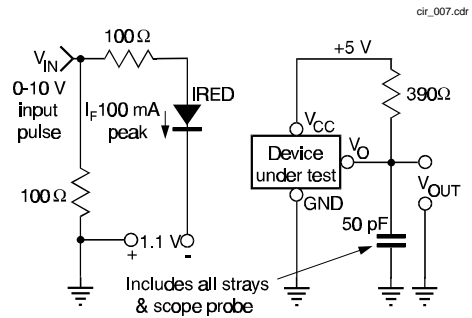
SD5620/5630

Optoschmitt Detector

SCHEMATIC



SWITCHING TIME TEST CIRCUIT



SWITCHING WAVEFORM FOR BUFFERS

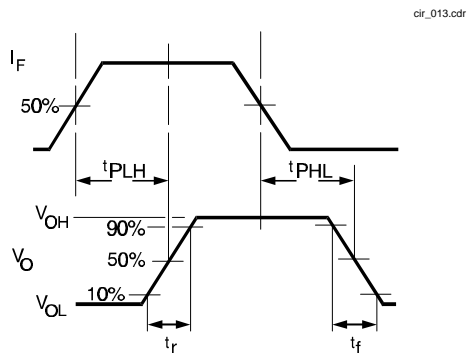
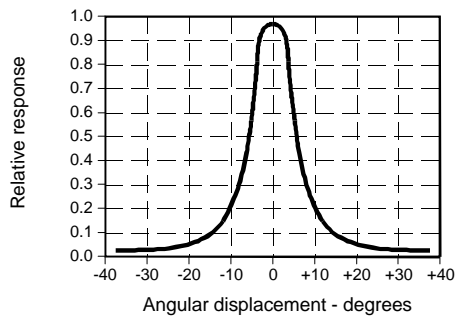


Fig. 1 Responsivity vs Angular Displacement



SWITCHING WAVEFORM FOR INVERTERS

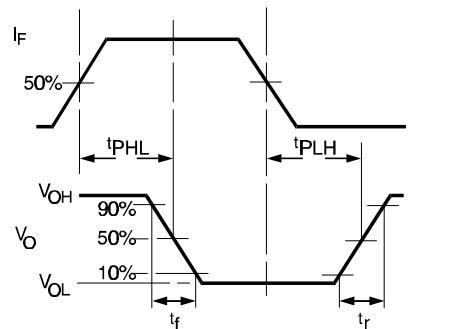
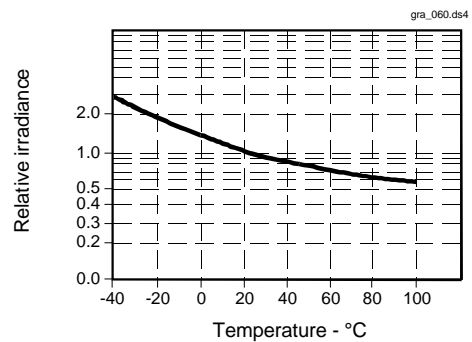


Fig. 2 Threshold Irradiance vs Temperature



SD5620/5630

Optoschmitt Detector

Fig. 3 Output Rise Time (t_r) and Output Fall Time (t_f) vs Temperature gra_061.ds4

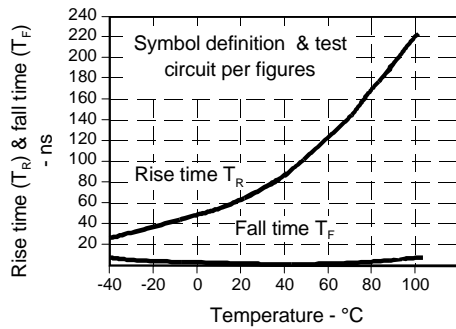


Fig. 4 Delay Time vs Temperature gra_062.ds4

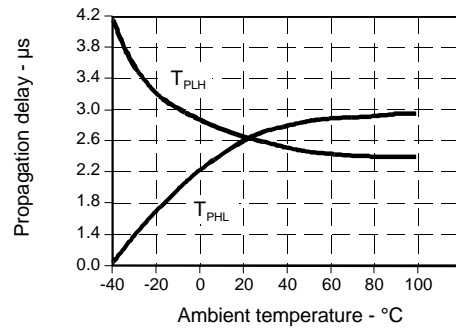
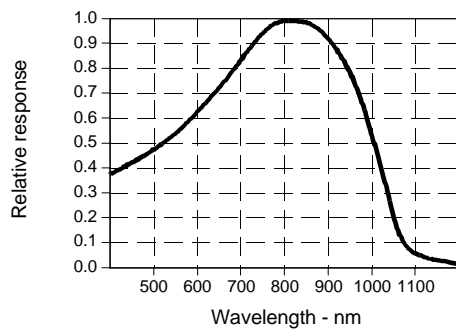


Fig. 5 Spectral Responsivity gra_063.ds4



All Performance Curves Show Typical Values

X-ON Electronics

Largest Supplier of Electrical and Electronic Components

Click to view similar products for [Photo IC Sensors](#) category:

Click to view products by [Honeywell](#) manufacturer:

Other Similar products are found below :

[OPL800](#) [OPL801-OC](#) [OPL810](#) [OPL811-OC](#) [OPL820](#) [OPL536A](#) [OPL560](#) [OPL800-OC](#) [OPL801](#) [OPL813-OC](#) [OPL820-OC](#) [HOA6299-003](#)
[SD5630-001](#) [SD5630-002](#) [SDP8600-003](#) [SDP8610-003](#) [SDP8611-002](#) [SDP8611-003](#) [SDP8614-301](#) [LTDL-TA16A](#) [OPL821](#) [OPL530](#)
[OPL530-OC](#) [OPL531A](#) [OPL531-OCA](#) [OPL550](#) [OPL550A](#) [OPL550-OCA](#) [OPL551](#) [OPL551-OC](#) [OPL561-OC](#) [OPL561-OCA](#) [OPL562](#)
[OPL562-OC](#) [OPL563](#) [OPL563-OC](#) [OPL583](#) [OPL811](#) [VEML3328](#) [VEML3328SL](#) [VEML6040A3OG](#)