

Honeywell



Representative photograph, actual product appearance may vary.

Due to regional agency approval requirements, some products may not be available in your area. Please contact your regional Honeywell office regarding your product of choice.

SE2460-003

SE Series GaAs Infrared Emitting Diode, Miniature Hermetically Sealed Metal Pill Style Package

Features

- Miniature, hermetically sealed, pill style, metal can package
- 48 ° (nominal) acceptance angle
- Wide operating temperature range [-55 °C to 125 °C]
- Ideal for direct mounting to printed circuit boards
- Mechanically and spectrally matched to SE2460 and SE2470 infrared emitting diodes

Description

The SD2420 is a PN silicon photodiode mounted in a hermetically sealed, glass lensed, metal can package. This package directly mounts in double sided PC boards.

Honeywell

SE2460-003

SE Series GaAs Infrared Emitting Diode, Miniature Hermetically Sealed Metal Pill Style Package

Product Specifications

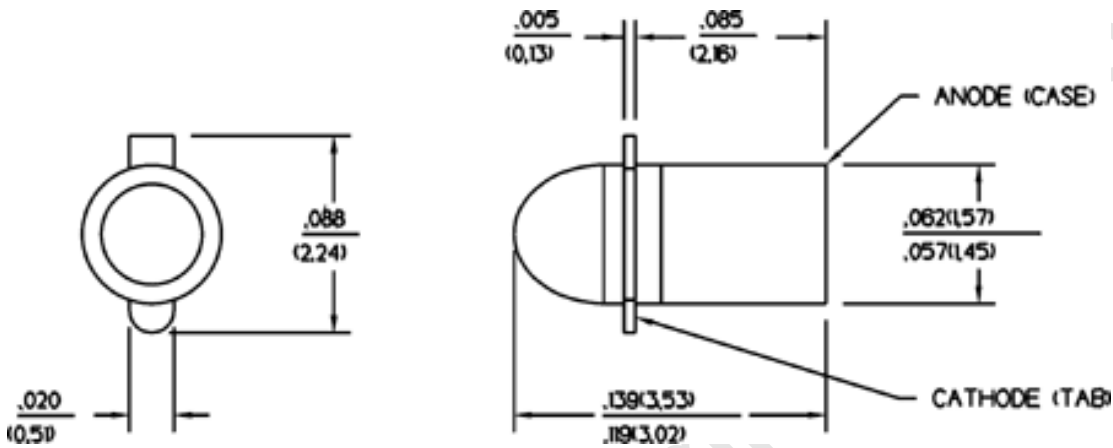
Product Type	IR Component
Power Output	1.00 mW min
Beam Angle (Degree)	18
Package Style	Miniature, Pill
Package Components	Metal
Forward Current	50 mA
Continuous Forward Current	75 mA
Forward Voltage	1.6 V
Reverse Breakdown Voltage	3 V
Output Wavelength	935 nm
Spectral Bandwidth	50 nm
Spectral Shift With Temperature	0.3 nm/°C

Rise and Fall Time	0.7 μ s
Power Dissipation	125 mW
Operating Temperature Range	-55 °C to 125 °C [-67 °F to 257 °F]
Availability	Global
Product Name	Infrared Emitting Diode

Honeywell

SE2460-003

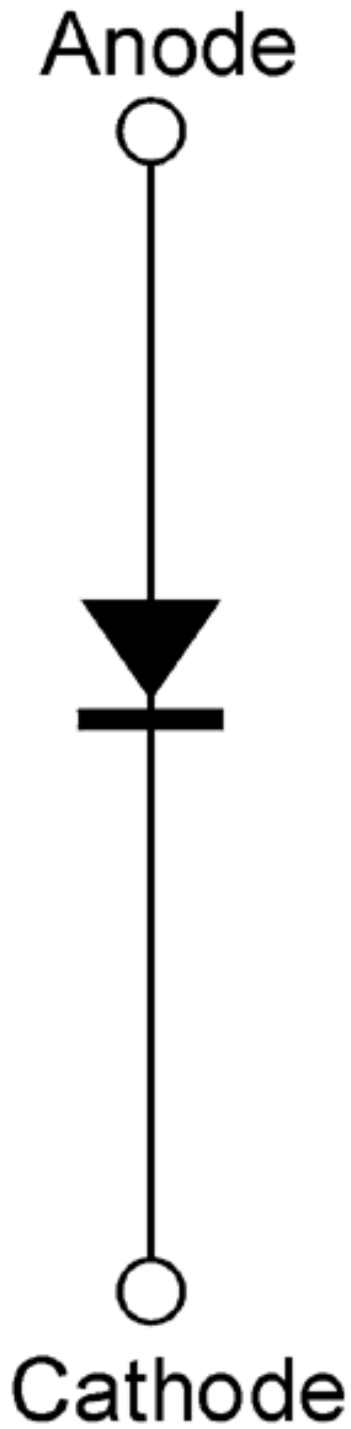
SE Series GaAs Infrared Emitting Diode, Miniature Hermetically Sealed Metal Pill Style Package



Honeywell

SE2460-003

SE Series GaAs Infrared Emitting Diode, Miniature Hermetically Sealed Metal Pill Style Package



onlinecomponents.com

Honeywell

SE2460-003

SE Series GaAs Infrared Emitting Diode, Miniature Hermetically Sealed Metal Pill Style Package

⚠ WARNING**PERSONAL INJURY**

DO NOT USE these products as safety or emergency stop devices, or in any other application where failure of the product could result in personal injury.

Failure to comply with these instructions could result in death or serious injury.

⚠ WARNING**MISUSE OF DOCUMENTATION**

- The information presented in this product sheet (or catalog) is for reference only. DO NOT USE this document as product installation information.
- Complete installation, operation and maintenance information is provided in the instructions supplied with each product.

Failure to comply with these instructions could result in death or serious injury.

© Copyright Honeywell Inc.1998-2004 All rights reserved.

onlinecomponents.com

X-ON Electronics

Largest Supplier of Electrical and Electronic Components

Click to view similar products for [Infrared Emitters](#) category:

Click to view products by [Honeywell](#) manufacturer:

Other Similar products are found below :

[LTE-3279K](#) [LTE-4208C](#) [EAILP03RDAA6](#) [LTE-2871C](#) [LTE-4238](#) [ASDL-4264-C22](#) [EAIPL3528Z0](#) [OED-EL305F4C50-HT](#) [OP216-004](#)
[LTE-3376](#) [IN-P32ZTHIR](#) [EAIST3535A1](#) [OSIXCA5B41A](#) [OSI5120631F](#) [LKIR30102C-A01\(XY\)](#) [IR234C](#) [LTE-C195IRG](#) [ZSIR-3210C-](#)
[15A-C3](#) [HIR204C/H0](#) [HIR204/H0](#) [HIR323C](#) [IR12-21C/TR8](#) [IR17-21C/TR8](#) [IR26-21C/L110/TR8](#) [IR383](#) [IR91-21C/TR10](#) [KM-4457F3C](#) [L-](#)
[53F3BT](#) [WP3A10F3C](#) [WP710A10F3BT](#) [WP7113F3BT](#) [WP7113F3C](#) [LTE-4208](#) [OP235W](#) [OP297FAB](#) [WP7113SF7C](#) [WP7113SF6C](#) [IR67-](#)
[21CTR8](#) [IR42-21C/TR8](#) [IR204C-A](#) [HSDL-4261](#) [APT1608SF4C-PRV](#) [APA3010F3C-GX](#) [MTE1077N1-R](#) [MTE1081C](#) [MTE1300N](#)
[MTE1300-WRC](#) [MTE8600CP](#) [MTE8600M2](#) [MTE8600P](#)