



## SR13F-A1

**SR13 Series Hall-Effect Digital Position Sensor; Snap-in Housing; Sinking Output; unipolar magnetics; 3.8 to 30 Vdc supply voltage**

### Features

- Digital current sinking output
- Quad-Hall design eliminates stress effects
- Temperature compensated magnetics
- High output capability

*Representative photograph, actual product appearance may vary.*

*Due to regional agency approval requirements, some products may not be available in your area. Please contact your regional Honeywell office regarding your product of choice.*

### Description

The newly introduced SR13/15 Series package enhancements permit quick and easy sensor installation, increasing the usability of the SS400 Series. These devices can be installed without additional mounting hardware. The snap-in and flat mount sensor packages can house any of the present SS400 Series sensors or any similarly sized sensing elements.



## SR13F-A1

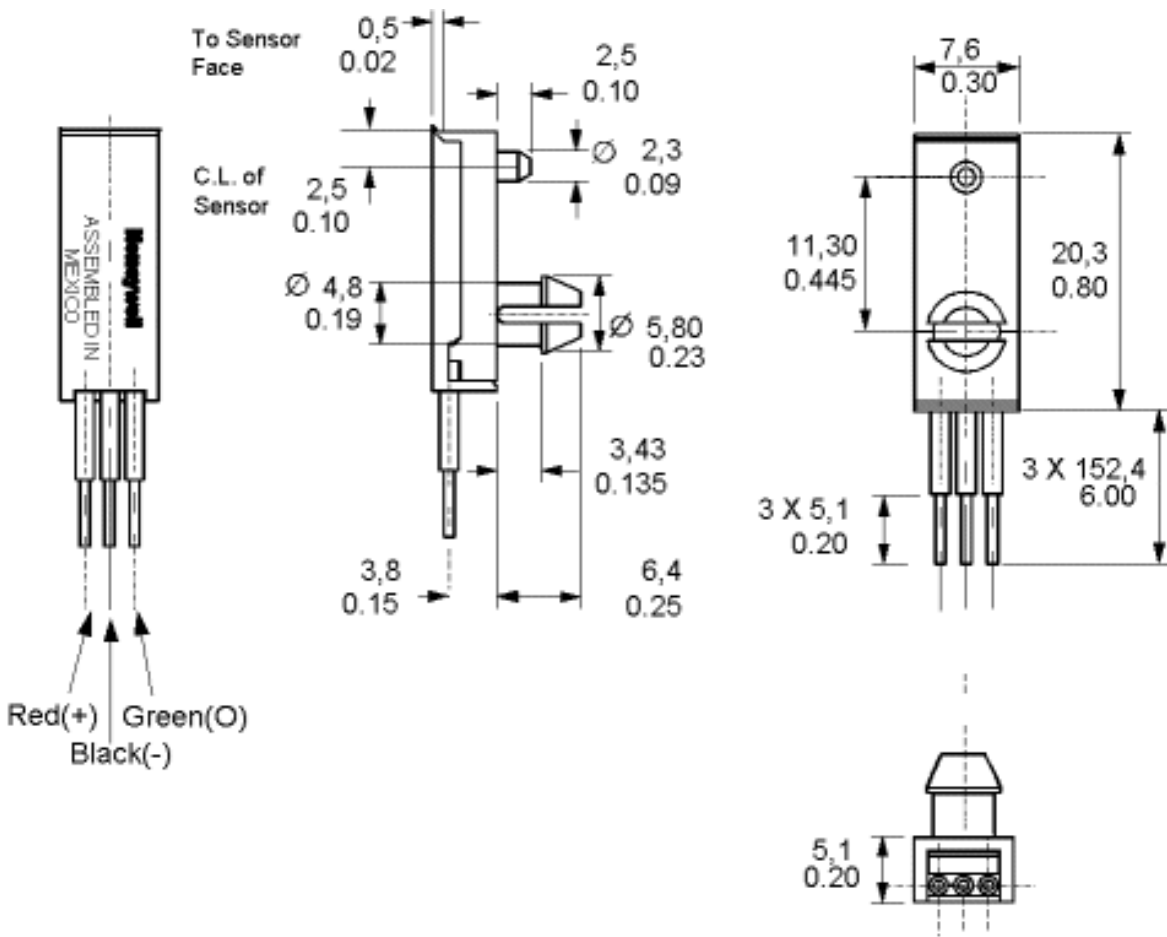
**SR13 Series Hall-Effect Digital Position Sensor; Snap-in Housing; Sinking Output; unipolar magnetics; 3.8 to 30 Vdc supply voltage**

Product Specifications	
<b>Product Type</b>	Hall-Effect Digital Position Sensor
<b>Package Style</b>	Plastic Snap-in
<b>Supply Voltage</b>	3.8 Vdc to 30.0 Vdc
<b>Output Type</b>	Sink
<b>Termination Type</b>	152,4 mm [6.0 in] stranded lead wires
<b>Magnetic Actuation Type</b>	Unipolar
<b>Operating Temperature Range</b>	-40 °C to 150 °C [-40 °F to 302 °F]
<b>Output Voltage</b>	0.4 Vdc max.
<b>Availability</b>	Global
<b>Supply Current (max. @ 25 °C)</b>	13 mA
<b>Output Current (max.)</b>	20 mA
<b>Operate Point @ 25 °C</b>	39.0 mT [390 G] max.
<b>Release Point @ 25 °C</b>	23.5 mT [235 G] min.
<b>Differential</b>	3.0 mT [30 G] min.
<b>Series Name</b>	SR13 Series

# Honeywell

## SR13F-A1

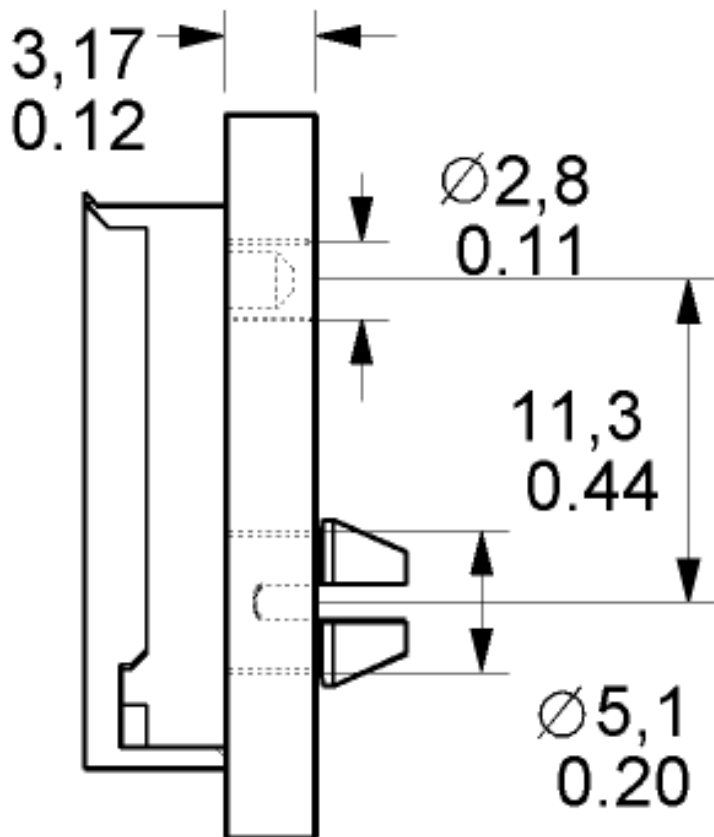
SR13 Series Hall-Effect Digital Position Sensor; Snap-in Housing; Sinking Output; unipolar magnetics; 3.8 to 30 Vdc supply voltage



**Honeywell**

**SR13F-A1**

**SR13 Series Hall-Effect Digital Position Sensor; Snap-in Housing; Sinking Output; unipolar magnetics; 3.8 to 30 Vdc supply voltage**



**Honeywell**

## SR13F-A1

SR13 Series Hall-Effect Digital Position Sensor; Snap-in Housing; Sinking Output; unipolar magnetics; 3.8 to 30 Vdc supply voltage

### **⚠ WARNING**

#### **PERSONAL INJURY**

DO NOT USE these products as safety or emergency stop devices, or in any other application where failure of the product could result in personal injury.

**Failure to comply with these instructions could result in death or serious injury.**

 **WARNING**

**MISUSE OF DOCUMENTATION**

- The information presented in this product sheet (or catalog) is for reference only. DO NOT USE this document as product installation information.
- Complete installation, operation and maintenance information is provided in the instructions supplied with each product.

**Failure to comply with these instructions could result in death or serious injury.**

© Copyright Honeywell Inc. 1998-2004 All rights reserved.

## X-ON Electronics

Largest Supplier of Electrical and Electronic Components

*Click to view similar products for [Board Mount Hall Effect/Magnetic Sensors](#) category:*

*Click to view products by [Honeywell](#) manufacturer:*

Other Similar products are found below :

[HGPRDT005A](#) [AH1808-P-A](#) [AH277AZ4-AG1](#) [AV-10379](#) [AV-10448](#) [SS41C](#) [AH1894-Z-7](#) [ATS601LSGTN-HT-WU4-T](#) [ATS601LSGTN-LT-WU4-T](#) [TLE4917](#) [50017859-003](#) [TY-13101](#) [SS85CA](#) [AH277AZ4-BG1](#) [TLE49614MXTSA1](#) [AH3382-P-B](#) [AH3377-P-B](#) [AH9250-W-7](#) [AH211Z4-AG1](#) [AH3360-FT4-7](#) [SS460S-100SAMPLE](#) [50065820-03](#) [TLE4941PLUSCB](#) [AH374-P-A](#) [AH1806-P-A](#) [AH374-W-7](#) [SS460P-T2](#) [AH1912-FA-7](#) [SS413F](#) [TLE5046ICAKLRHALA1](#) [TLE49421CHAMA2](#) [TLE4941PLUSCXAMA1](#) [AH1912-W-EVM](#) [AH1903-FA-EVM](#) [AH3774-W-EVM](#) [AH49FNTR-EVM](#) [MMC5633NJL](#) [AH3360-FA-EVM](#) [AH8502-FDC-EVM](#) [AH3366Q-SA-EVM](#) [AH3774-P-EVM](#) [KTH1601SU-ST3](#) [MG910](#) [MG910M](#) [MG911](#) [MG610](#) [MW921](#) [MW922](#) [TLE4998S3XALA1](#) [TLE5011FUMA1](#)