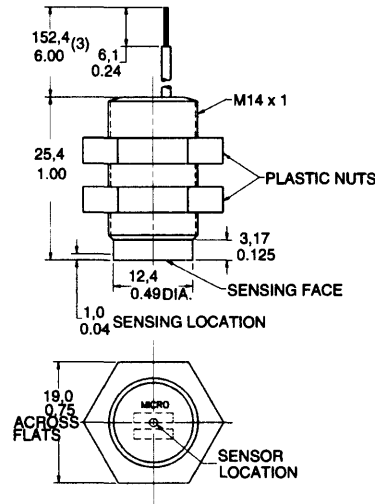


FEATURES

- Completely enclosed housing
- Color coded leadwires
- High speed, no-touch operation over 100 kHz possible
- Adjustable mounting
- Reverse polarity protection (bipolar listing)
- Meets NEMA 3, 3R, 3S, 4, 4X, 12 and 13 requirements
- Bushing is PBT (Valox 420 SEO) 30% glass filled

MOUNTING DIMENSIONS

(For reference only)

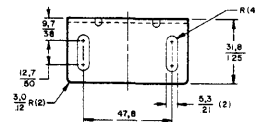
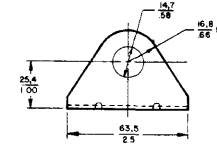


24AWG Leadwire color code:

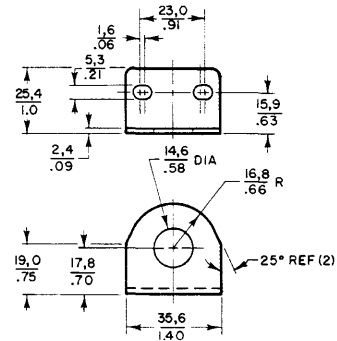
- Red Vs (+)
- Green Output
- Black Ground (-)

MOUNTING BRACKETS

1SR14M



1SR14MHD



SR3 ORDER GUIDE

Catalog Listings		SR3F-A1	SR3B-A1	SR3G-A1	SR3C-A1	SR4P2-A1	
Supply Voltage (VDC)		4.5 to 24	4.5 to 24	4.5 to 24	4.5 to 24	6 to 24	
Supply Current (mA max.)		18.0	15.0	22.0	19.0	13.5	
Output Type		Sink	Sink	Sink	Sink	Sink	
Output Voltage (V max.)		0.40	0.40	0.40	0.40	0.40	
Current per Output (mA max.)		10	10	10	10	20	
Magnetics Type		Unipolar (1)	Bipolar (2)	Unipolar (1)	Unipolar (1)	Omnipolar (3)	
Magnetic Char. & Temp.	-40 to 85°C (-40 to +185°F)	Max. Op.	G mT	G mT	G mT	G mT	G mT
			450 45.0	150 15.0	430 43.0	190 19.0	25 2.5
		Min. Rel.	170 17.0	-150 -15.0	160 16.0	60 6.0	5 0.5
	25°C (+77°F) Typical	Min. Dif.	20 2.0	40 4.0	50 5.0	10 1.0	7 0.7
		Typ. Op.	400 40.0	90 9.0	350 35.0	150 15.0	15 1.5
		Typ. Rel.	185 18.5	- 90 - 9.0	280 28.0	100 10.0	11 1.1
Typ. Dif.		20 2.0	80 8.0	70 7.0	30 3.0	4 0.4	

- (1) A unipolar sensor has a plus maximum operate point and a plus minimum release point. One magnetic pole (south) is required to operate and release a unipolar sensor.
- (2) A bipolar sensor has a plus (south pole) maximum operate point and a minus (north pole) minimum release point. Operate and release points can be both positive, or both negative. **Latching cannot be guaranteed.** Ring magnets are usually used with bipolar sensors.
- (3) An omnipolar sensor operates with any magnetic field (north or south pole).
- (4) Operating characteristics are from -20°C to +85°C for SR4P2-A1.
- (5) To order 1 meter jacketed leads, replace the 1 at end of listing with a 2.

Example: SR3B-A2.

G = Gauss
mT = milliTesla

Solid State Sensors

Analog Position Sensors

GENERAL INFORMATION

Analog devices are designed to produce an output voltage proportional to the intensity of the magnetic field to which it is exposed.

- Hall effect integrated circuit is mounted on a ceramic substrate. Laser trimmed thick film resistors on the ceramic substrate result in consistent sensitivity from one device to the next, and provide compensation for temperature variations. These analog position sensors feature three pin in-line terminals on .100 inch mounting centers.
- Small, cost-effective plastic packages. They are available on tape-and-reel for automated assembly.
- Rugged aluminum housing has color coded leadwires.

For absolute maximum ratings, see pages 75 and 76.

X-ON Electronics

Largest Supplier of Electrical and Electronic Components

Click to view similar products for [Industrial Hall Effect/Magnetic Sensors](#) category:

Click to view products by [Honeywell](#) manufacturer:

Other Similar products are found below :

[GT-13013](#) [GT-13040](#) [GT-14114](#) [GT-14123](#) [SR4P2-C7](#) [GT-12076](#) [GT-13012](#) [GT-14049](#) [GT-14067](#) [GT-14132](#) [GT-18030](#) [103FW12-R3](#)
[SMSA2P30CG](#) [GN 55.2-SC-8-3](#) [GN 55.4-SC-7.5-4-1.5](#) [103FW41-R1](#) [SR-10018](#) [PST360G2-1S-C0000-ERA360-05K](#) [103SR14A-1](#) [MZT7-03VPS-KR0](#) [MZT7-03VPS-KW0](#) [MZT8-03VPS-KW0](#) [MZT8-28VPS-KP0](#) [GN 55.2-ND-15-3](#) [GN 55.2-ND-18-3](#) [GN 55.2-ND-4-3](#) [GN 55.2-ND-8-3](#) [GN 55.2-SC-10-3](#) [GN 55.4-ND-10-7,5-2](#) [GN 55.4-ND-12-9,5-2,5](#) [GN 55.4-ND-26-20,3-5](#) [GN 55.4-ND-7,5-4-1,5](#) [101MG7-BP](#)
[A1389LUA-9-T](#) [A1233LK-T](#) [MXM1120KIT](#) [MXM1120SOKIT](#) [A1220LLHLT-T](#) [AA004-00E](#) [AA006-02E](#) [ACX04-F99-I-V15](#) [GN 55.1-SC-24-11.5-4](#) [MZA70155](#) [MZR40158](#) [PW520000](#) [ADH025-00E](#) [MZT7-03VPS-KP0](#) [MZT8-03VPS-KR0](#) [HMR2300-D00-485](#) [RZT7-03ZRS-KP0](#)