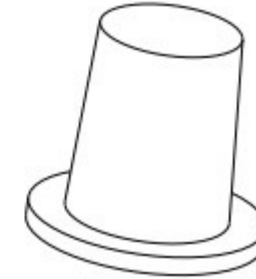
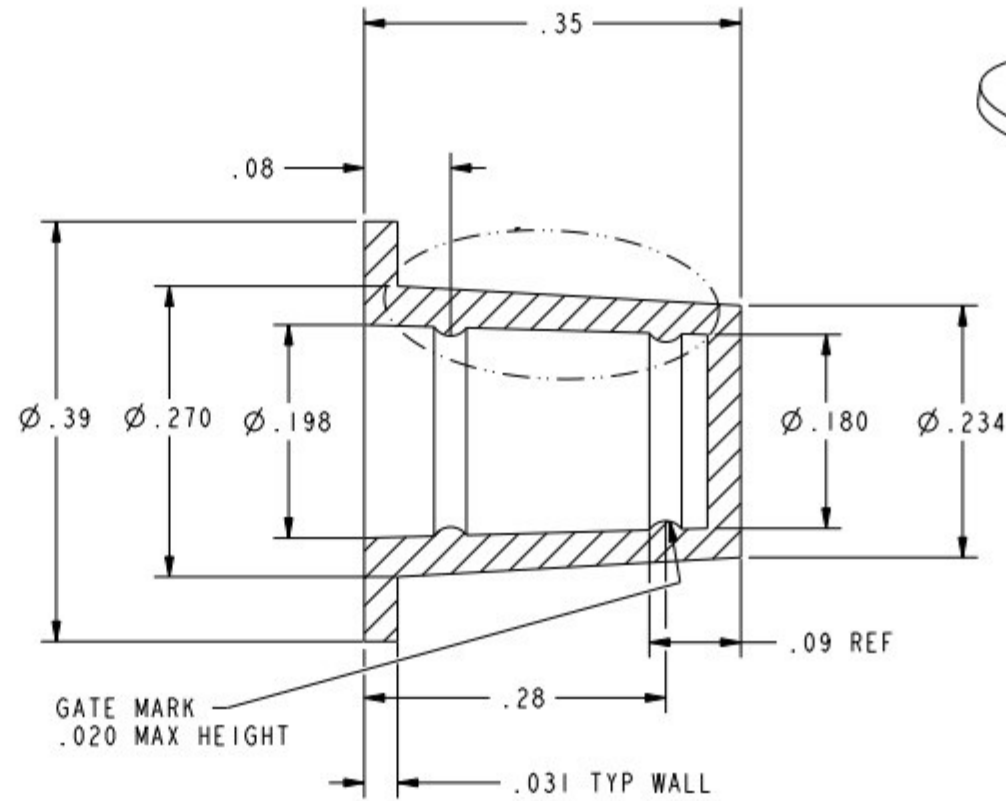
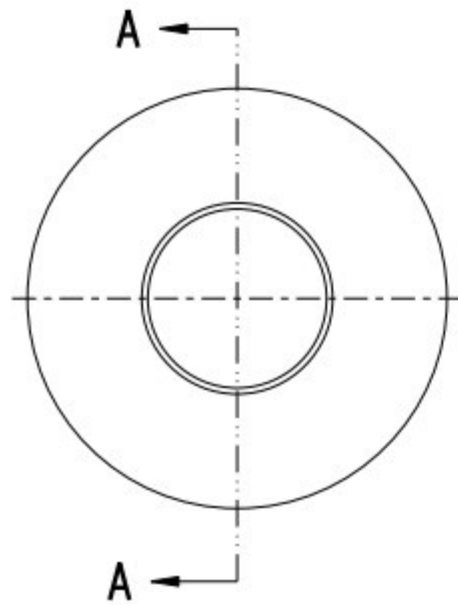


FO-55111-B

HONEYWELL  
PART NUMBER  
50014852-001



NOTES:

- 1- MATERIAL: INJECTION GRADE FLEXIBLE PVC
- 2- COLOUR: RED
- 3- ORACLE ALIAS SS-12225

DESIGN UNITS: INCH	
TOLERANCES UNLESS NOTED:	
NO PLACES	x ± 0.40
ONE PLACE	.x ± 0.030
TWO PLACE	.xx ± 0.015
THREE PLACE	.xxx ± 0.005
FOUR PLACE	.xxxx ±
ANGLES	x ±
THIRD ANGLE PROJECTION	

DRAWN	PRS	12SEP07
CHECK	CMH	12SEP07
THIS DRAWING COVERS A PROPRIETARY ITEM AND IS THE PROPERTY OF HONEYWELL. THIS DRAWING IS NOT TO BE COPIED OR USED WITHOUT THE PERMISSION OF HONEYWELL.		
INTERPRET PER ASME Y14.5M-1994 OTHER HONEYWELL ENGINEERING STANDARDS MAY APPLY		
Pro/ENGINEER 3D		

<b>Honeywell</b>			
TITLE <b>CAP</b>			
SIZE	TYPE	DRAWING NAME	REV
<b>B</b>	<b>E</b>	<b>50014852</b>	<b>B</b>
SCALE	NTS	SHEET 1 OF 1	

## X-ON Electronics

Largest Supplier of Electrical and Electronic Components

*Click to view similar products for [Sensor Fixings & Accessories](#) category:*

*Click to view products by [Honeywell](#) manufacturer:*

Other Similar products are found below :

[F03-01 SUS304 BINIL](#) [8000-5130](#) [FH-AP1](#) [PH-1-10M](#) [PH-1-20M](#) [PH-2-30M](#) [AC201](#) [R4](#) [ADI-LC3S](#) [EC18-WELL](#) [PC-15015](#) [K35-4](#) [A-1923](#) [SS-12143](#) [STA12](#) [AP4-T](#) [PH-1-50M](#) [R6](#) [D01051301](#) [43912557-020](#) [MF-1 D=3.2](#) [BGN-035](#) [E39-L7](#) [ZX-SB11](#) [D01070602](#) [606072](#) [606075](#) [Y92ES12PVC4A10ML](#) [Y92ES12PVC4S5ML](#) [SA9Z-F11](#) [Z49-SF1](#) [ZFV-XMF2](#) [E4R-R12A-CS3M010](#) [28810-2](#) [ZX-SW11E V3](#) [CCS-PL-LDR2-70](#) [E4R-R12A-CS3M020](#) [BS-1T CHITAN](#) [F03-01 CHITAN](#) [CCS-PD2-1012](#) [ZX-SFW11E V3](#) [PH-2-90M](#) [PH-2-5M](#) [XMLZL008](#) [AC244](#) [28810-1](#) [PH-1-40M](#) [SS-12225](#) [32043-500](#) [81532111](#)