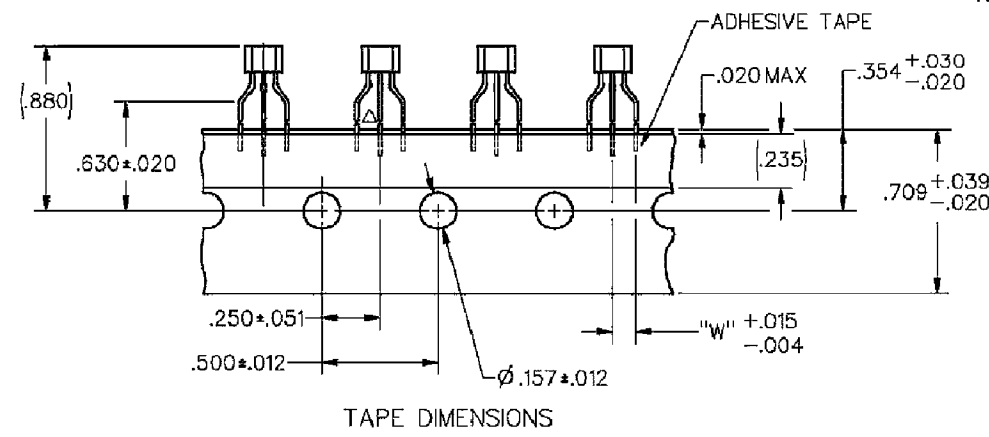


HONEYWELL
PART NUMBER

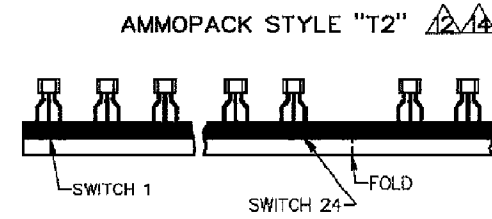
SS491 SERIES CHART 1

REV	DOCUMENT	CHANGED BY	CHECK
A	0014722	PS 04OCT05	VK

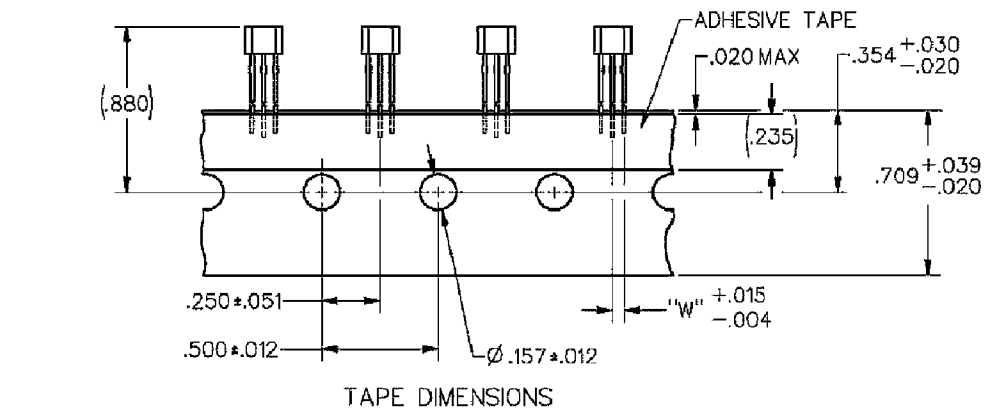
TAPE PACKING OPTIONS



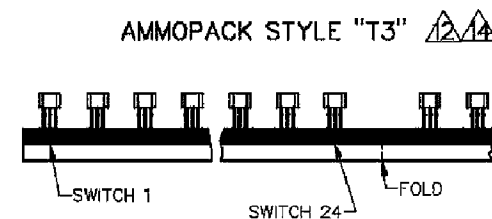
TAPE DIMENSIONS



TAPE STYLE



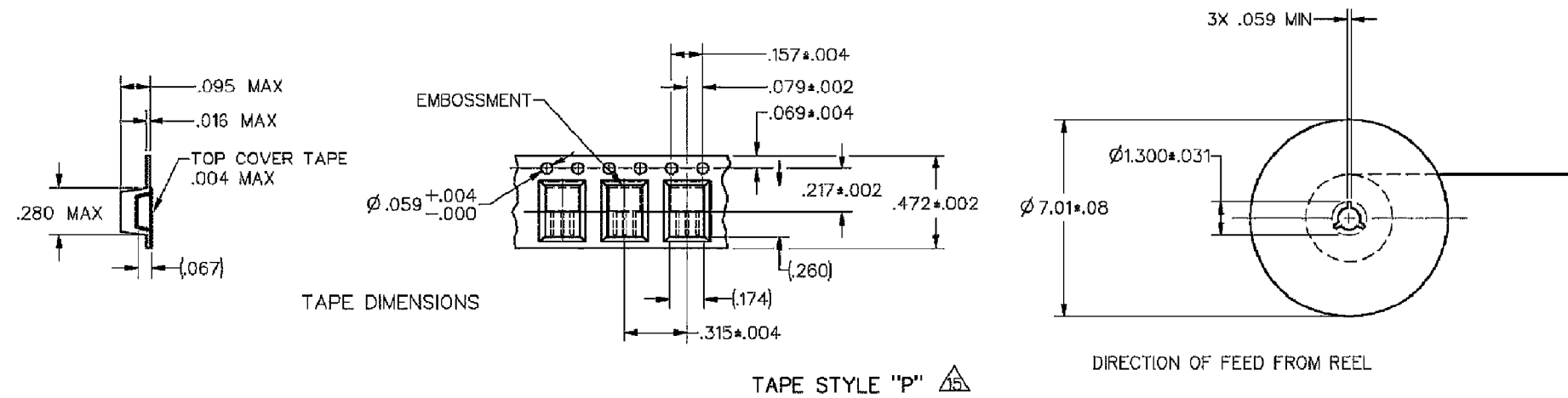
TAPE DIMENSIONS



TAPE STYLE

NOTES

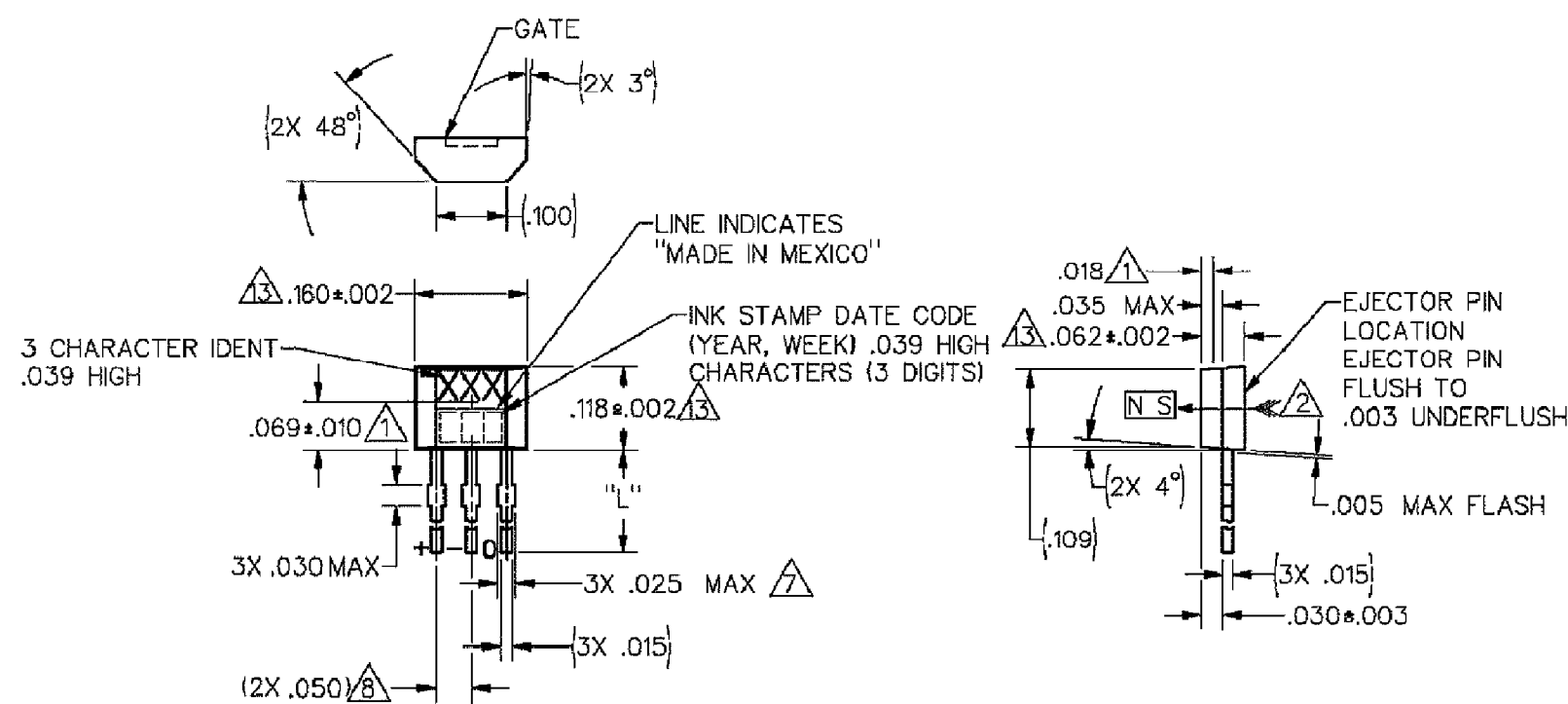
- 1 CENTERLINE OF HALL CELL
- 2 THE + MAGNETIC FLUX IS IN THE DIRECTION SHOWN (THIS ASSUMES THE CONVENTION THAT THE DIRECTION OF THE EXTERNAL FLUX OF A MAGNET IS FROM THE NORTH TO THE SOUTH POLE OF THE MAGNET)
- 3 - THE DEVICE CANNOT BE DAMAGED BY MAGNETIC OVERDRIVE
- 4 - OUTPUT TYPE - RATIO-METRIC
- 5 - LEADS MUST BE ADEQUATELY SUPPORTED DURING ANY FORMING/SHEERING OPERATION TO ASSURE THAT THE LEADS ARE NOT STRESSED WITHIN THE PLASTIC
- 6 - PCB WAVE SOLDERING GUIDELINES ARE AS FOLLOWS:
 250°C TO 260°C SOLDERING TEMPERATURE 3 SECONDS MAX SOLDERING TIME
 BURRS ARE ALLOWED ONLY IF FULL LENGTH OF LEADS WILL PASS THROUGH Ø.023 HOLE.
 LEAD REFERENCE DIMENSIONS DO NOT INCLUDE SOLDER THICKNESS
- 8 DIMENSION REFERS TO THE LOCATION OF LEAD CENTERLINES AS THEY EXIT THE PLASTIC PACKAGE
- 9 - SOME COMBINATIONS OF BASIC LISTING AND PACKAGE OPTIONS MAY NOT BE AVAILABLE
 ABSOLUTE MAXIMUM RATINGS ARE THE EXTREME LIMITS THE DEVICE WILL MOMENTARILY WITHSTAND WITHOUT DAMAGE TO THE DEVICE. ELECTRICAL AND MAGNETIC CHARACTERISTICS ARE NOT GUARANTEED IF THE RATED VOLTAGE AND/OR CURRENTS ARE EXCEEDED NOR WILL THE DEVICE NECESSARILY OPERATE AT ABSOLUTE MAXIMUM RATINGS
- 11 LEAD STRAIGHTNESS MAY BE DETERIORATED ON SOME UNITS BY BULK PACKAGING. APPLICATIONS HAVING A CRITICAL LEAD STRAIGHTNESS REQUIREMENT SHOULD USE A TAPE PACKAGING OPTION
- 12 AMMOPACK STYLE "T2" & "T3". 24 SWITCHES BETWEEN FOLDS, SKIP 1 SPACE AT FOLD. MAY BE REFERRED TO AS "FAN FOLD"
- 13 MOLDED PART DIMENSIONS DO NOT INCLUDE FLASH. FLASH IS LIMITED TO .005 MAXIMUM
- 14 TAPE AND AMMOPACK PER EIA-468
- 15 POCKET TAPE PER EIA-481



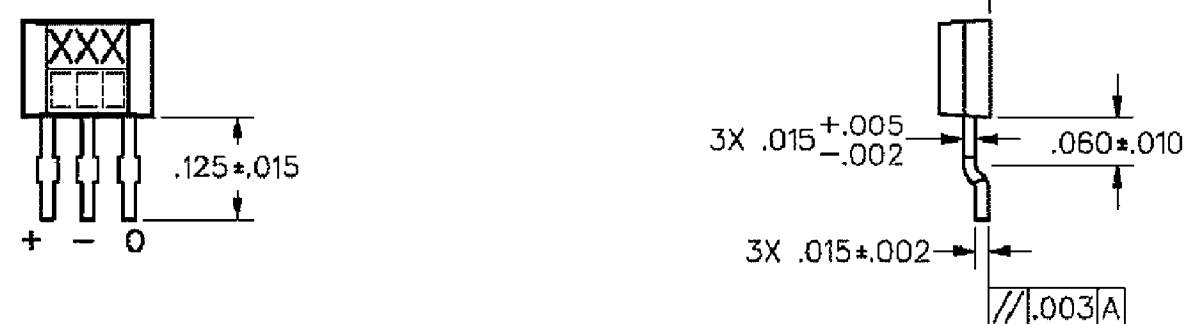
TAPE DIMENSIONS

TAPE STYLE "P"

CATALOG LISTING	TAPE STYLE	DIM "L"	DIM "W"	COMMENTS
SS491B	NONE	.590	.050	BULK-1000/BAG
SS491B-F	NONE	.590	.100	BULK-1000/BAG
SS491B-T2	T2	.590	.100	5000/BOX
SS491B-T3	T3	.590	.050	5000/BOX
SS491B-S	NONE	.125	.050	BULK-1000/BAG
SS491B-SP	P	.125	.050	1000/PACKET TAPE AND REEL



OPTIONAL SURFACE MOUNT LEAD STYLE

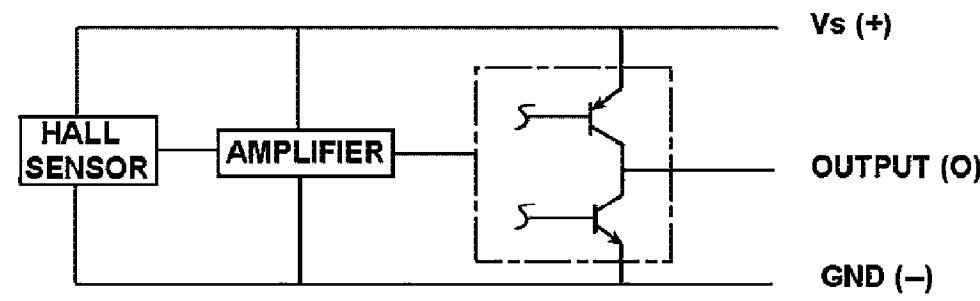


DESIGN UNITS: INCH TOLERANCES UNLESS NOTED:	DRAWN PS 04OCT05 CHECK VK 04OCT05	THIS DRAWING COVERS A PROPRIETARY ITEM AND IS THE PROPERTY OF HONEYWELL. THIS DRAWING IS NOT TO BE COPIED OR USED WITHOUT THE PERMISSION OF HONEYWELL.	
ONE PLACE .X ± 0.030 TWO PLACE .XX ± 0.015 THREE PLACE .XXX ± 0.005 ANGLES 2	INTERPRET PER ANSI Y14.5M-1982 OTHER HONEYWELL ENGINEERING STANDARDS MAY APPLY	TITLE MINIATURE RATIO-METRIC LINEAR HALL EFFECT SENSOR	DRAWING NAME SS491 SERIES CHART 1
THIRD ANGLE PROJECTION	RASTER	SIZE C SCALE NTS	REV A SHEET 1 OF 2

CHARACTERISTICS ARE AT $V_s = 10.0$ Vdc WITH 4.7K OUTPUT TO MINUS AND $T_A = -40^\circ\text{C}$ TO $+85^\circ\text{C}$ UNLESS OTHERWISE SPECIFIED

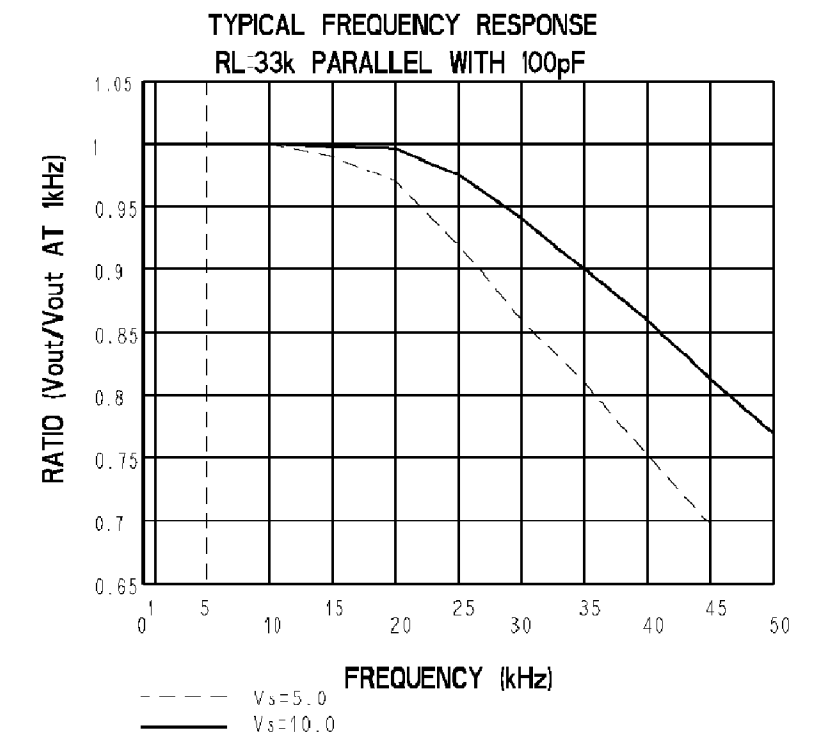
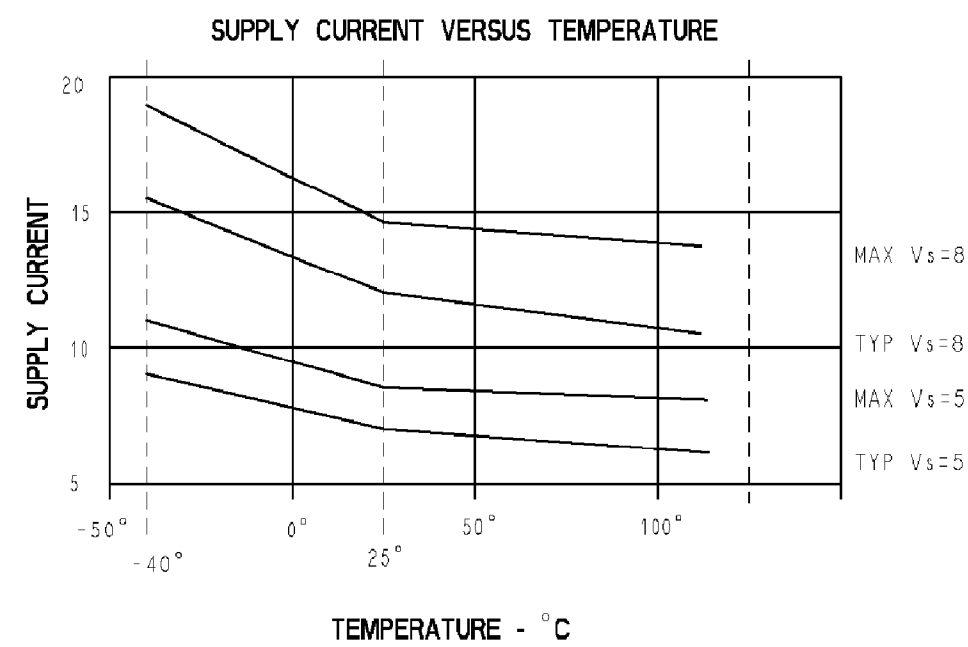
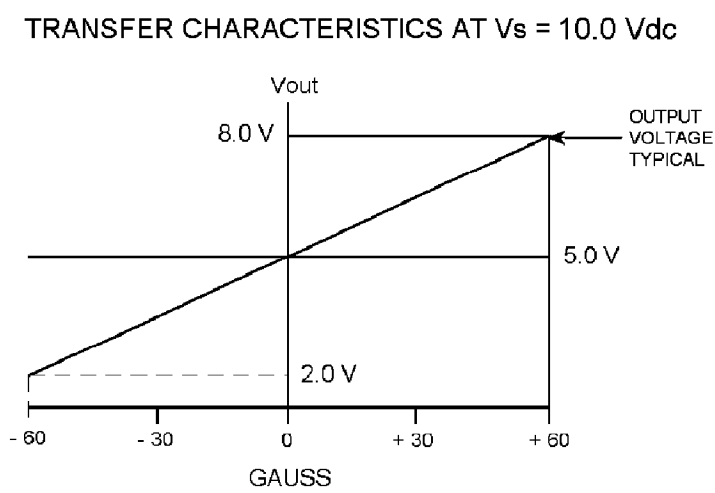
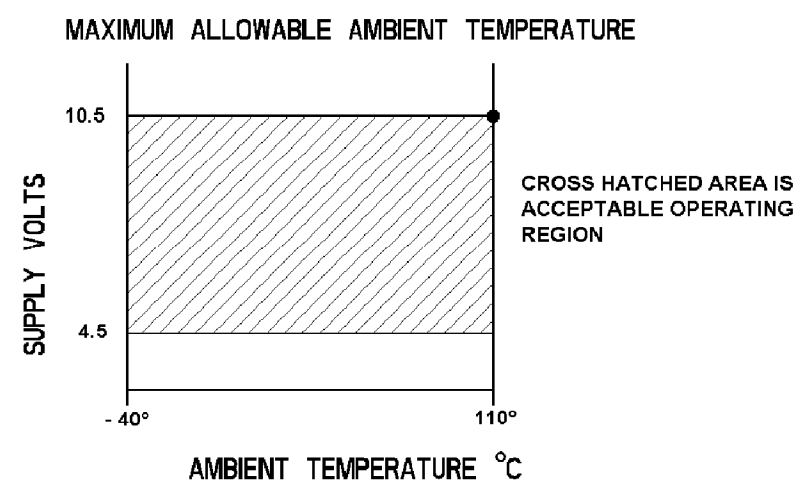
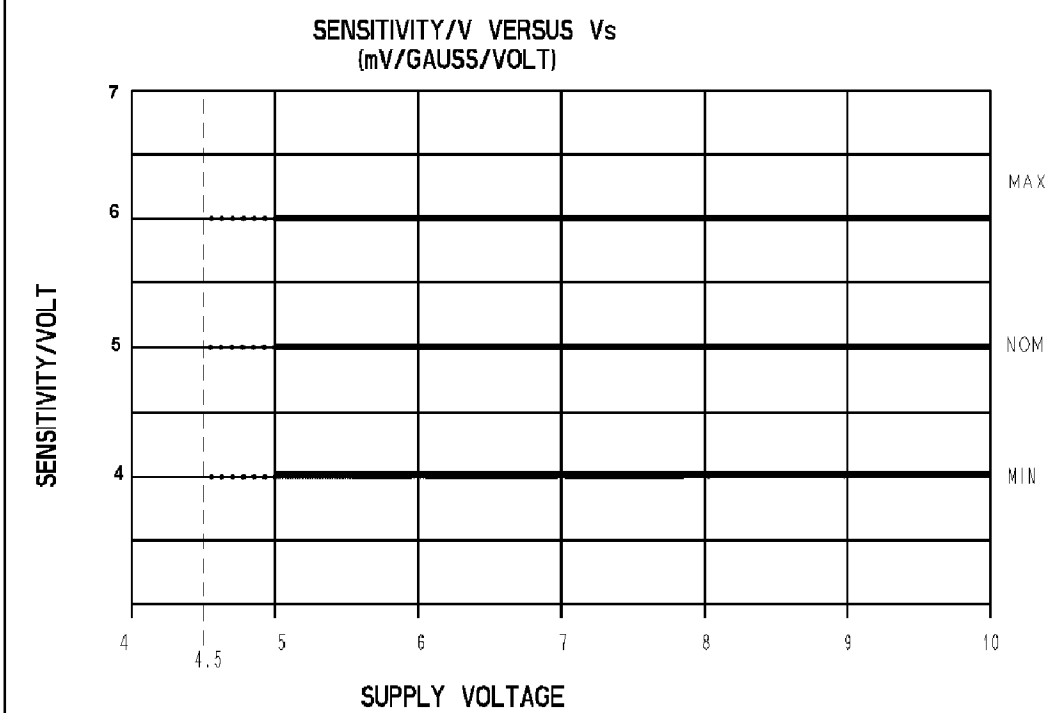
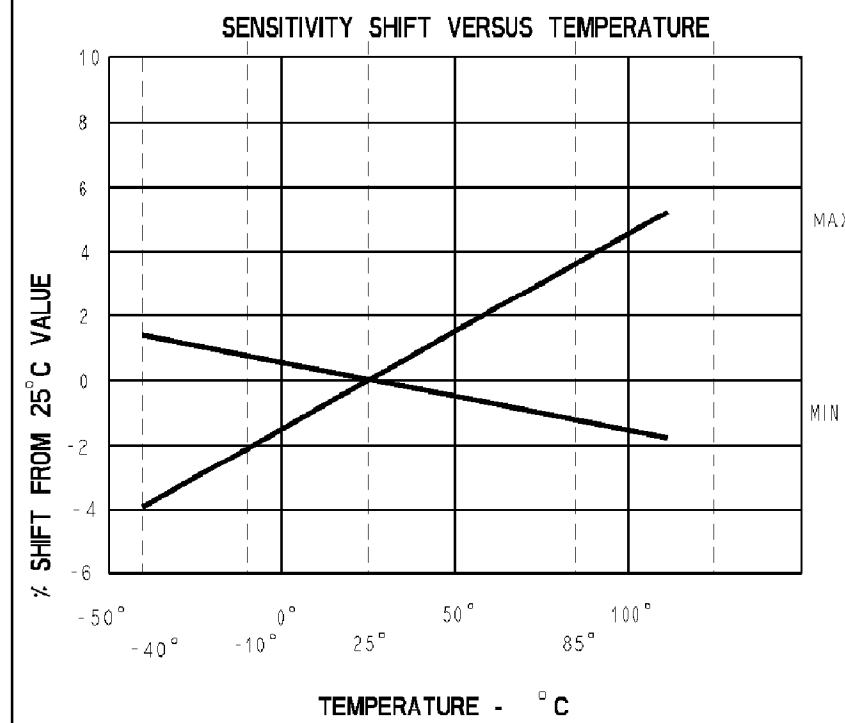
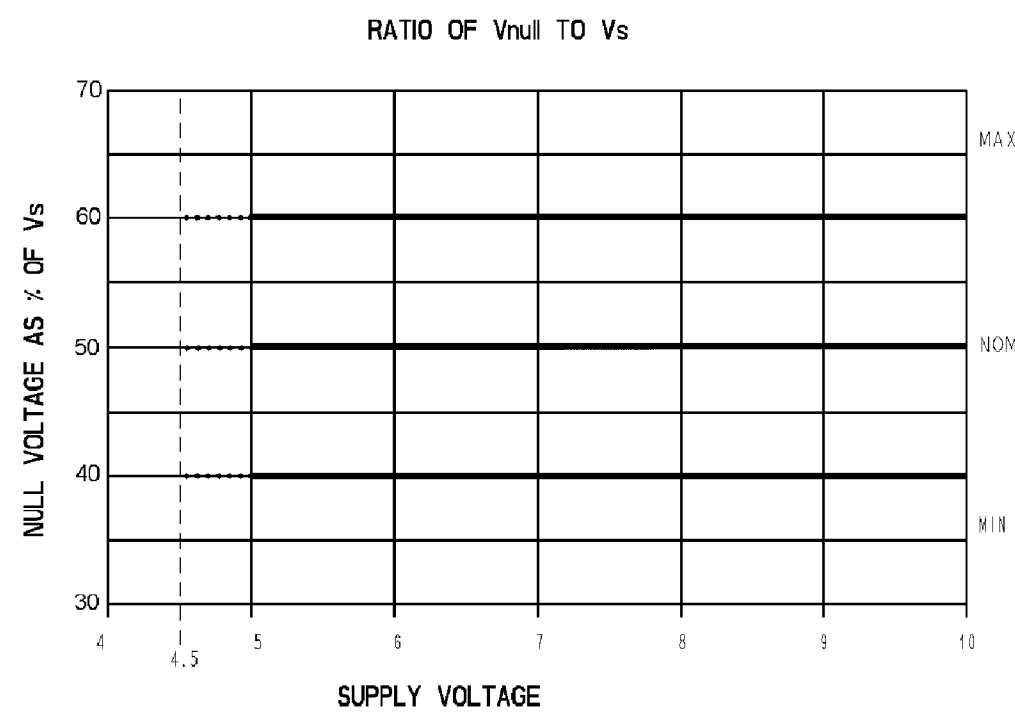
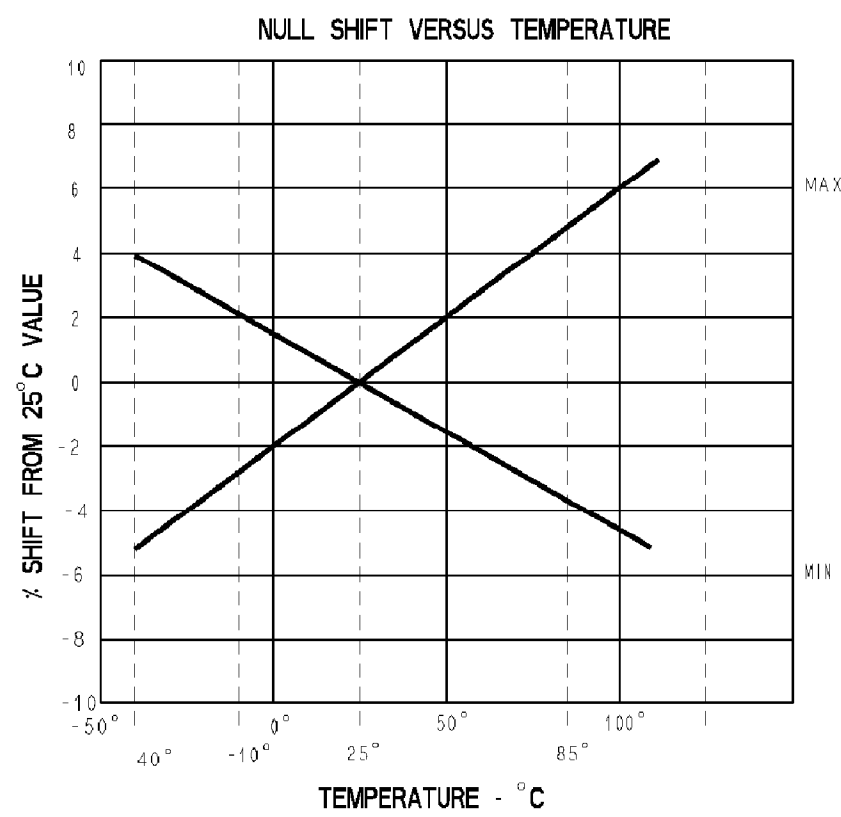
PARAMETER	CONDITIONS	MIN	TYP	MAX	UNITS
SENSITIVITY	$T_A = +25^\circ\text{C}$	40	50	60	mV/GAUSS
NULL	$T_A = +25^\circ\text{C}$	4	5	6	VOLTS
SUPPLY CURRENT			18	30	mA
OUTPUT CURRENT	SOURCE $V_s > 4.5$	1	1.5		mA
	SINK $V_s > 4.5$.6	1.5		mA
	SINK $V_s > 5.0$	1	1.5		mA
RESPONSE TIME			3		uS
OUTPUT VOLTAGE	VOM - - B APPLIED	.4	.2		VOLTS
	VOM + + B APPLIED	$V_s - .4$	$V_s - .2$		VOLTS
B LIMITS FOR LINEAR OPERATION	- B MAX	- 50	- 60		GAUSS
	+ B MAX	+ 50	+ 60		GAUSS
Vnull DRIFT	$B = 0, T_A = -40^\circ\text{C TO } +85^\circ\text{C}$	-.06		+.08	% / °C
SENSITIVITY DRIFT	$T_A = -40^\circ\text{C TO } +85^\circ\text{C}$	-.02		+.06	% / °C
LINEARITY	$B = -60$ to $+60$	0	- 1.0	- 1.5	% OF SPAN
SUPPLY VOLTAGE	$T_A = -40^\circ\text{C TO } +85^\circ\text{C}$	4.5	10.0	10.5	VOLTS
OPERATING TEMP		- 40		+ 85	°C

BLOCK DIAGRAM CURRENT SINKING OR SOURCING OUTPUT



ABSOLUTE MAXIMUM CHARACTERISTICS

CHARACTERISTIC	SYMBOL	TEST CONDITION	MIN	MAX	UNITS
SUPPLY VOLTAGE	V_{cc}		-0.5	11	V
OUTPUT VOLTAGE	V_{out}		-0.5	11	V
OUTPUT CURRENT	I_{out}	SOURCE OR SINK		10	mA
TEMPERATURE	T_A	OPERATING	-40	110	°C
	T_s	STORAGE ($V_{cc}=0$)	-55	165	°C



THIS DRAWING COVERS A PROPRIETARY ITEM AND IS THE PROPERTY OF HONEYWELL. THIS DRAWING IS NOT TO BE COPIED OR USED WITHOUT THE PERMISSION OF HONEYWELL.

Honeywell

SIZE	DWG TYPE	DRAWING NAME	REV
C	I	SS491 SERIES CHART 1	A
SCALE	NTS	SHEET	2 OF 2

X-ON Electronics

Largest Supplier of Electrical and Electronic Components

Click to view similar products for [Board Mount Hall Effect/Magnetic Sensors](#) category:

Click to view products by [Honeywell](#) manufacturer:

Other Similar products are found below :

[HGPRDT005A](#) [AH277AZ4-AG1](#) [AV-10448](#) [SS41C](#) [AH1894-Z-7](#) [TLE4917](#) [TLE4946-1L](#) [50017859-003](#) [TY-13101](#) [TLE4976L](#) [SS85CA](#)
[BU52002GUL-E2](#) [BU52003GUL-E2](#) [AH277AZ4-BG1](#) [TLE49614MXTSA1](#) [AH3376-P-B](#) [AH3382-P-B](#) [AH3377-P-B](#) [AH211Z4-AG1](#)
[AH3360-FT4-7](#) [TLE4941-1](#) [SS460S-100SAMPLE](#) [AH374-P-A](#) [TLE49595UFXHALA1](#) [SS460P-T2](#) [AH1913-W-7](#) [AH3373-P-B](#)
[TLE9852QXXUMA1](#) [MA732GQ-Z](#) [MA330GQ-Z](#) [TLE49421CHAMA2](#) [AH1903-FA-EVM](#) [AH8502-FDC-EVM](#) [TLE4998S3XALA1](#)
[TLE5011FUMA1](#) [TLE5027CE6747HAMA1](#) [TLE5109A16E1210XUMA1](#) [TLI4966GHTSA1](#) [TLI4906KHTSA1](#) [MA710GQ-P](#) [S-](#)
[57K1NBL2A-M3T2U](#) [S-57P1NBL9S-M3T4U](#) [S-576ZNL2B-L3T2U](#) [S-576ZNL2B-A6T8U](#) [S-57P1NBL0S-M3T4U](#) [S-57A1NSL1A-M3T2U](#)
[S-57K1RBL1A-M3T2U](#) [S-57P1NBH9S-M3T4U](#) [S-57P1NBH0S-M3T4U](#) [S-57A1NSH1A-M3T2U](#)