

SS3/SS8 Digital position sensors



SS8 with epoxy



SS3



SS8 with ceramic cap

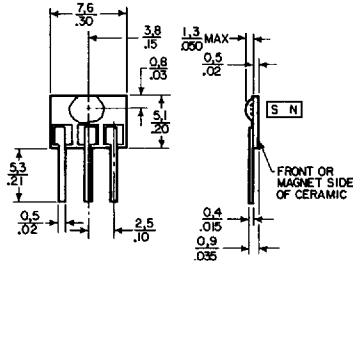
FEATURES

- Low operating gauss levels
- Reverse power polarity protection
- SS3 — .30" × .20" ceramic package
Epoxy chip protection
- SS8 — .30" × .30" ceramic package
Ceramic cap or epoxy chip protection
- Sensitive magnetic specifications
- Bipolar magnetics
- Operating speed from 0 to over 100 kHz
- Nearly symmetrical magnetics

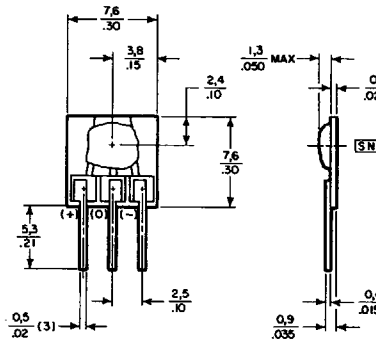
MOUNTING DIMENSIONS

(For reference only)

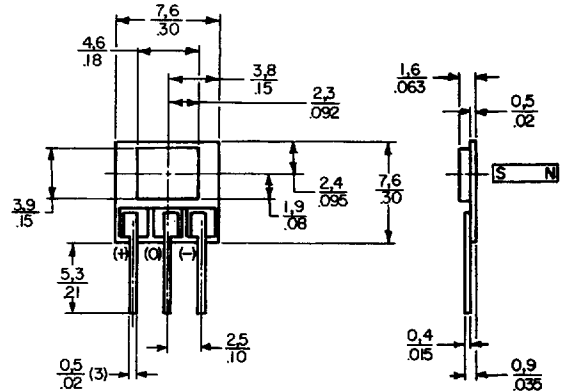
SS3 Series with epoxy



SS8 Series with epoxy

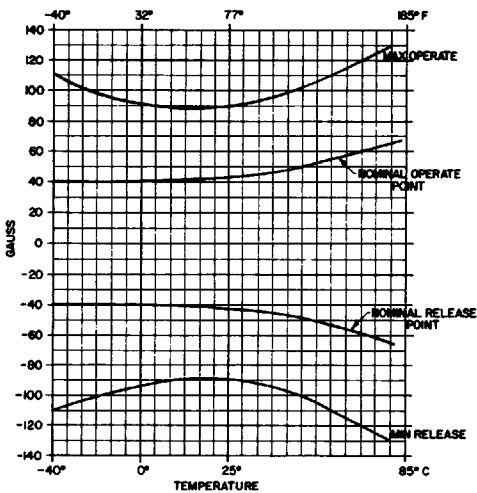


SS8 Series with ceramic cap

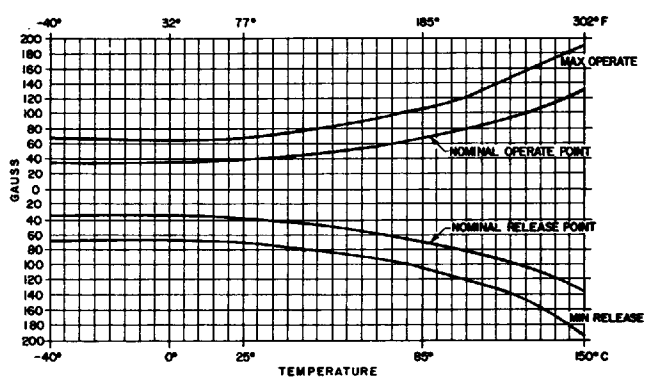


OPERATE AND RELEASE POINTS

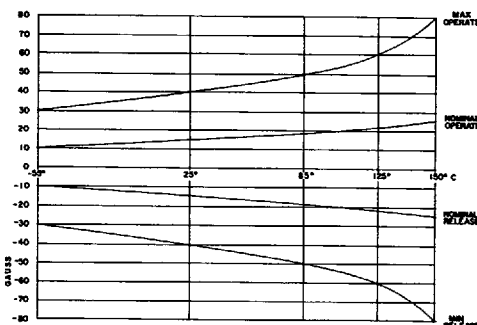
SS31EA, SS81EA, Epoxy chip protection



SS81CA, Ceramic chip protection



SS83CA, Ceramic chip protection



SS31EA, SS81EA

°C	Operate			Release		
	-40	25	85	-40	25	85
Gauss max.	110	90	135	-110	-90	-135
Gauss nom.	40	40	60	-40	-40	-60

SS83CA

°C	Operate					Release				
	-55	25	85	125	150	-55	25	85	125	150
Gauss max.	30	40	50	60	80	-30	-40	-50	-60	-80
Gauss nom.	10	15	18	22	25	-10	-15	-18	-22	-25

SS81CA

°C	Operate					Release				
	-55	25	70	100	150	-55	25	70	100	150
Gauss max.	70	70	90	120	190	-70	-70	-90	-120	-190
Gauss nom.	30	40	60	80	130	-30	-40	-60	-80	-130

Digital position sensors **SS3/SS8**

SS3/SS8 ORDER GUIDE

Catalog Listings	SS31EA	SS81CA	SS81EA	SS83CA	SS84AC	SS84BC	SS85CA
Supply Voltage (VDC)	4.5 to 24	4.5 to 24	4.5 to 24	4.5 to 24	4.5 to 24	4.5 to 24	4.5 to 24
Supply Current (mA)	5 typ. 8.7 max.	5 typ. 8.7 max.	5 typ. 8.7 max.	5 typ. 8.7 max.	14 typ. 18 max.	14 typ. 18 max.	16 typ. 22 max.
Sinking Output (mA)	10 max.	10 max.	10 max.	10 max.	10 max.	10 max.	20 max.
Output Voltage Operated (V)	0.15 typ. 0.40 max.	0.15 typ. 0.40 max.	0.15 typ. 0.40 max.	0.15 typ. 0.4 max.	0.20 typ. 0.4 max.	0.20 typ. 0.4 max.	0.25 typ. 0.4 max.
Output Leakage Current (Released) (into sensor output)	10 μ A max.	10 μ A max.	10 μ A max.	10 μ A max.	10 μ A max.	10 μ A max.	10 μ A max.
Output Switching Time							
Rise (10% to 90%)	0.2 μ s typ. 1.5 μ s max.	0.2 μ s typ. 1.5 μ s max.	0.2 μ s typ. 1.5 μ s max.	0.2 μ s typ. 1.5 μ s max.	0.2 μ s typ. 1.5 μ s max.	0.2 μ s typ. 1.5 μ s max.	0.2 μ s typ. 1.5 μ s max.
(90% to 10%)	0.5 μ s typ. 1.0 μ s max.	0.5 μ s typ. 1.0 μ s max.	0.5 μ s typ. 1.0 μ s max.	0.5 μ s typ. 1.0 μ s max.	0.5 μ s typ. 1.0 μ s max.	0.5 μ s typ. 1.0 μ s max.	0.5 μ s typ. 1.0 μ s max.
Package Size	.3 x .2	.3 x .3	.3 x .3	.3 x .3	.3 x .3	.3 x .3	.3 x .3
Protection	Epoxy	Ceramic Cap	Epoxy	Ceramic Cap	Ceramic cap	Ceramic cap	Ceramic cap
Magnetics Type	Bipolar	Bipolar	Bipolar	Bipolar	Unipolar	Unipolar	Unipolar

Listings are shown with terminal style A: .210" terminals on .100" mounting centers, pinout style 1.

Termination Options

To order other termination options, substitute the option letter for the A at the end of the catalog listing.

A—.210" terminals, pinout style 1.

B—.210" terminals, pinout style 2.

L—.500" terminals, pinout style 1.

P—Solder pads, pinout style 1 (standard).

Pinout style 1: + 0 - standard, from chip side of ceramic.

Pinout style 2: 0 - +, from chip side of ceramic. Electrically compatible with many existing devices.

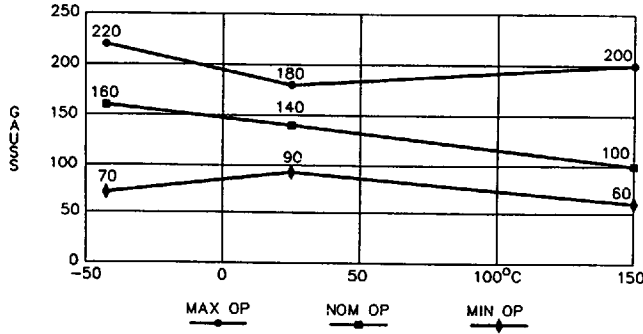
SS3/SS8 Digital position sensors

OPERATE AND RELEASE POINTS

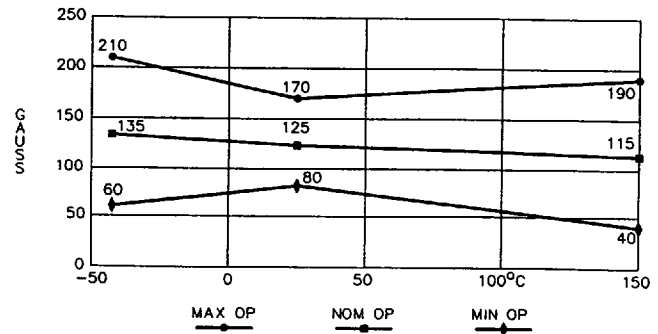
SS84AC

°C	Operate			Release		
	- 40	- 25	150	- 40	- 25	150
Gauss max.	220	180	200	210	170	190
Gauss nom.	160	140	100	135	125	115
Gauss min.	70	90	60	60	80	40

O.P. Vs. Temperature



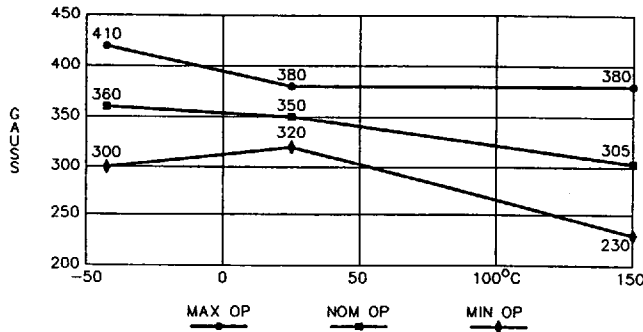
R.P. Vs. Temperature



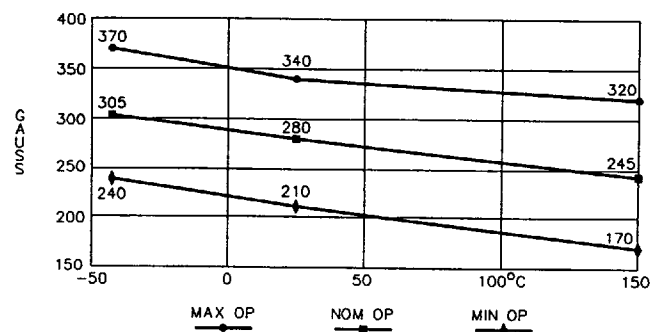
SS84BC

°C	Operate			Release		
	- 40	25	150	- 40	25	150
Gauss max.	420	380	380	370	340	320
Gauss nom.	360	350	305	305	280	245
Gauss min.	300	320	230	240	210	170

O.P. Vs. Temperature



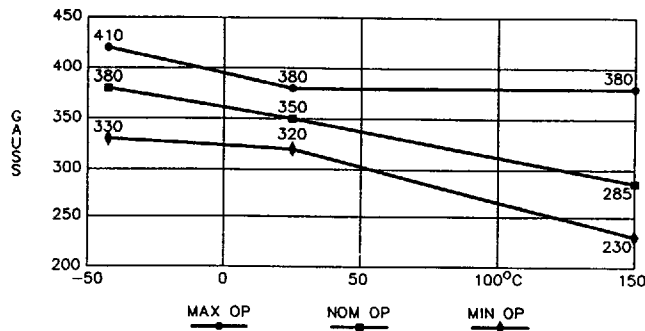
R.P. Vs. Temperature



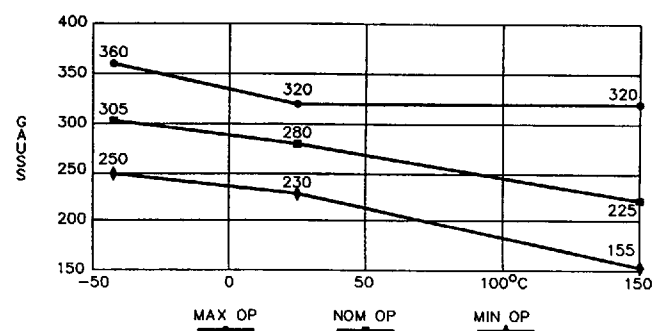
SS85CA

°C	Operate				Release			
	- 40	25	125	150	- 40	25	125	150
Gauss max.	410	380	380	380	360	320	320	320
Gauss nom.	380	350	300	285	305	280	240	225
Gauss min.	330	320	250	230	250	230	170	155

O.P. Vs. Temperature



R.P. Vs. Temperature



X-ON Electronics

Largest Supplier of Electrical and Electronic Components

Click to view similar products for [Board Mount Hall Effect/Magnetic Sensors](#) category:

Click to view products by [Honeywell](#) manufacturer:

Other Similar products are found below :

[HGPRDT005A](#) [AH1808-P-A](#) [AH277AZ4-AG1](#) [AV-10379](#) [AV-10448](#) [SS41C](#) [AH1894-Z-7](#) [ATS601LSGTN-HT-WU4-T](#) [ATS601LSGTN-LT-WU4-T](#) [TLE4917](#) [50017859-003](#) [TY-13101](#) [SS85CA](#) [AH277AZ4-BG1](#) [TLE49614MXTSA1](#) [AH3382-P-B](#) [AH3377-P-B](#) [AH9250-W-7](#) [AH211Z4-AG1](#) [AH3360-FT4-7](#) [SS460S-100SAMPLE](#) [50065820-03](#) [TLE4941PLUSCB](#) [AH374-P-A](#) [AH1806-P-A](#) [AH374-W-7](#) [SS460P-T2](#) [AH1912-FA-7](#) [SS413F](#) [TLE5046ICAKLRHALA1](#) [TLE49421CHAMA2](#) [TLE4941PLUSCXAMA1](#) [AH1912-W-EVM](#) [AH1903-FA-EVM](#) [AH3774-W-EVM](#) [AH49FNTR-EVM](#) [MMC5633NJL](#) [AH3360-FA-EVM](#) [AH8502-FDC-EVM](#) [AH3366Q-SA-EVM](#) [AH3774-P-EVM](#) [KTH1601SU-ST3](#) [MG910](#) [MG910M](#) [MG911](#) [MG610](#) [MW921](#) [MW922](#) [TLE4998S3XALA1](#) [TLE5011FUMA1](#)