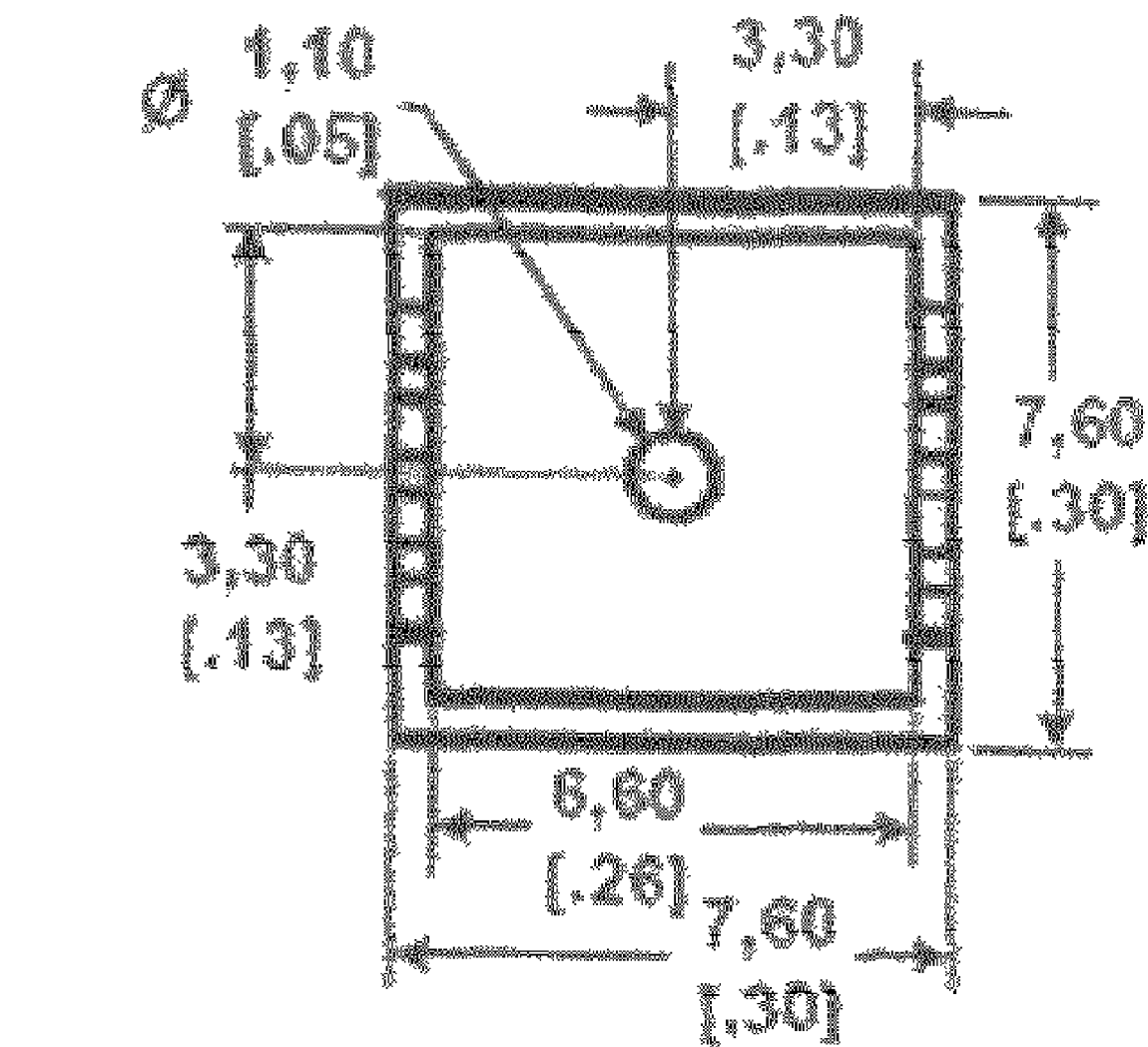
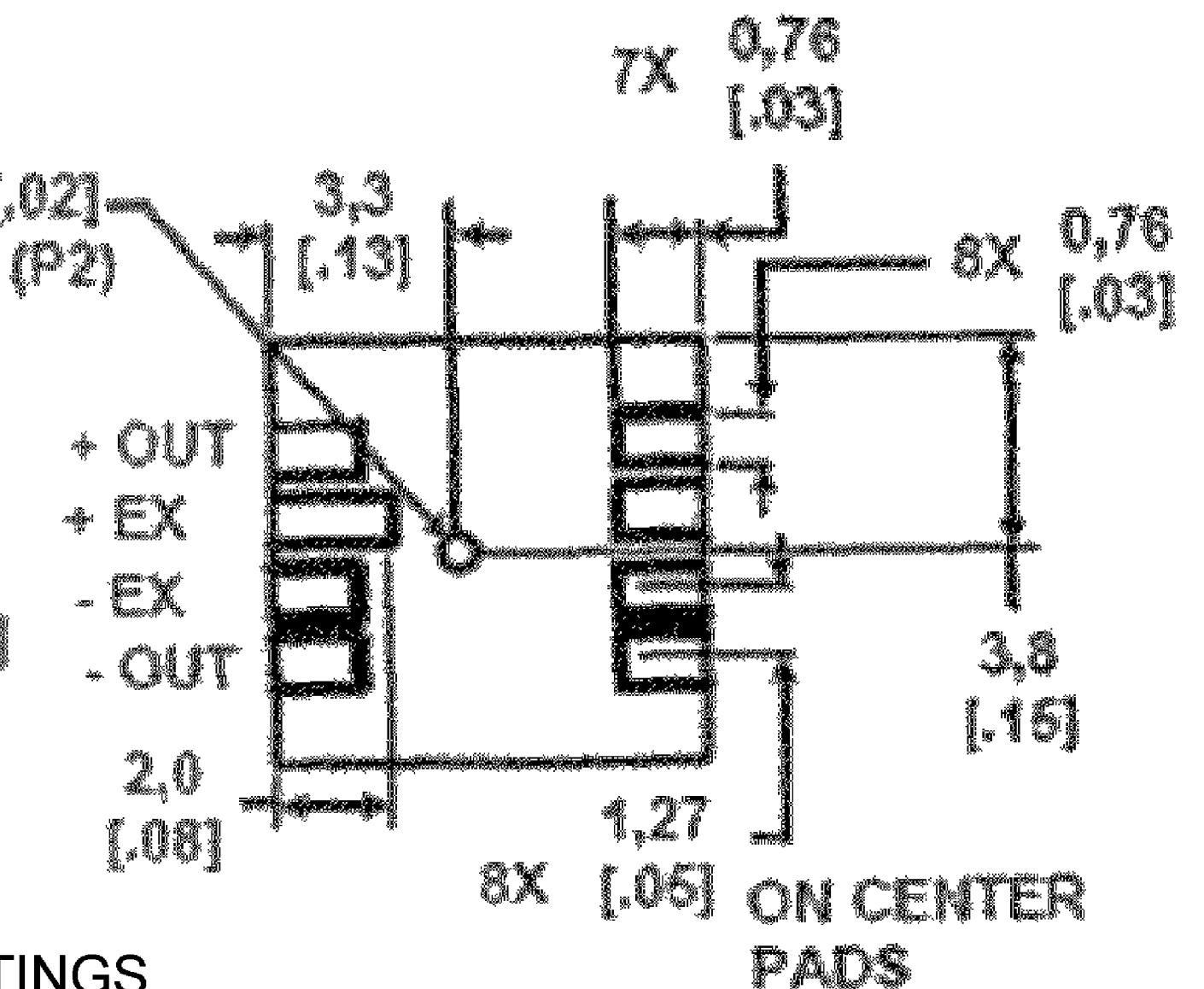
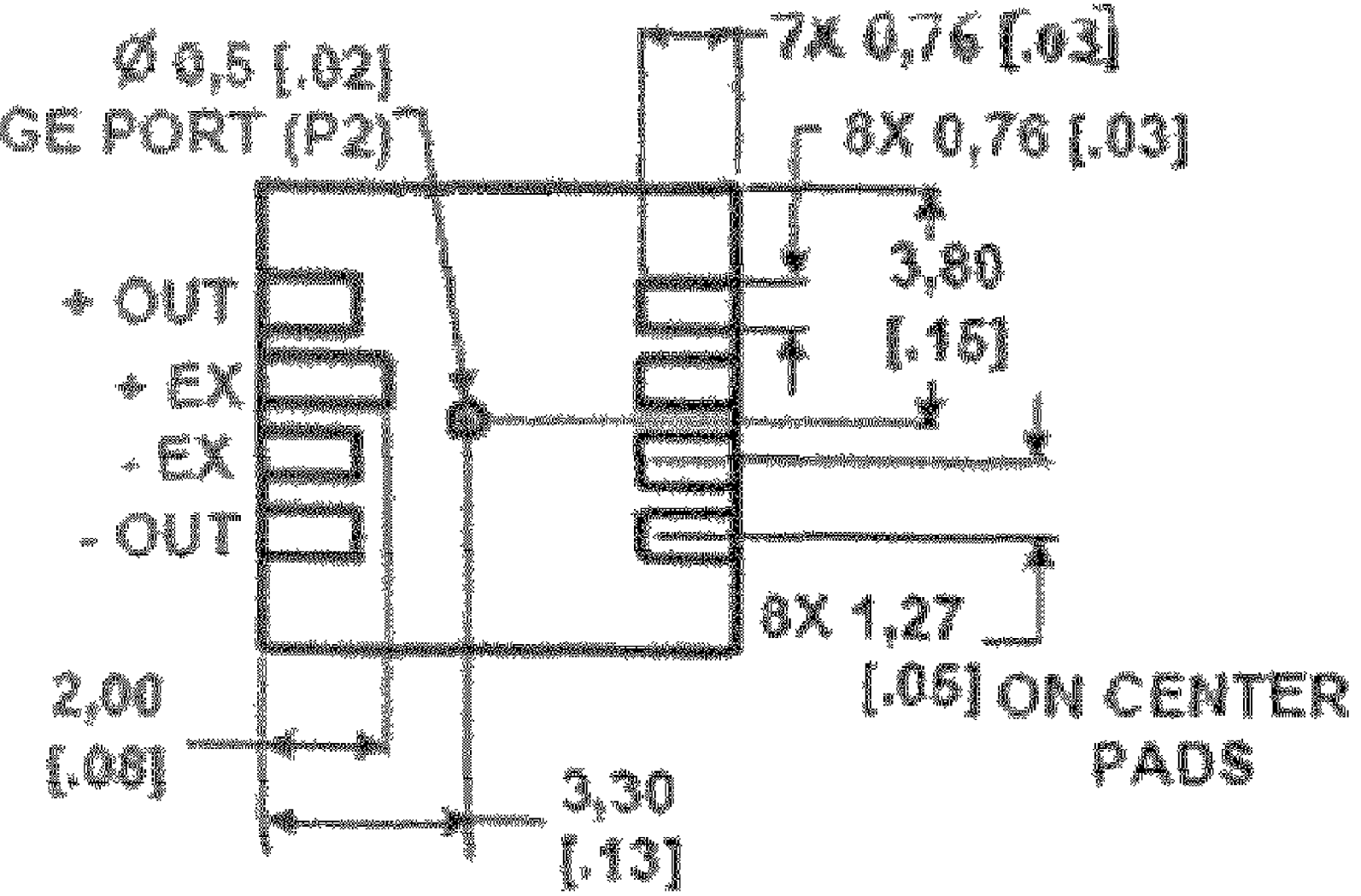
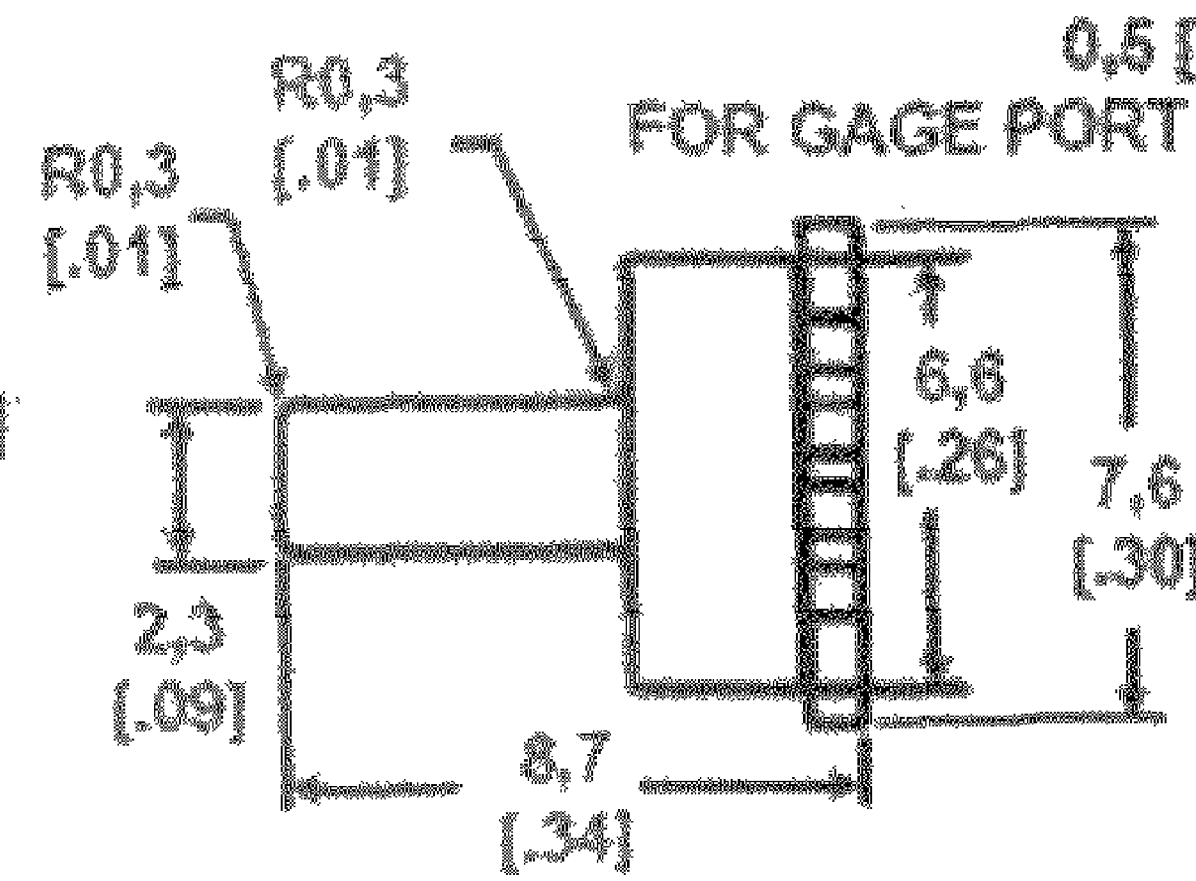
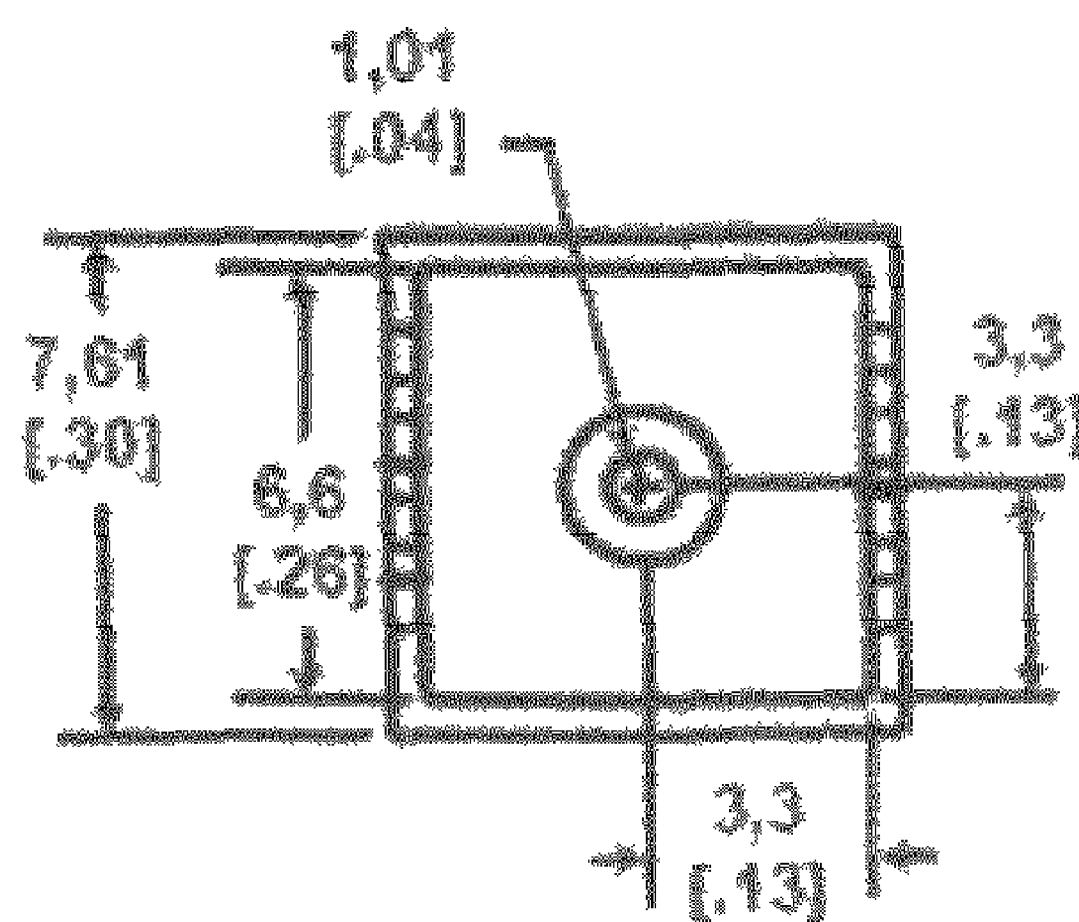


Performance Specifications					
Characteristics	Pressure Range (psi)	MIN	TYP	MAX	UNITS
Zero Pressure Offset	ALL	-35	-20	0	mV
Sensitivity	01		3.90		mV/psi
	05		2.70		
	15		1.50		
	30		0.86		
	60		0.50		
	100		0.30		
150		0.14			
Temperature Coefficient of Span	ALL		-2150		ppm/degC
Temperature Coefficient of Offset	ALL		4		uV/V/degC
Combined Linearity and Hysteresis	ALL		0.2		%FS
Long Term Stability	ALL		0.1		mV
Response Time (10% to 90%)	ALL		100		us
Input Resistance	ALL		4.1		kohms
Temperature Coefficient of Resistance	ALL		750		ppm/degC
Output Impedance	ALL		4.1		kohms
Repeatability	ALL		0.5		%FSS
Overpressure	01, 05		20		psi
	15		30		
	30		60		
	60		90		
	100		150		
150		200			

Specifications	
Characteristics	Maximum Ratings
Supply voltage	12 Vdc
Operating Temperature	-40C to +125C
Storage Temperature	-55C to +125C
Lead Temperature (Soldering 2s to 4s)	250C



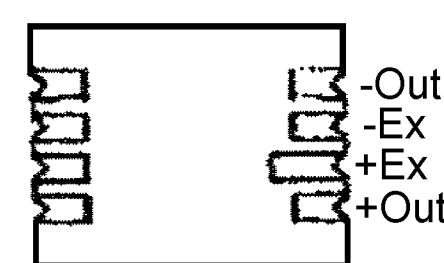
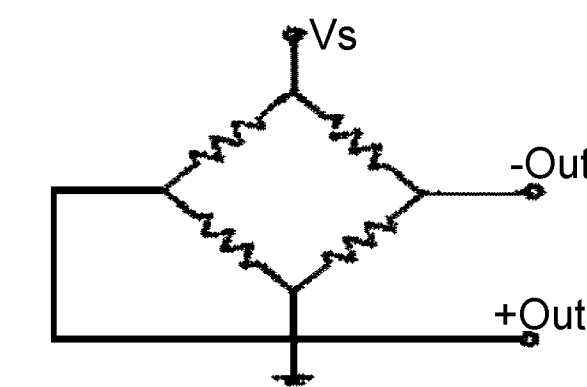
PORTED "P" SMT



CATALOG LISTINGS

- | | |
|-------------|--------------|
| SX01GSMT | SX100ASMT |
| SX01GSMT P | SX100GSMT |
| SXP01GSMT P | SX100GSMT P |
| | SXP100ASMT |
| SXP05GSMT P | SXP100GSMT P |
| SX15ASMT | SX150ASMT |
| SX15ASMT P | SX150GSMT |
| SX15GSMT | SXP150ASMT |
| SXP15ASMT P | SXP150ASMT P |
| SXP15GSMT P | SXP150GSMT |
| SX30ASMT | |
| SX30GSMT | |
| SXP30ASMT P | |

EQUIVALENT CIRCUITS



- NOTES:
- 1) REFERENCE CONDITIONS: SUPPLY VOLTAGE, VS= 5.0 Vdc, TEMP = 0degC TO 70degC
 - 2) IF MAXIMUM PRESSURE IS EXCEEDED, EVEN MOMENTARILY, THE PACKAGE MAY LEAK OR BURST, OR THE PRESSURE SENSING DIE MAY FRACTURE.
 - 3) SENSITIVITY IS THE RATIO OF THE OUTPUT SIGNAL VOLTAGE CHANGE TO INPUT PRESSURE CHANGE. THE SENSITIVITY IS CHARACTERIZED BY DESIGN AND PERIODIC PRODUCTION TESTING. THIS PARAMETER IS NOT 100% TESTED IN PRODUCTION.
 - 4) TEMPERATURE COEFFICIENT IS DEFINED AS BEST FIT STRAIGHT LINE FIT FOR OPERATION BETWEEN 0degC TO 70degC.
 - 5) TEMPERATURE COEFFICIENT IS NOT 100% TESTED. IT IS DEFINED BY PROCESS DESIGN.
 - 6) SLOPE OF BEST FIT STRAIGHT LINE FIT FOR OPERATION BETWEEN 0degC TO 70degC.
 - 7) LONG TERM STABILITY OVER A ONE YEAR PERIOD.
 - 8) RESPONSE TIME FOR 0 psi TO FULL SCALE SPAN PRESSURE STEP CHANGE.

DESIGN UNITS: MM	DRAWN	SK	19OCT06	
TOLERANCES UNLESS NOTED:	CHECK	CMH	19OCT06	
NO PLACE .X ± 1,000	THIS DRAWING COVERS A PROPRIETARY ITEM AND IS THE PROPERTY OF HONEYWELL. THIS DRAWING IS NOT TO BE COPIED OR USED WITHOUT THE PERMISSION OF HONEYWELL.			TITLE
ONE PLACE .X ± 0,4				PRESSURE SENSOR
TWO PLACE .XX ± 0,15				SIZE
THREE PLACE .XXX ± 0,005				D
FOUR PLACE .XXXX ± 0,0050				TYPE
ANGLES X ± 3				I
THIRD ANGLE PROJECTION	INTERPRET PER ASME Y14.5M-1994 OTHER HONEYWELL ENGINEERING STANDARDS MAY APPLY.			DRAWING NAME
	RASTER			SX SMT SERIES CHART 1
	SCALE	NONE	SHEET	REV
			1 OF 1	B

X-ON Electronics

Largest Supplier of Electrical and Electronic Components

Click to view similar products for [Board Mount Pressure Sensors](#) category:

Click to view products by [Honeywell](#) manufacturer:

Other Similar products are found below :

[6407-249V-17343P](#) [6407-250V-09273P](#) [80527-25.0H2-05](#) [80541-B00000150-01](#) [80541-B00000200-05](#) [80554-00700100-05](#) [80568-00300050-01](#) [93.631.4253.0](#) [93.731.4353.0](#) [93.932.4553.0](#) [136PC150G2](#) [136PC15A1](#) [142PC95AW71](#) [142PC05DW70](#) [15PSI-G-4V](#) [1805-01A-L0N-B](#) [26PCBKT](#) [26PCCFA6D26](#) [26PCCFS2G](#) [26PCCVA6D](#) [93.632.7353.0](#) [93.731.3653.0](#) [93.931.4853.0](#) [93.932.4853.0](#) [SCDA120-XSC05DC](#) [185PC30DH](#) [20INCH-G-MV-MINI](#) [26PCAFJ3G](#) [26PCCEP5G24](#) [26PCDFA3G](#) [26PCJEU5G19](#) [ASCX15AN-90](#) [TSCSAAN001PDUCV](#) [DCAL401DN](#) [DCAL401GN](#) [XZ202798SSC](#) [XZ203676HSC](#) [6407-249V-09343P](#) [6407-250V-17343P](#) [SP370-25-116-0](#) [81794-B00001200-01](#) [HSCDLNN100PGAA5](#) [82681-B00000100-01](#) [81618-B00000040-05](#) [SSCDJNN015PAAA5](#) [TSCDLNN100MDUCV](#) [TSCSAAN100PDUCV](#) [NBPDANN015PGUNV](#) [NBPLLNS150PGUNV](#) [142PC100D](#)