



MICRO SWITCH

FREEPORT, ILLINOIS, U.S.A.
A DIVISION OF HONEYWELL

FED. MFG. CODE 91929

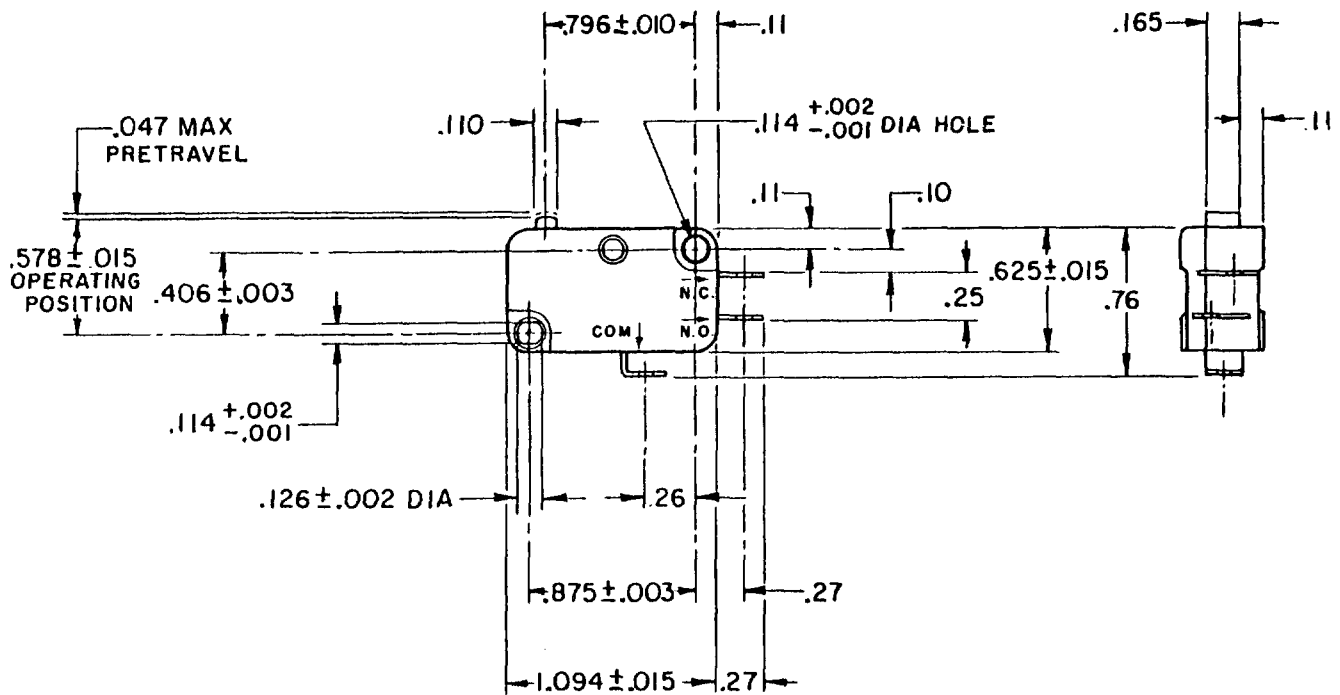
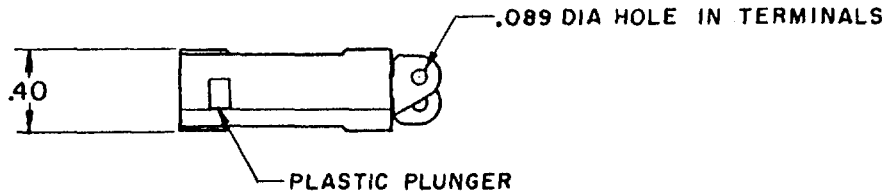
SWITCH-BASIC

CATALOG LISTING

V3-1119

CK-M1900

DRAWING NUMBER: V3-1119
 PAGE 1 OF 1
 RELEASE NO. SR 12447
 ISSUE: 5
 REVISIONS:
 A: CO24699, MBS, 29 JULY 69
 B: CO 39182, GAS, 18 FEB 78
 C: CO74635, KDR, 10 MAY 93
 D: 200185, JLA, 7 APR 00
 CHECK: BRJ, 2 SEP 66
 CHECK: BRJ, 2 SEP 66
 CHECK: LSD, 12 SEPT 66
 CHECK: WEG, 12 SEPT 66
 DRAWN: WEG
 FORMTEK FC-50378



- NOTE -
- 1 - TERMINALS ARE PLATED FOR SOLDERING
 - 2 - CAUTION: DO NOT OVERTRAVEL PLUNGER WITH FORCE IN EXCESS OF FIVE POUNDS

THIS DRAWING COVERS A PROPRIETARY ITEM AND IS THE PROPERTY OF MICRO SWITCH, A DIVISION OF HONEYWELL. THIS DRAWING IS NOT TO BE COPIED OR USED WITHOUT THE APPROVAL OF MICRO SWITCH.

CHARACTERISTICS	
OPERATING FORCE	---75 GRAMS MAX
RELEASE TRAVEL	----- .010 MIN
RELEASE FORCE	-----10 GRAMS MIN
DIFFERENTIAL TRAVEL	----- .002-.010
OVERTRAVEL	----- .050 MIN
FREE POSITION	----- .625 MAX

ELECTRICAL DATA	
CONTACT ARRANGEMENT S P D T	
L112 10A 1/3HP 125 OR 250 VAC 1/2A 125 VDC, 1/4A 250 VDC 4A 125 VAC "L"	

SCALE FULL		
DO NOT SCALE PRINT		
UNLESS OTHERWISE NOTED		
DIMENSIONS ARE IN INCHES		
TOLERANCES ARE:		
ONE PLACE	(.0)	±.030
TWO PLACE	(.00)	±.015
THREE PLACE	(.000)	±.005
ANGLES		±
WEIGHT		



X-ON Electronics

Largest Supplier of Electrical and Electronic Components

Click to view similar products for [Basic / Snap Action Switches](#) category:

Click to view products by [Honeywell](#) manufacturer:

Other Similar products are found below :

[5SM901-S12](#) [5SM9-S12N195](#) [01.098.1358.1](#) [602EN532](#) [602EN535-RB](#) [602HE5-RB1](#) [604HE162](#) [604HE223-6B](#) [624HE17-RB](#) [6HM82](#)
[6HM89](#) [6SE1](#) [6SX1-H58](#) [70500216](#) [70599106](#) [MBD5B1](#) [MBH2731](#) [73-316-0012](#) [EXD-AR20](#) [79211923](#) [79218589](#) [7AS12](#)
[MIL30126AB6BBMD4A12XAU](#) [ML-1155](#) [ML-1376](#) [831010C3.0](#) [831090C2.EL](#) [83131904](#) [84212012](#) [8AS239](#) [8HM73-3](#) [8SX26-H33](#)
[914CE1-6G](#) [PL-100](#) [11SM1077-H4](#) [11SM1077-H58](#) [11SM1-TN107](#) [11SM405](#) [11SM8423-H2](#) [11SX37-T](#) [11SX48-H58](#) [11SM2442-T](#)
[11SM76-T](#) [11SM77-H58](#) [11SM77-T](#) [11SM863-T](#) [11SM866](#) [A7CN-1M-1-LEFT](#) [A831700C7.0](#) [121EN187-R](#)