



MICRO SWITCH

FREEPORT, ILLINOIS, U.S.A.
A DIVISION OF HONEYWELL

FED. MFG. CODE 91929

SWITCH - BASIC

CATALOG LISTING

V3-115

CKB 1500

5

V3-115

M

DRAWING NUMBER

ISSUE

89

89

REPLACES

RELEASE NO.

CHECK

65

65

66

66

67

68

68

69

69

70

70

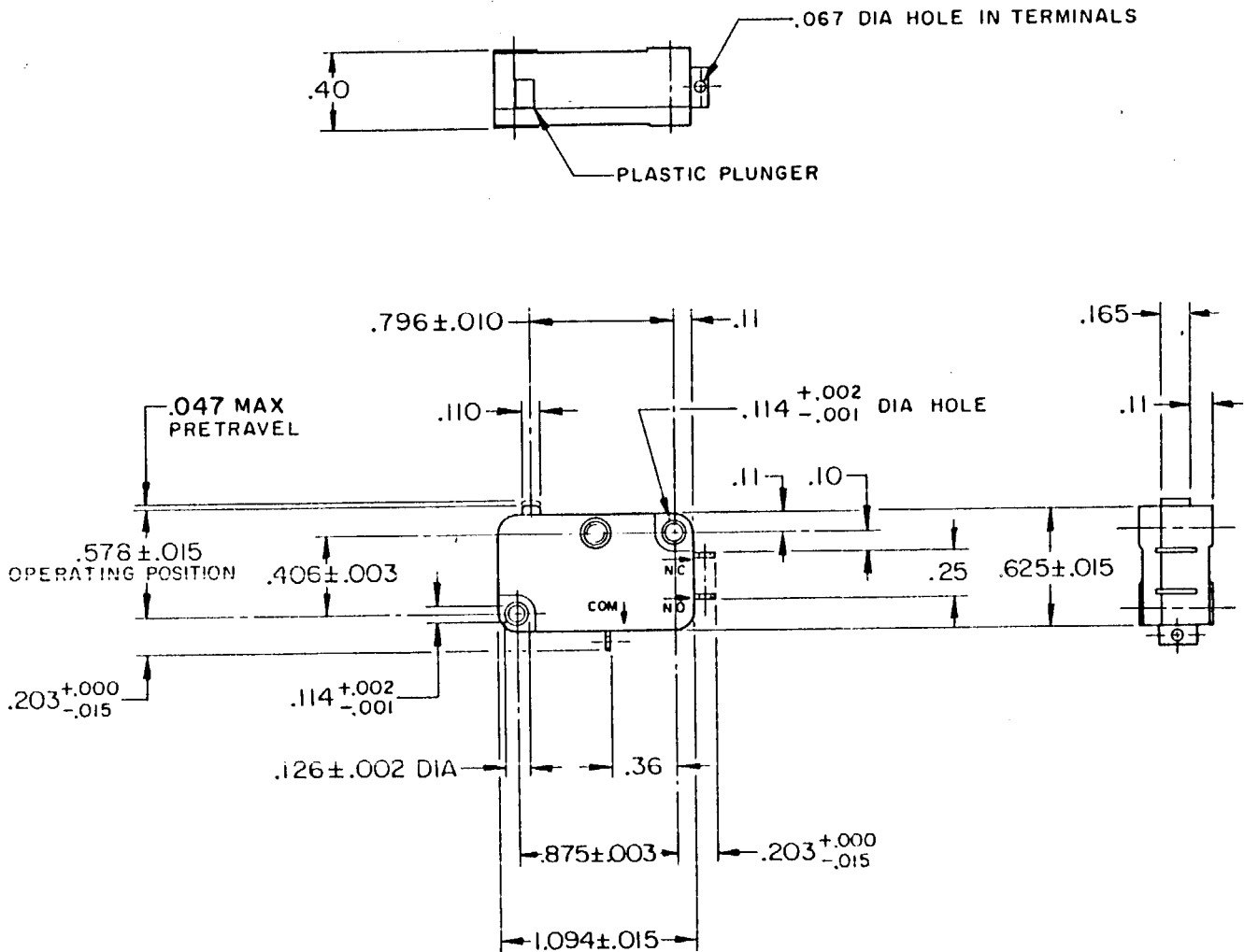
71

71

72

72

73



NOTE -
I - TERMINALS ARE PLATED FOR SOLDERING

THIS DRAWING COVERS A PROPRIETARY ITEM AND IS THE PROPERTY OF MICRO SWITCH, A DIVISION OF HONEYWELL. THIS DRAWING IS NOT TO BE COPIED OR USED WITHOUT THE APPROVAL OF MICRO SWITCH.

CHARACTERISTICS	ELECTRICAL DATA	SCALE FULL
OPERATING FORCE - - - - - 8 OZ MAX	CONTACT ARRANGEMENT SPDT	DO NOT SCALE PRINT
RELEASE FORCE - - - - - 2 OZ MIN	- L156 - 11A-1/3HP-125-250-277 VAC 1/2A-125 VDC; 1/4A-250 VDC 4A-125 VAC "L" 	UNLESS OTHERWISE NOTED
DIFFERENTIAL TRAVEL - - - - -.006 - .016		DIMENSIONS ARE IN INCHES
OVERTRAVEL - - - - -.040 MIN		TOLERANCES ARE:
FREE POSITION - - - - -.625 MAX		ONE PLACE (.0) ± .030
RELEASE TRAVEL - - - - -.007 MIN		TWO PLACE (.00) ± .015
		THREE PLACE (.000) ± .005
		ANGLES ±
		WEIGHT .016 LB

REVISIONS

A	CO20189	WE G	28 JUNE 65
B	CO21900	OM W	04 OCT 66
C	CO31748	S D	3 APR 73
D	59921		
E	CO74479	SMA	29 SEPT 86
		K D R	15 APR 93

65 65 66 66 67 67 68 68 69 69 70 70 71 71 72 72 73

WE G 28 JUNE 65

DRAWN

50378

X-ON Electronics

Largest Supplier of Electrical and Electronic Components

Click to view similar products for [Basic / Snap Action Switches](#) category:

Click to view products by [Honeywell](#) manufacturer:

Other Similar products are found below :

[5SM901-S12](#) [5SM9-S12N195](#) [602EN532](#) [602EN535-RB](#) [602HE5-RB1](#) [604HE162](#) [604HE223-6B](#) [624HE17-RB](#) [6HM82](#) [6HM89](#) [6SE1](#)
[6SX1-H58](#) [70500216](#) [70599106](#) [MBD5B1](#) [MBH2731](#) [73-316-0012](#) [EXD-AR20](#) [79211923](#) [79218589](#) [7AS12](#)
[MIL30126AB6BBMD4A12XAU](#) [ML-1155](#) [ML-1376](#) [831010C3.0](#) [831090C2.EL](#) [83131904](#) [84212012](#) [8AS239](#) [8HM73-3](#) [8SX26-H33](#)
[914CE1-6G](#) [PL-100](#) [11SM1077-H4](#) [11SM1077-H58](#) [11SM1-TN107](#) [11SM405](#) [11SM8423-H2](#) [11SX37-T](#) [11SX48-H58](#) [11SM2442-T](#)
[11SM76-T](#) [11SM77-H58](#) [11SM77-T](#) [11SM863-T](#) [11SM866](#) [A7CN-1M-1-LEFT](#) [A831700C7.0](#) [121EN187-R](#) [121EN188-R](#)