

MICRO SWITCH

FREEDPORT ILLINOIS, U.S.A
A DIVISION OF HONEYWELL
FED. MFG. CODE 91929

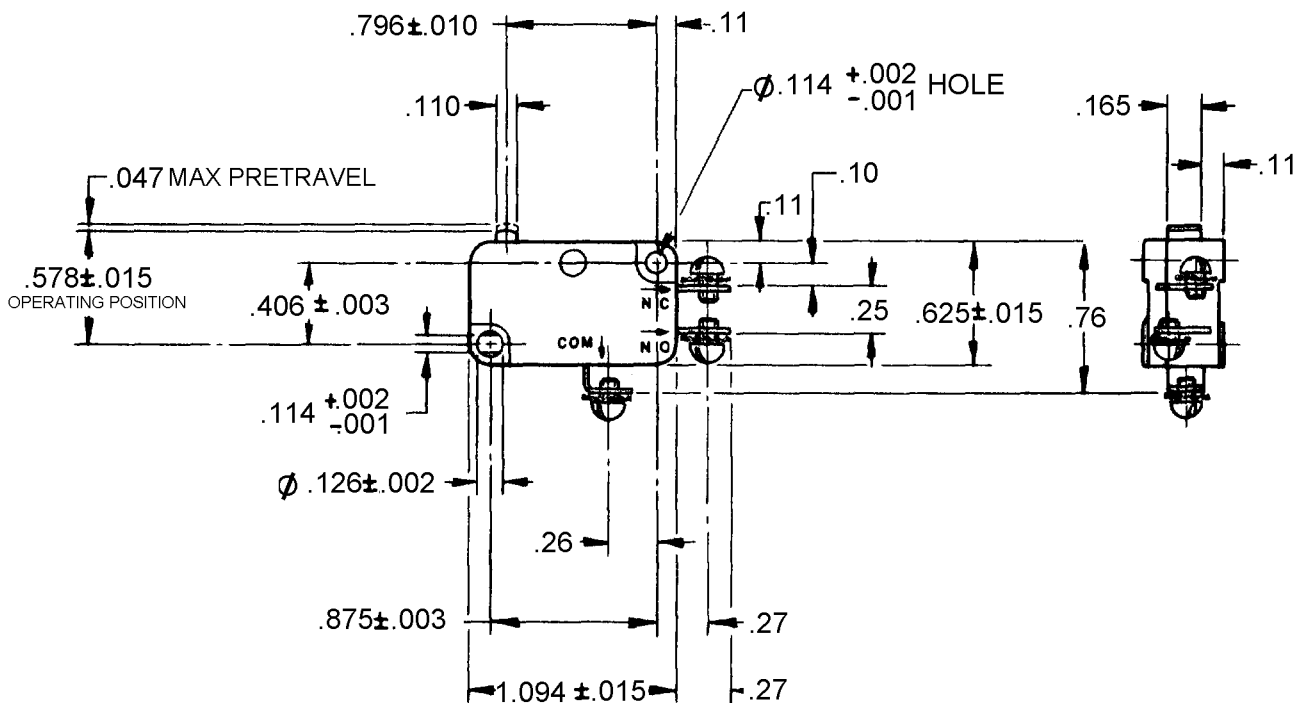
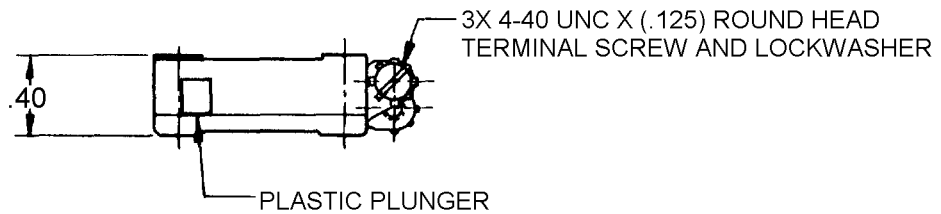
SWITCH-BASIC

CATALOG LISTING

V3-1201

MILITARY STDS PART NO.
M8805/90-001

CK-N1201



NOTE
1 - "M8805/90-001" AND SOURCE CODE "91929" MARKED ON SWITCH
AND LABEL OF PACKING BOX

ANSI Y14.5M-1982 APPLIES

THIS DRAWING COVERS A PROPRIETARY ITEM AND IS THE PROPERTY OF MICRO SWITCH, A DIVISION OF HONEYWELL. THIS DRAWING IS NOT TO BE COPIED OR USED WITHOUT THE APPROVAL OF MICRO SWITCH.

CHARACTERISTICS

OPERATING FORCE ----- 75 GRAM MAX
RELEASE FORCE ----- 10 GRAM MIN
DIFFERENTIAL TRAVEL ----- .002-.010
OVERTRAVEL ----- .050 MIN
FREE POSITION ----- .625 MAX
RELEASE TRAVEL ----- .010 MIN

ELECTRICAL DATA

CONTACT ARRANGEMENT
S P D T

SCALE FULL

DO NOT SCALE PRINT

UNLESS OTHERWISE NOTED

DIMENSIONS ARE IN INCHES

TOLERANCES ARE:

ONE PLACE	(.0)	±.030
TWO PLACE	(.00)	±.015
THREE PLACE	(.000)	±.005
ANGLES		±

WEIGHT 9.1 GRAMS

V3-1201

PAGE 1 OF 1

REPLACES

PR-2340

RELEASE NO.

M

DRAWING NUMBER

ISSUE

6

CHECK

REVISIONS

A PR-2340

S R H

3 JAN 72

CO

B 39182

G A S

18 FEB 78

C C045436

D J W

31 JAN 78

CO

D 76499

D C S

6 JAN 94

E 201691

G J W

8 NOV 00

CHECK

4 JAN 72

DRAW

3 JAN 72

CHECK

3 JAN 72

DRAW

3 JAN 72

CHECK

3 JAN 72

DRAW

3 JAN 72

CHECK

3 JAN 72

DRAW

3 JAN 72

CHECK

3 JAN 72

FO-50378-1A

X-ON Electronics

Largest Supplier of Electrical and Electronic Components

Click to view similar products for [Basic / Snap Action Switches](#) category:

Click to view products by [Honeywell](#) manufacturer:

Other Similar products are found below :

[5SM901-S12](#) [5SM9-S12N195](#) [01.098.1358.1](#) [602EN532](#) [602EN535-RB](#) [602HE5-RB1](#) [604HE162](#) [604HE223-6B](#) [624HE17-RB](#) [6HM82](#)
[6HM89](#) [6SE1](#) [6SX1-H58](#) [70500216](#) [70599106](#) [MBD5B1](#) [MBH2731](#) [73-316-0012](#) [EXD-AR20](#) [79211923](#) [79218589](#) [7AS12](#)
[MIL30126AB6BBMD4A12XAU](#) [ML-1155](#) [ML-1376](#) [831010C3.0](#) [831090C2.EL](#) [83131904](#) [84212012](#) [8AS239](#) [8HM73-3](#) [8SX26-H33](#)
[914CE1-6G](#) [PL-100](#) [11SM1077-H4](#) [11SM1077-H58](#) [11SM1-TN107](#) [11SM405](#) [11SM8423-H2](#) [11SX37-T](#) [11SX48-H58](#) [11SM2442-T](#)
[11SM76-T](#) [11SM77-H58](#) [11SM77-T](#) [11SM863-T](#) [11SM866](#) [A7CN-1M-1-LEFT](#) [A831700C7.0](#) [121EN187-R](#)