



MICRO SWITCH

FREEPORT, ILLINOIS, U.S.A.
A DIVISION OF HONEYWELL

FED. MFG. CODE 91929

SWITCH-BASIC

CATALOG LISTING

V3-15

CK-A1500

V3-15

M

DRAWING NUMBER

1819

ISSUE

16

16

REVISIONS

A CO20189

M B F
11 MAY 65

B CO21688

M B F
3 OCT 66

C CO31509

R E R
22 JAN 73

D CO32395

K S W
24 FEB 76

E CO47241

G J W
MAR 80

F CO56987

S M A
1 OCT 85

G CO74634

K D R
5 MAY 93

REPLACES

RELEASE NO.

20MAY65

CHECK P.F.K.

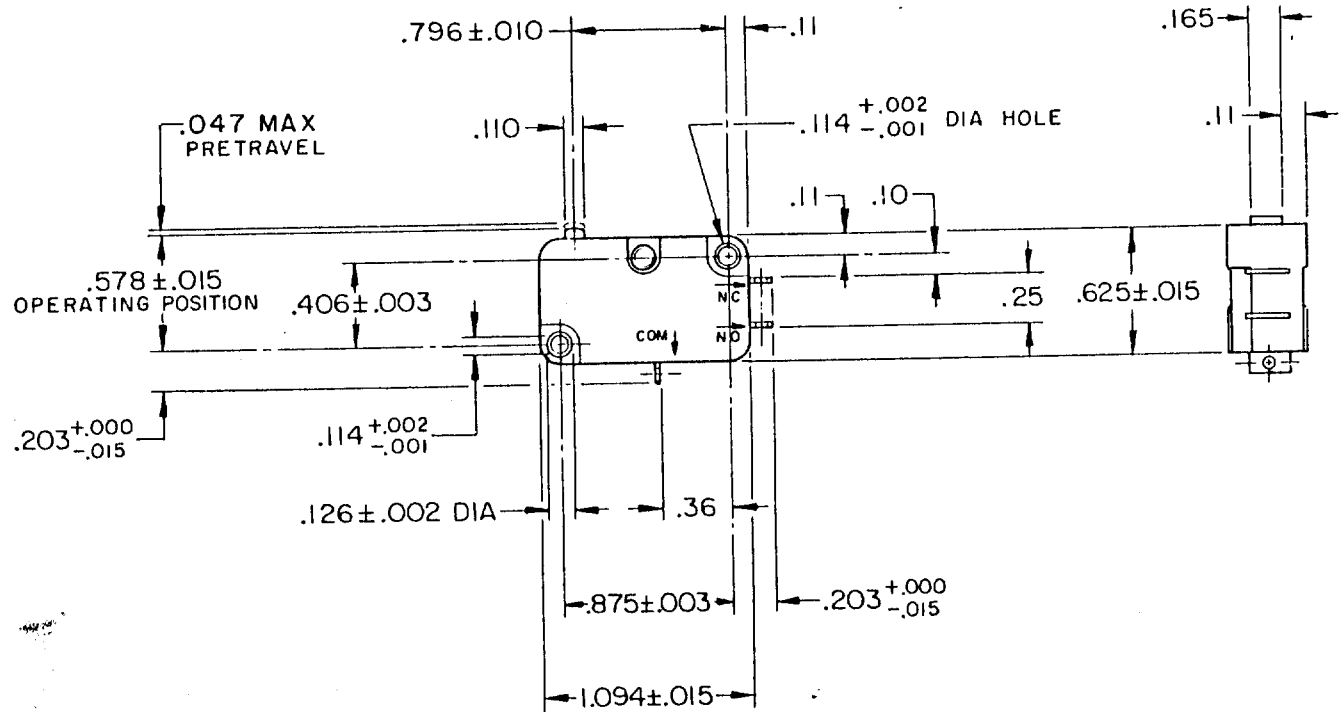
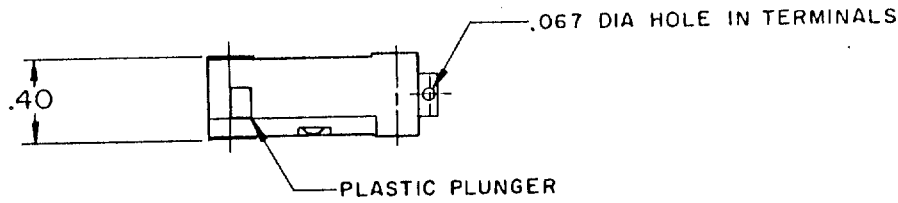
CHECK K.S.D.

CHECK G.J.W.

CHECK G.C.H.

CHECK M.B.F.

DRAWN



- NOTE-
- 1 - TERMINALS ARE PLATED FOR SOLDERING
 - 2 - PLUNGER MATERIAL WILL WITHSTAND TEMPERATURE OF 300°F

THIS DRAWING COVERS A PROPRIETARY ITEM AND IS THE PROPERTY OF MICRO SWITCH, A DIVISION OF HONEYWELL. THIS DRAWING IS NOT TO BE COPIED OR USED WITHOUT THE APPROVAL OF MICRO SWITCH.

CHARACTERISTICS

OPERATING FORCE	6 - 14 OZ
RELEASE FORCE	4 OZ MIN
RELEASE TRAVEL	.007 MIN
DIFFERENTIAL TRAVEL	.006 - .016
OVERTRAVEL	.040 MIN
FREE POSITION	.625 MAX

ELECTRICAL DATA

CONTACT ARRANGEMENT	S P D T
	L83
	15.1A 1/2HP 125 OR 250 VAC
	1/2A 125 VDC, 1/4A 250 VDC
	5A 125 VAC "L"
	RU ©

SCALE	FULL
DO NOT SCALE PRINT	
UNLESS OTHERWISE NOTED	
DIMENSIONS ARE IN INCHES	
TOLERANCES ARE:	
ONE PLACE	(.0) ±.030
TWO PLACE	(.00) ±.015
THREE PLACE	(.000) ±.005
ANGLES	±
WEIGHT	.015 LB

0-50378

X-ON Electronics

Largest Supplier of Electrical and Electronic Components

Click to view similar products for [Basic / Snap Action Switches](#) category:

Click to view products by [Honeywell](#) manufacturer:

Other Similar products are found below :

[5SM901-S12](#) [5SM9-S12N195](#) [01.098.1358.1](#) [602EN532](#) [602EN535-RB](#) [602HE5-RB1](#) [604HE162](#) [604HE223-6B](#) [624HE17-RB](#) [6HM82](#)
[6HM89](#) [6SE1](#) [6SX1-H58](#) [70500216](#) [70599106](#) [MBD5B1](#) [MBH2731](#) [73-316-0012](#) [EXD-AR20](#) [79211923](#) [79218589](#) [7AS12](#)
[MIL30126AB6BBMD4A12XAU](#) [ML-1155](#) [ML-1376](#) [831010C3.0](#) [831090C2.EL](#) [83131904](#) [84212012](#) [8AS239](#) [8HM73-3](#) [8SX26-H33](#)
[914CE1-6G](#) [PL-100](#) [11SM1077-H4](#) [11SM1077-H58](#) [11SM1-TN107](#) [11SM405](#) [11SM8423-H2](#) [11SX37-T](#) [11SX48-H58](#) [11SM2442-T](#)
[11SM76-T](#) [11SM77-H58](#) [11SM77-T](#) [11SM863-T](#) [11SM866](#) [A7CN-1M-1-LEFT](#) [A831700C7.0](#) [121EN187-R](#)