



MICRO SWITCH

FREEPORT, ILLINOIS, U.S.A.
A DIVISION OF HONEYWELL

FED. MFG. CODE 91929

SWITCH-BASIC

CATALOG LISTING

V3-23

CK-A2300

5

REPLACES

RELEASE NO.

DRAWING NUMBER

ISSUE 23

REVISIONS

A	CO20189	P E R	25 MAY 65
B	CO21900	D W C	10 JAN 67
C	CO24941	M B S	3 DEC 68
D	CO26075	M B S	26 AUG 69
E	CO31509	R E R	22 JAN 73
F	CO-32395	K S W	24 FEB 76
G	56987	CO	1 OCT 85
H	CO69053	SMA	1 OCT 85
J	CO74634	J A S	8 FEB 92
K	CO74634	K D R	5 MAY 93

FC-30378

DRAWN

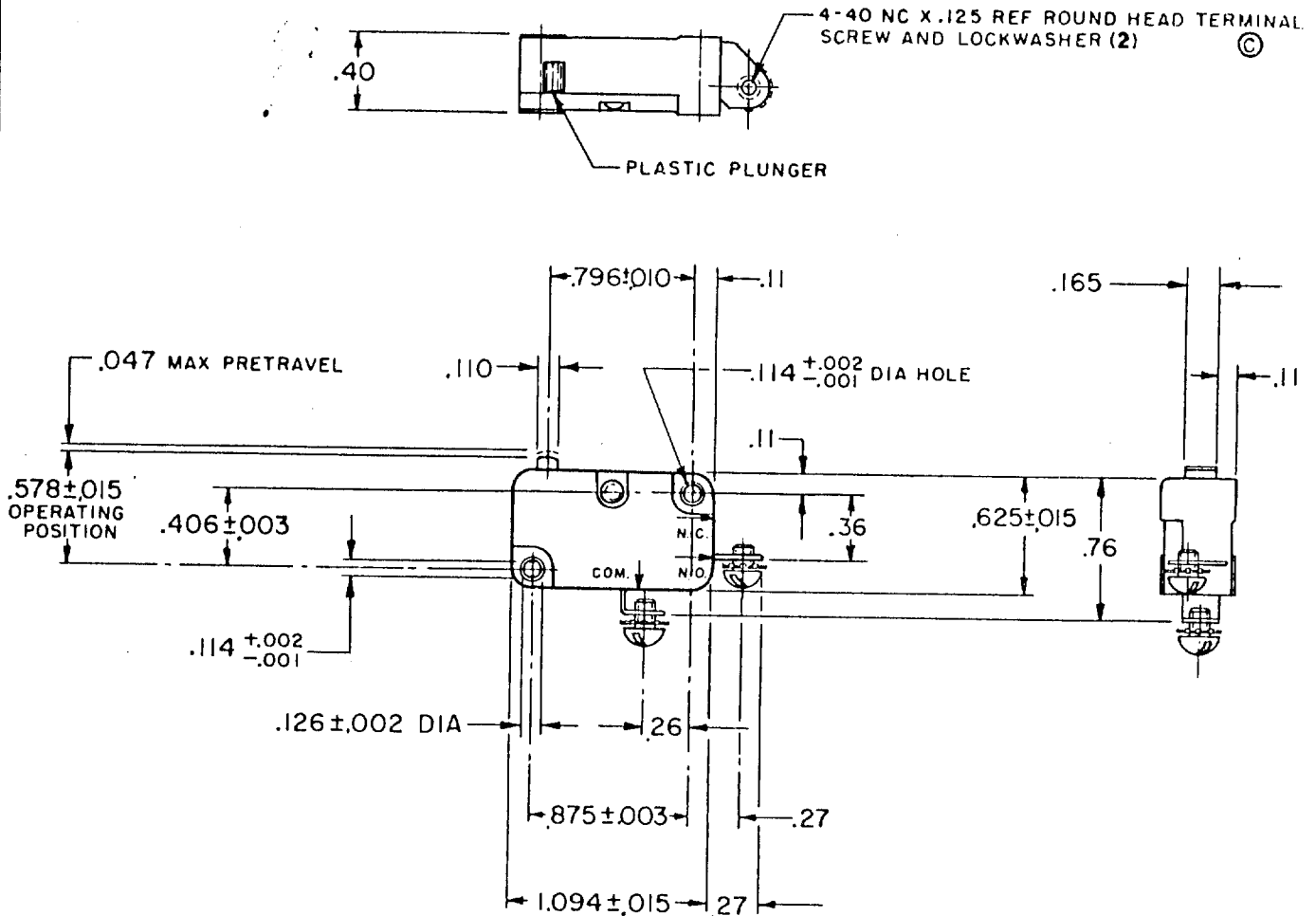
R E R 125 MAY 65

CHECK

PLH 27 MAY 65

DLH 27 MAY 65

hSD



THIS DRAWING COVERS A PROPRIETARY ITEM AND IS THE PROPERTY OF MICRO SWITCH, A DIVISION OF HONEYWELL. THIS DRAWING IS NOT TO BE COPIED OR USED WITHOUT THE APPROVAL OF MICRO SWITCH.

CHARACTERISTICS

OPERATING FORCE - - - - - 6-14 OZ

RELEASE FORCE - - - - - 4 OZ MIN

RELEASE TRAVEL - - - - - .007 MIN

DIFFERENTIAL TRAVEL - - - - .006-.016

OVERTRAVEL - - - - - .040 MIN

FREE POSITION - - - - - .625 MAX

ELECTRICAL DATA

CONTACT ARRANGEMENT
S P N O

15.1A 1/2HP 125 OR 250 VAC L83
1/2A 125 VDC, 1/4A 250 VDC
5A 125 VAC "L"



SCALE FULL

DO NOT SCALE PRINT

UNLESS OTHERWISE NOTED

DIMENSIONS ARE IN INCHES

TOLERANCES ARE:

ONE PLACE	(.0)	±.030
TWO PLACE	(.00)	±.015
THREE PLACE	(.000)	±.005
ANGLES		

WEIGHT .016 LB

X-ON Electronics

Largest Supplier of Electrical and Electronic Components

Click to view similar products for [Basic / Snap Action Switches](#) category:

Click to view products by [Honeywell](#) manufacturer:

Other Similar products are found below :

[5SM901-S12](#) [5SM9-S12N195](#) [01.098.1358.1](#) [602EN532](#) [602EN535-RB](#) [602HE5-RB1](#) [604HE162](#) [604HE223-6B](#) [624HE17-RB](#) [6HM82](#)
[6HM89](#) [6SE1](#) [6SX1-H58](#) [70500216](#) [70599106](#) [MBD5B1](#) [MBH2731](#) [73-316-0012](#) [EXD-AR20](#) [79211923](#) [79218589](#) [7AS12](#)
[MIL30126AB6BBMD4A12XAU](#) [ML-1155](#) [ML-1376](#) [831010C3.0](#) [831090C2.EL](#) [83131904](#) [84212012](#) [8AS239](#) [8HM73-3](#) [8SX26-H33](#)
[914CE1-6G](#) [PL-100](#) [11SM1077-H4](#) [11SM1077-H58](#) [11SM1-TN107](#) [11SM405](#) [11SM8423-H2](#) [11SX37-T](#) [11SX48-H58](#) [11SM2442-T](#)
[11SM76-T](#) [11SM77-H58](#) [11SM77-T](#) [11SM863-T](#) [11SM866](#) [A7CN-1M-1-LEFT](#) [A831700C7.0](#) [121EN187-R](#)