

MICRO SWITCH
a Honeywell Division

FED. MFG. CODE 91 929

SWITCH - BASIC

CATALOG LISTING

V3-23-B

CK-A2310

CATALOG LISTING
V3-23-B
PAGE 1 OF 1
ISSUE 12

REPLACES
RELEASE NO. SR-10128

CHECK

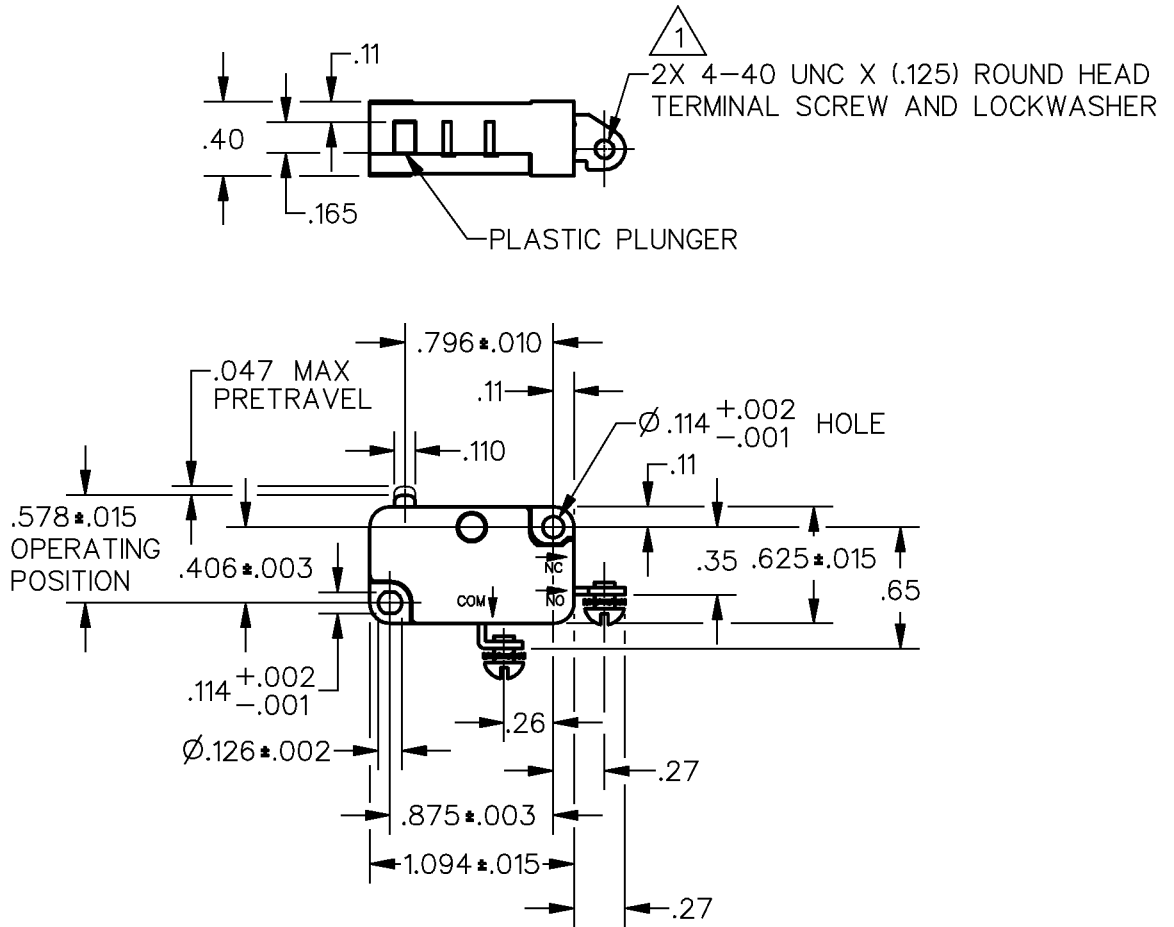
CHECK

26 JUL 95

DCS

CHECK

26 JUL 95
DCS



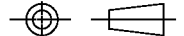
NOTES

- ① TERMINAL SCREW (PART NO VP-10320) AND LOCKWASHER (PART NO VP-14672), TWO EACH, FURNISHED UNASSEMBLED, BULK PACKED
- 2 - MARK CATALOG LISTING "V3-23" ON SWITCH-OMIT THE "B"
- 3 - USE COMPLETE CATALOG LISTING "V3-23-B" ON ALL PACKAGING MATERIAL

ANSI Y14.5M-1982 APPLIES

THIS DRAWING COVERS A PROPRIETARY ITEM AND IS THE PROPERTY OF MICRO SWITCH, A DIVISION OF HONEYWELL. THIS DRAWING IS NOT TO BE COPIED OR USED WITHOUT THE APPROVAL OF MICRO SWITCH.

THIRD ANGLE PROJECTION



CHARACTERISTICS	ELECTRICAL DATA	SCALE FULL	DO NOT SCALE PRINT
OPERATING FORCE — — — — 6-14 OZ	CONTACT ARRANGEMENT S P N O	UNLESS OTHERWISE SPECIFIED TOLERANCES ARE	
RELEASE FORCE — — — — 4 OZ MIN	L83 15.1A 1/2HP 125, 250 VAC 1/2A 125 VDC, 1/4A 250 VDC 5A 125 VAC "L"	ONE PLACE (.0)	± .030
DIFFERENTIAL TRAVEL — — — .006-.016		TWO PLACE (.00)	± .015
OVERTRAVEL — — — — .040 MIN		THREE PLACE (.000)	± .005
FREE POSITION — — — — .625 MAX		ANGLES	±
RELEASE TRAVEL — — — — .007 MIN		WEIGHT .016 LB	



DDM/CAD
DRAWN

X-ON Electronics

Largest Supplier of Electrical and Electronic Components

Click to view similar products for [Basic / Snap Action Switches](#) category:

Click to view products by [Honeywell](#) manufacturer:

Other Similar products are found below :

[5SM901-S12](#) [5SM9-S12N195](#) [602EN532](#) [602EN535-RB](#) [602HE5-RB1](#) [604HE162](#) [604HE223-6B](#) [624HE17-RB](#) [6HM82](#) [6HM89](#) [6SE1](#)
[6SX1-H58](#) [70500216](#) [70599106](#) [MBD5B1](#) [MBH2731](#) [73-316-0012](#) [EXD-AR20](#) [79211923](#) [79218589](#) [7AS12](#)
[MIL30126AB6BBMD4A12XAU](#) [ML-1155](#) [ML-1376](#) [831010C3.0](#) [831090C2.EL](#) [83131904](#) [84212012](#) [8AS239](#) [8HM73-3](#) [8SX26-H33](#)
[914CE1-6G](#) [PL-100](#) [11SM1077-H4](#) [11SM1077-H58](#) [11SM1-TN107](#) [11SM405](#) [11SM8423-H2](#) [11SX37-T](#) [11SX48-H58](#) [11SM2442-T](#)
[11SM76-T](#) [11SM77-H58](#) [11SM77-T](#) [11SM863-T](#) [11SM866](#) [A7CN-1M-1-LEFT](#) [A831700C7.0](#) [121EN187-R](#) [121EN188-R](#)