

MICRO SWITCH

FREERPORT ILLINOIS, U.S.A
A DIVISION OF HONEYWELL
FED. MFG. CODE 91929

SWITCH-BASIC

CATALOG LISTING

V3-3015

CK-X3270

V3-3015

M

DRAWING NUMBER

X 2

X 5

ISSUE

X 5

REPLACES

PR-5823

CHECK

REVISIONS

A

CO

38059

GLH

3 FEB 77

B

CO55729

KEW

28 AUG 84

C

CO

36997

SMA

1 OCT 85

D

CO76103

LJF

4 OCT 93

CHECK

22 APRIL 76

C E B

CHECK

22 APR 76

C E B

CHECK

22 APR 76

C E B

CHECK

22 APR 76

C E B

CHECK

22 APR 76

C E B

CHECK

22 APR 76

C E B

CHECK

22 APR 76

C E B

CHECK

22 APR 76

C E B

CHECK

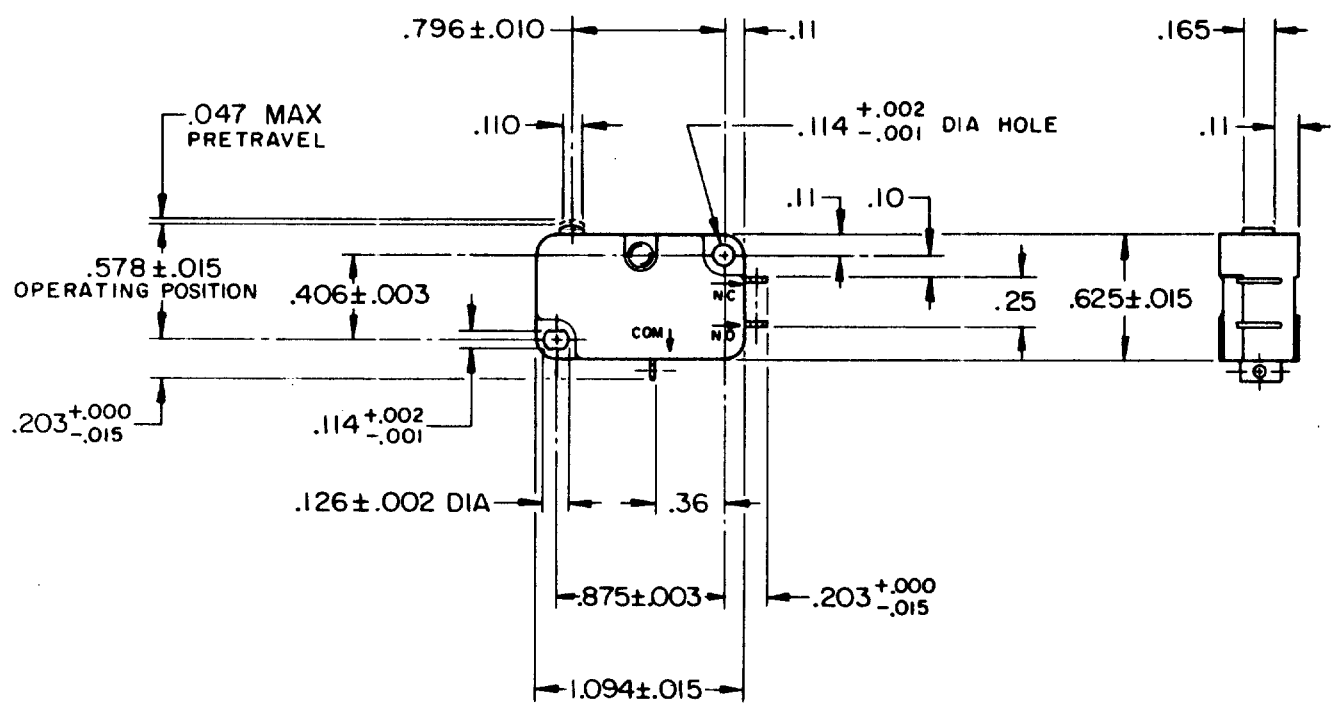
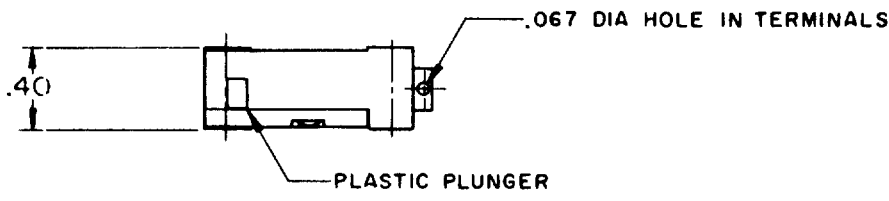
22 APR 76

C E B

CHECK

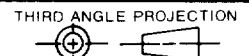
22 APR 76

C E B



NOTE -
1 - TERMINALS ARE PLATED FOR SOLDERING

THIS DRAWING COVERS A PROPRIETARY ITEM AND IS THE PROPERTY OF MICRO SWITCH, A DIVISION OF HONEYWELL. THIS DRAWING IS NOT TO BE COPIED OR USED WITHOUT THE APPROVAL OF MICRO SWITCH.



CHARACTERISTICS

OPERATING FORCE --- 150 GRAM MAX
RELEASE TRAVEL --- .010 MIN
RELEASE FORCE --- 15 GRAM MIN
DIFFERENTIAL TRAVEL --- .002-.010
OVERTRAVEL --- .050 MIN
FREE POSITION --- .625 MAX

ELECTRICAL DATA

CONTACT ARRANGEMENT
S P D T

L83
15.1A 1/2HP 125 OR 250 VAC
1/2A 125 VDC, 1/4A 250 VDC
5A 125 VAC "L"



SCALE FULL

DO NOT SCALE PRINT

TOLERANCES
APPLY TO DESIGN UNITS. CONVERSIONS ARE ONLY FOR REFERENCE. UNLESS NOTED, TOLERANCES ARE ±

DIM.	TOL.	DIM.	TOL.
mm	mm/in	in	mm/in
NO PLACES	X	1/04	0.8/03
ONE PLACE	X,X	0.4/016	0.38/015
TWO PLACES	X,XX	0.15/006	0.13/005
THREE PLACES	X,XXX		
ANGLES			

DESIGN UNITS SI METRIC US CUSTOMARY

WEIGHT

FO-52848-A

DRAWN

GLH 22 APR 76

X-ON Electronics

Largest Supplier of Electrical and Electronic Components

Click to view similar products for [Basic / Snap Action Switches](#) category:

Click to view products by [Honeywell](#) manufacturer:

Other Similar products are found below :

[5SM901-S12](#) [5SM9-S12N195](#) [01.098.1358.1](#) [602EN532](#) [602EN535-RB](#) [602HE5-RB1](#) [604HE162](#) [604HE223-6B](#) [624HE17-RB](#) [6HM82](#)
[6HM89](#) [6SE1](#) [6SX1-H58](#) [70500216](#) [70599106](#) [MBD5B1](#) [MBH2731](#) [73-316-0012](#) [EXD-AR20](#) [79211923](#) [79218589](#) [7AS12](#)
[MIL30126AB6BBMD4A12XAU](#) [ML-1155](#) [ML-1376](#) [831010C3.0](#) [831090C2.EL](#) [83131904](#) [84212012](#) [8AS239](#) [8HM73-3](#) [8SX26-H33](#)
[914CE1-6G](#) [PL-100](#) [11SM1077-H4](#) [11SM1077-H58](#) [11SM1-TN107](#) [11SM405](#) [11SM8423-H2](#) [11SX37-T](#) [11SX48-H58](#) [11SM2442-T](#)
[11SM76-T](#) [11SM77-H58](#) [11SM77-T](#) [11SM863-T](#) [11SM866](#) [A7CN-1M-1-LEFT](#) [A831700C7.0](#) [121EN187-R](#)