

**MICRO SWITCH**

FREEPORT ILLINOIS U S A  
A DIVISION OF HONEYWELL

FED. MFG. CODE 91929

# SWITCH-BASIC

CATALOG LISTING  
**V3-3019**

**CK-X3295**

THIS DRAWING COVERS A PROPRIETARY ITEM AND IS THE PROPERTY OF MICRO SWITCH A DIVISION OF HONEYWELL. THIS DRAWING IS NOT TO BE COPIED OR USED WITHOUT THE APPROVAL OF MICRO SWITCH.

M

V3-3019

REPLACES

RELEASE NO. PR-6074

M

DRAWING NUMBER

6

ISSUE

8

CHECK

REVISIONS

A PR-6074

R E R

6 AUG 76

B C055729

K E W

29 AUG 84

C CO

56987

SMA

1 OCT 85

D CO

72387

WJC

27 JUN 92

E C076103

LIF

4 OCT 93

CHECK

18 JULY 74

D J U

CHECK

5 JUNE 74

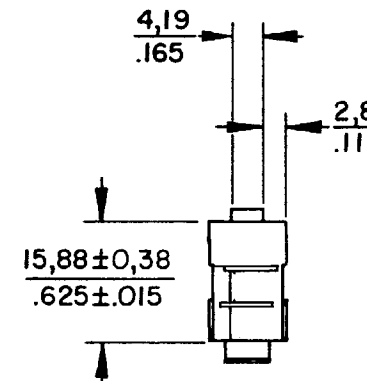
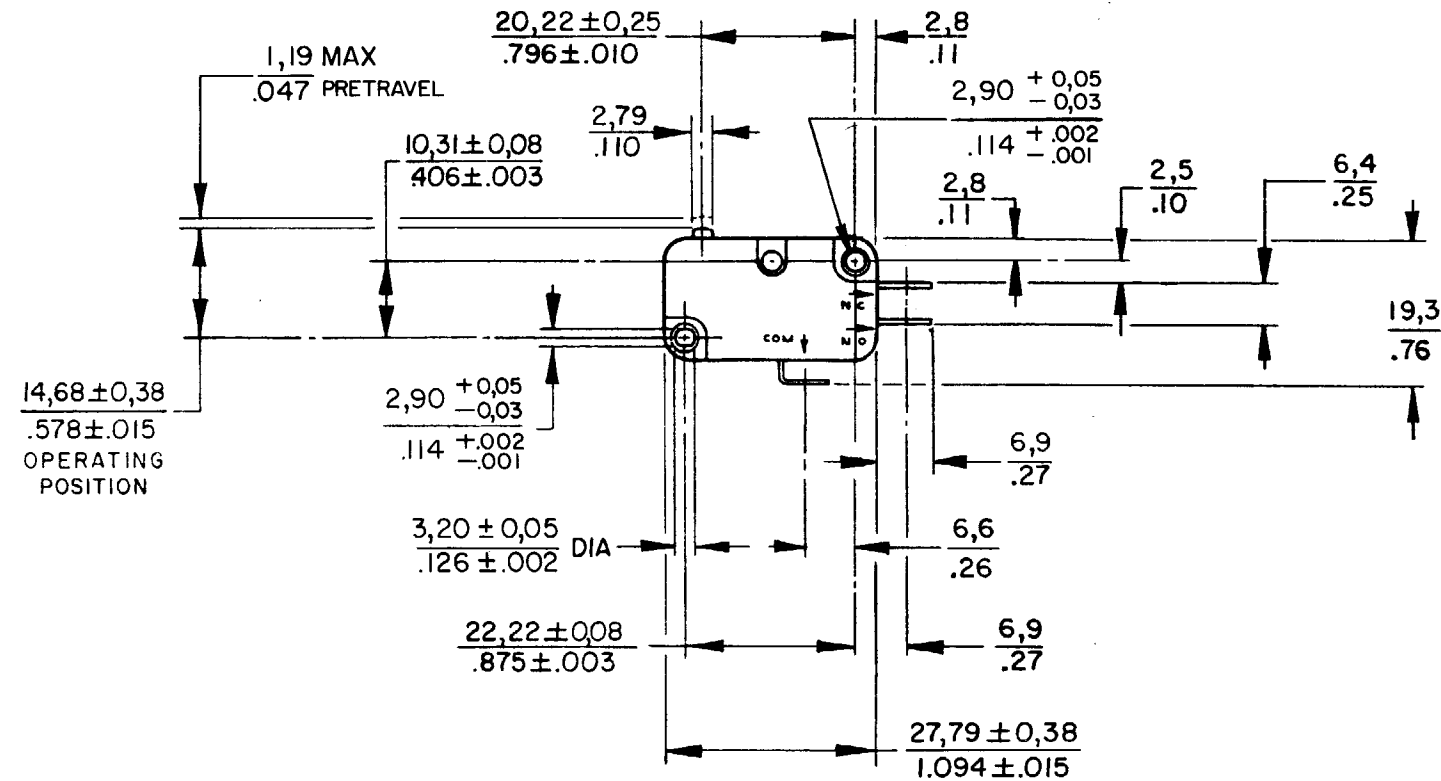
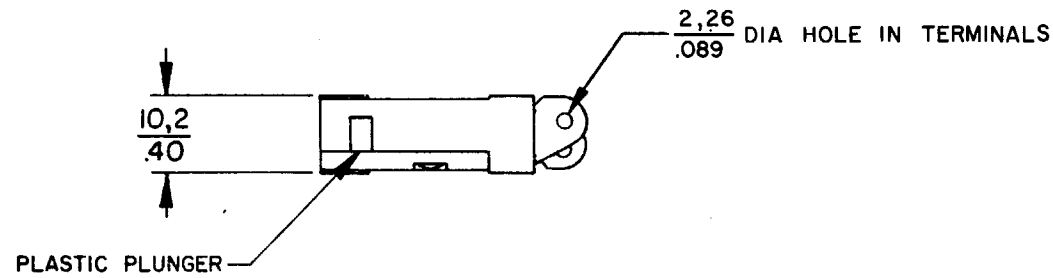
CHECK

5 JUNE 74

CHECK

FO-52851

DRAWN



### NOTES

- 1 - LINEAR MEASURE  $\frac{mm}{IN.}$ , mm/IN.
- 2 - mm DIMENSIONS ARE FOR REF ONLY
- 3 - TERMINALS ARE SILVER PLATED FOR SOLDERING

CHARACTERISTICS	ELECTRICAL DATA	SCALE FULL
OPERATING FORCE ----- 150 GRAM MAX	CONTACT ARRANGEMENT S P D T	DO NOT SCALE PRINT
RELEASE TRAVEL ----- .010 MIN	<b>L83</b> 15.1A 1/2HP 125 OR 250 VAC 1/2A 125 VDC, 1/4A 250 VDC 5A 125 VAC "L" 	UNLESS OTHERWISE NOTED
RELEASE FORCE ----- 15 GRAM MIN		DIMENSIONS ARE IN INCHES
DIFFERENTIAL TRAVEL ----- 0,05 - 0,26 .002 .010		<b>TOLERANCES ARE:</b>
OVERTRAVEL ----- 1,27 / .050 MIN		ONE PLACE (.01) ± 0,8 / .030
FREE POSITION ----- 15,88 / .625 MAX		TWO PLACE (.001) ± 0,38 / .015
		THREE PLACE (.0001) ± 0,15 / .005
		ANGLES ±
		WEIGHT .016 LB

## X-ON Electronics

Largest Supplier of Electrical and Electronic Components

*Click to view similar products for [Basic / Snap Action Switches](#) category:*

*Click to view products by [Honeywell](#) manufacturer:*

Other Similar products are found below :

[5SM901-S12](#) [5SM9-S12N195](#) [01.098.1358.1](#) [602EN532](#) [602EN535-RB](#) [602HE5-RB1](#) [604HE162](#) [604HE223-6B](#) [624HE17-RB](#) [6HM82](#)  
[6HM89](#) [6SE1](#) [6SX1-H58](#) [70500216](#) [70599106](#) [MBD5B1](#) [MBH2731](#) [73-316-0012](#) [EXD-AR20](#) [79211923](#) [79218589](#) [7AS12](#)  
[MIL30126AB6BBMD4A12XAU](#) [ML-1155](#) [ML-1376](#) [831010C3.0](#) [831090C2.EL](#) [83131904](#) [84212012](#) [8AS239](#) [8HM73-3](#) [8SX26-H33](#)  
[914CE1-6G](#) [PL-100](#) [11SM1077-H4](#) [11SM1077-H58](#) [11SM1-TN107](#) [11SM405](#) [11SM8423-H2](#) [11SX37-T](#) [11SX48-H58](#) [11SM2442-T](#)  
[11SM76-T](#) [11SM77-H58](#) [11SM77-T](#) [11SM863-T](#) [11SM866](#) [A7CN-1M-1-LEFT](#) [A831700C7.0](#) [121EN187-R](#)