

# MICRO SWITCH

FREEPORT ILLINOIS, U.S.A  
A DIVISION OF HONEYWELL  
FED. MFG. CODE 91929

# SWITCH - BASIC

CATALOG LISTING

V3-3045

CK-X3465

V3-3045

REPLACES X76257-V3

RELEASE NO. PR-11793

M

DRAWING NUMBER

36

ISSUE

3

CHECK

REVISIONS

A	CO	52718
3	WJM	FEB 83
B	0054315	
	JAP	JAN 84
C	C055729	
	K E W	29 AUG 84
D	CO	30087
	SMA	OCT 85
E	CO	76104
	GRT	9 OCT 93

CHECK

DEC 82

DEC 82

DEC 82

DEC 82

DEC 82

DEC 82

DEC 82

DEC 82

DEC 82

DEC 82

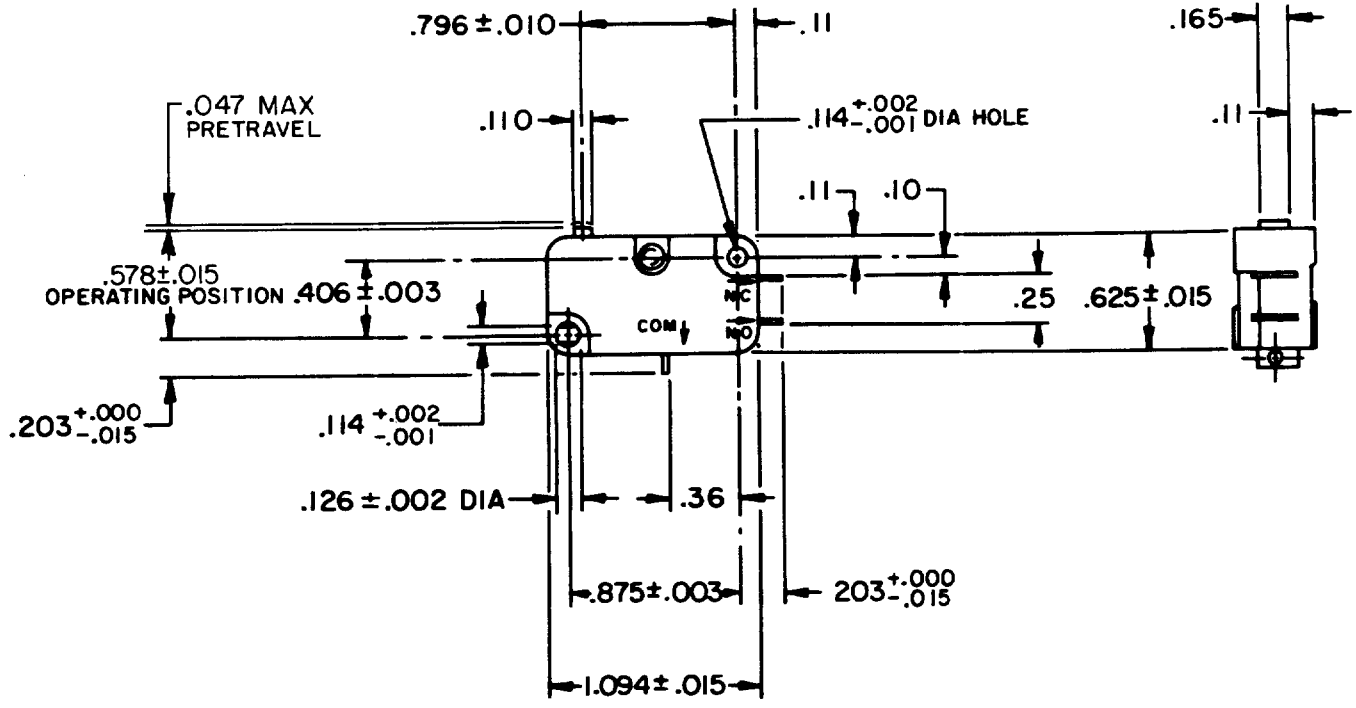
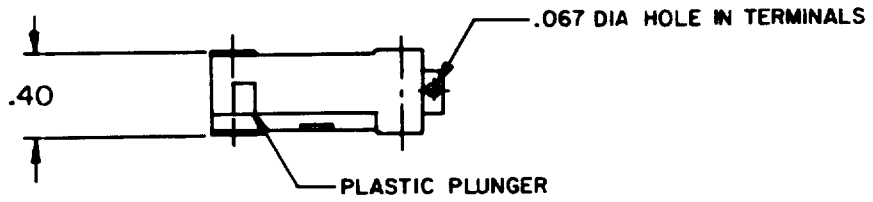
DEC 82

DEC 82

DEC 82

DEC 82

DEC 82



NOTE -  
1 - TERMINALS ARE PLATED FOR SOLDERING  
2 - PLUNGER MATERIAL WILL WITHSTAND TEMPERATURE OF 300° F

THIS DRAWING COVERS A PROPRIETARY ITEM AND IS THE PROPERTY OF MICRO SWITCH, A DIVISION OF HONEYWELL. THIS DRAWING IS NOT TO BE COPIED OR USED WITHOUT THE APPROVAL OF MICRO SWITCH.

THIRD ANGLE PROJECTION

**CHARACTERISTICS**

OPERATING FORCE — — — 150 GRAM MAX  
RELEASE FORCE — — — — 15 GRAM MIN  
DIFFERENTIAL TRAVEL — — — .001-.006  
OVERTRAVEL — — — — .050 MIN  
FREE POSITION — — — — .625 MAX  
RELEASE TRAVEL — — — — .010 MIN

**ELECTRICAL DATA**

CONTACT ARRANGEMENT  
S P D T

L83  
15.1A 1/2HP 125 OR 250 VAC  
1/2A 125 VDC, 1/4A 250 VDC  
5A 125 VAC "L"



**SCALE FULL**

DO NOT SCALE PRINT

**TOLERANCES**  
APPLY TO DESIGN UNITS. CONVERSIONS ARE ONLY FOR REFERENCE. UNLESS NOTED, TOLERANCES ARE ±

	DM.	TOL.	DM.	TOL.
	mm	mm/in	in	mm/in
NO PLACES	X	1/64	X.X	0.01/03
ONE PLACE	X.X	0.001/016	X.XX	0.001/015
TWO PLACES	X.XX	0.0001/0008	X.XXX	0.13/005
THREE PLACES	X.XXX		X.XXX	
ANGLES				

BI METRIC  US CUSTOMARY

DESIGN UNITS

WEIGHT

FO-52848-A

DRAWN

J A P 21 DEC 82

## X-ON Electronics

Largest Supplier of Electrical and Electronic Components

*Click to view similar products for [Basic / Snap Action Switches](#) category:*

*Click to view products by [Honeywell](#) manufacturer:*

Other Similar products are found below :

[5SM901-S12](#) [5SM9-S12N195](#) [01.098.1358.1](#) [602EN532](#) [602EN535-RB](#) [602HE5-RB1](#) [604HE162](#) [604HE223-6B](#) [624HE17-RB](#) [6HM82](#)  
[6HM89](#) [6SE1](#) [6SX1-H58](#) [70500216](#) [70599106](#) [MBD5B1](#) [MBH2731](#) [73-316-0012](#) [EXD-AR20](#) [79211923](#) [79218589](#) [7AS12](#)  
[MIL30126AB6BBMD4A12XAU](#) [ML-1155](#) [ML-1376](#) [831010C3.0](#) [831090C2.EL](#) [83131904](#) [84212012](#) [8AS239](#) [8HM73-3](#) [8SX26-H33](#)  
[914CE1-6G](#) [PL-100](#) [11SM1077-H4](#) [11SM1077-H58](#) [11SM1-TN107](#) [11SM405](#) [11SM8423-H2](#) [11SX37-T](#) [11SX48-H58](#) [11SM2442-T](#)  
[11SM76-T](#) [11SM77-H58](#) [11SM77-T](#) [11SM863-T](#) [11SM866](#) [A7CN-1M-1-LEFT](#) [A831700C7.0](#) [121EN187-R](#)