

# MICRO SWITCH

FREEPORT ILLINOIS, U.S.A  
A DIVISION OF HONEYWELL  
FED. MFG. CODE 91929

## SWITCH-BASIC

CATALOG LISTING

V3-355

CK-D3400

V3-355

PAGE 1 OF 1

REPLACES X64169-V3  
RELEASE NO. PR-5787

M

DRAWING NUMBER

27

X8

ISSUE

8A

CHECK

REVISIONS

A	CO39182	C E B	10 FEB 78
B	CO 59921	SMA	29 SEPT 88
C	CO 73764	D H D	30 NOV 92
D	CO - 74087	J W B	17 FEB 93
E	CO 77116	D C S	31 MAR 94
F	CO-93311	TSM	15 OCT 98

CHECK

CHECK

CHECK

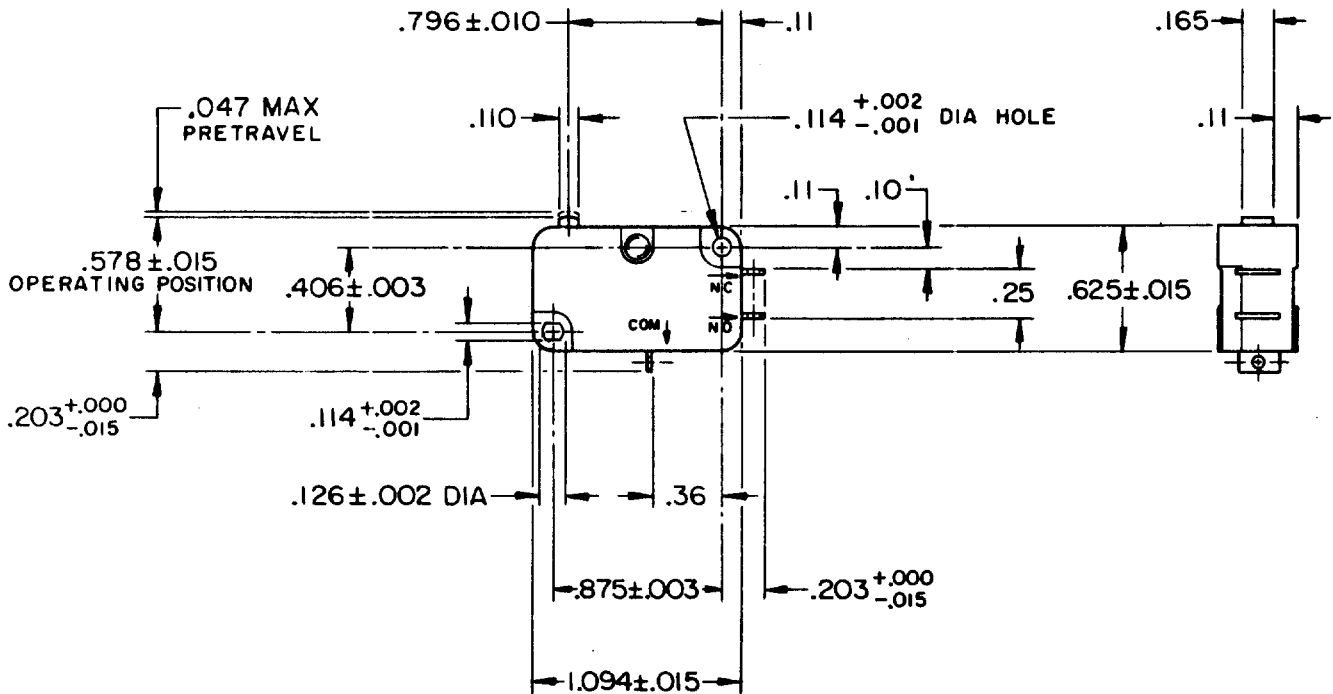
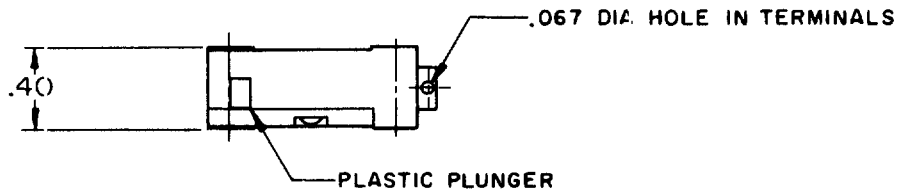
CHECK

CHECK

CHECK

CHECK

CHECK

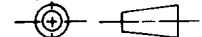


NOTES

- 1 - TERMINALS ARE PLATED FOR SOLDERING
- 2 - IN INSPECTION, DO NOT BURN OUT - GOLD CONTACTS
- 3 - IN INSPECTION, DO NOT EXCEED 10 VDC, .1A RESISTIVE LOAD

THIS DRAWING COVERS A PROPRIETARY ITEM AND IS THE PROPERTY OF MICRO SWITCH, A DIVISION OF HONEYWELL. THIS DRAWING IS NOT TO BE COPIED OR USED WITHOUT THE APPROVAL OF MICRO SWITCH.

THIRD ANGLE PROJECTION



CHARACTERISTICS

OPERATING FORCE	----- 8 OZ MAX
RELEASE FORCE	----- 2 OZ MIN
DIFFERENTIAL TRAVEL	-----.006-.016
OVERTRAVEL	----- .040 MIN
FREE POSITION	----- .625 MAX
RELEASE TRAVEL	----- .007 MIN

ELECTRICAL DATA

CONTACT ARRANGEMENT  
S P D T

L156 11A-1/3HP-125, 250, 277VAC  
1/2A-125VDC; 1/4A-250VDC  
4A-125VAC "L"



SCALE FULL

DO NOT SCALE PRINT

TOLERANCES  
APPLY TO DESIGN UNITS. CONVERSIONS ARE ONLY FOR REFERENCE. UNLESS NOTED, TOLERANCES ARE ±

DIM.	TOL.	DIM.	TOL.
mm	mm/in	in	mm/in
NO PLACES	X	1/04	0.81/03
ONE PLACE	X,X	0.47/018	X,XX 0.387/015
TWO PLACES	X,XX	0.157/006	X,XXX 0.137/005
THREE PLACES	X,XXX		

DESIGN UNITS  SI METRIC  US CUSTOMARY

WEIGHT .016 LB

FORMTEK

DRAWN

J A L 2 APR 76 CHECK C E B 13 APRIL 76

## X-ON Electronics

Largest Supplier of Electrical and Electronic Components

*Click to view similar products for [Basic / Snap Action Switches](#) category:*

*Click to view products by [Honeywell](#) manufacturer:*

Other Similar products are found below :

[5SM901-S12](#) [5SM9-S12N195](#) [01.098.1358.1](#) [602EN532](#) [602EN535-RB](#) [602HE5-RB1](#) [604HE162](#) [604HE223-6B](#) [624HE17-RB](#) [6HM82](#)  
[6HM89](#) [6SE1](#) [6SX1-H58](#) [70500216](#) [70599106](#) [MBD5B1](#) [MBH2731](#) [73-316-0012](#) [EXD-AR20](#) [79211923](#) [79218589](#) [7AS12](#)  
[MIL30126AB6BBMD4A12XAU](#) [ML-1155](#) [ML-1376](#) [831010C3.0](#) [831090C2.EL](#) [83131904](#) [84212012](#) [8AS239](#) [8HM73-3](#) [8SX26-H33](#)  
[914CE1-6G](#) [PL-100](#) [11SM1077-H4](#) [11SM1077-H58](#) [11SM1-TN107](#) [11SM405](#) [11SM8423-H2](#) [11SX37-T](#) [11SX48-H58](#) [11SM2442-T](#)  
[11SM76-T](#) [11SM77-H58](#) [11SM77-T](#) [11SM863-T](#) [11SM866](#) [A7CN-1M-1-LEFT](#) [A831700C7.0](#) [121EN187-R](#)