



MICRO SWITCH

FREEPORT, ILLINOIS, U.S.A.
A DIVISION OF HONEYWELL

FED. MFG. CODE 91929

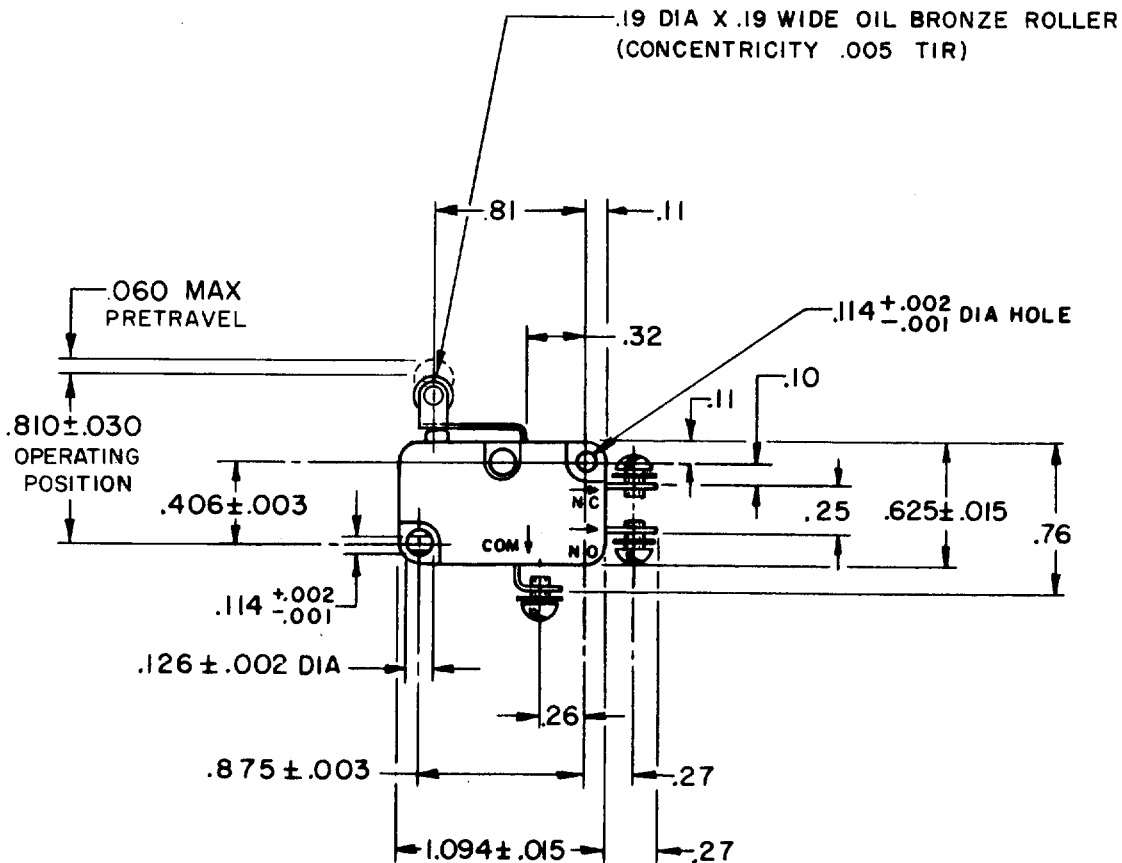
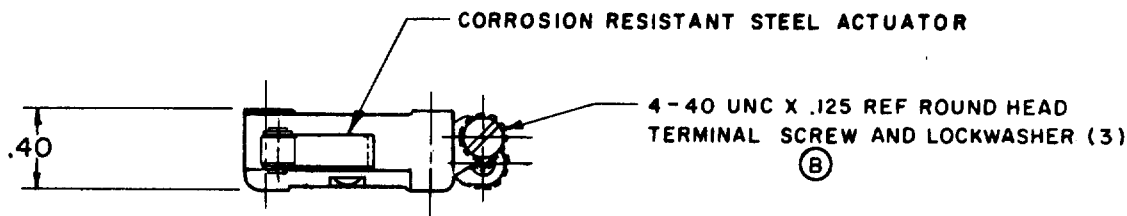
SWITCH - BASIC

CATALOG LISTING

V3L-139

5

CQ-B3700



V3L-139	M	DRAWING NUMBER	9	ISSUE	8	CHECK	RELEASE NO.	SR-12775	REPLACES
							LSD 10 MAR 67		
REVISIONS							CHECK		
A		SRI2775							
	D W C	10 MAR 67							
B		CO24941							
	M B S	4 DEC 68							
C		CO26075							
	M B S	27 AUG 69							
D		CO31748							
	L S D	3 APR 73							
E		CO-32396							
	K P K	7 FEB 74							
F		CO 59921							
	SMA	20 SEPT 88							
G		CO 76442							
	D C S	2 DEC 93							

THIS DRAWING COVERS A PROPRIETARY ITEM AND IS THE PROPERTY OF MICRO SWITCH, A DIVISION OF HONEYWELL. THIS DRAWING IS NOT TO BE COPIED OR USED WITHOUT THE APPROVAL OF MICRO SWITCH.

CHARACTERISTICS

OPERATING FORCE ----- 8 OZ MAX

RELEASE FORCE ----- 2 OZ MIN

DIFFERENTIAL TRAVEL ----- .016 MAX

OVERTRAVEL ----- .040 MIN

RELEASE TRAVEL ----- .007 MIN

ELECTRICAL DATA

CONTACT ARRANGEMENT
S P D T

- L156 - 11A-1/3HP-125-250-277 VAC
1/2A-125 VDC; 1/4A-250 VDC
4A-125 VAC "L"



SCALE FULL

DO NOT SCALE PRINT

UNLESS OTHERWISE NOTED

DIMENSIONS ARE IN INCHES

TOLERANCES ARE:

ONE PLACE	(.0)	±.030
TWO PLACE	(.00)	±.015
THREE PLACE	(.000)	±.005
ANGLES		±

WEIGHT

X-ON Electronics

Largest Supplier of Electrical and Electronic Components

Click to view similar products for [Basic / Snap Action Switches](#) category:

Click to view products by [Honeywell](#) manufacturer:

Other Similar products are found below :

[5SM901-S12](#) [5SM9-S12N195](#) [01.098.1358.1](#) [602EN532](#) [602EN535-RB](#) [602HE5-RB1](#) [604HE162](#) [604HE223-6B](#) [624HE17-RB](#) [6HM82](#)
[6HM89](#) [6SE1](#) [6SX1-H58](#) [70500216](#) [70599106](#) [MBD5B1](#) [MBH2731](#) [73-316-0012](#) [EXD-AR20](#) [79211923](#) [79218589](#) [7AS12](#)
[MIL30126AB6BBMD4A12XAU](#) [ML-1155](#) [ML-1376](#) [831010C3.0](#) [831090C2.EL](#) [83131904](#) [84212012](#) [8AS239](#) [8HM73-3](#) [8SX26-H33](#)
[914CE1-6G](#) [PL-100](#) [11SM1077-H4](#) [11SM1077-H58](#) [11SM1-TN107](#) [11SM405](#) [11SM8423-H2](#) [11SX37-T](#) [11SX48-H58](#) [11SM2442-T](#)
[11SM76-T](#) [11SM77-H58](#) [11SM77-T](#) [11SM863-T](#) [11SM866](#) [A7CN-1M-1-LEFT](#) [A831700C7.0](#) [121EN187-R](#)