

# MICRO SWITCH

FREEDPORT ILLINOIS, U.S.A.  
A DIVISION OF HONEYWELL  
FED. MFG. CODE 91829

# SWITCH-BASIC

CATALOG LISTING

V3L-2163

CQX1407

V3L-2163

M

DRAWING NUMBER

2

ISSUE

3

REPLACES

PR-3319

RELEASE NO.

CHECK

REVISIONS

|            |    |       |
|------------|----|-------|
| A          | CO | 58821 |
| SMA        |    |       |
| 28 SEPT 66 |    |       |
| B          | CO | 76300 |
| JOB        |    |       |
| 19 NOV 93  |    |       |

CHECK

27 APR 73

LSD

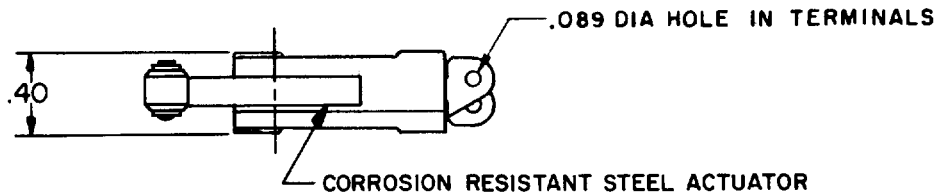
73

APR

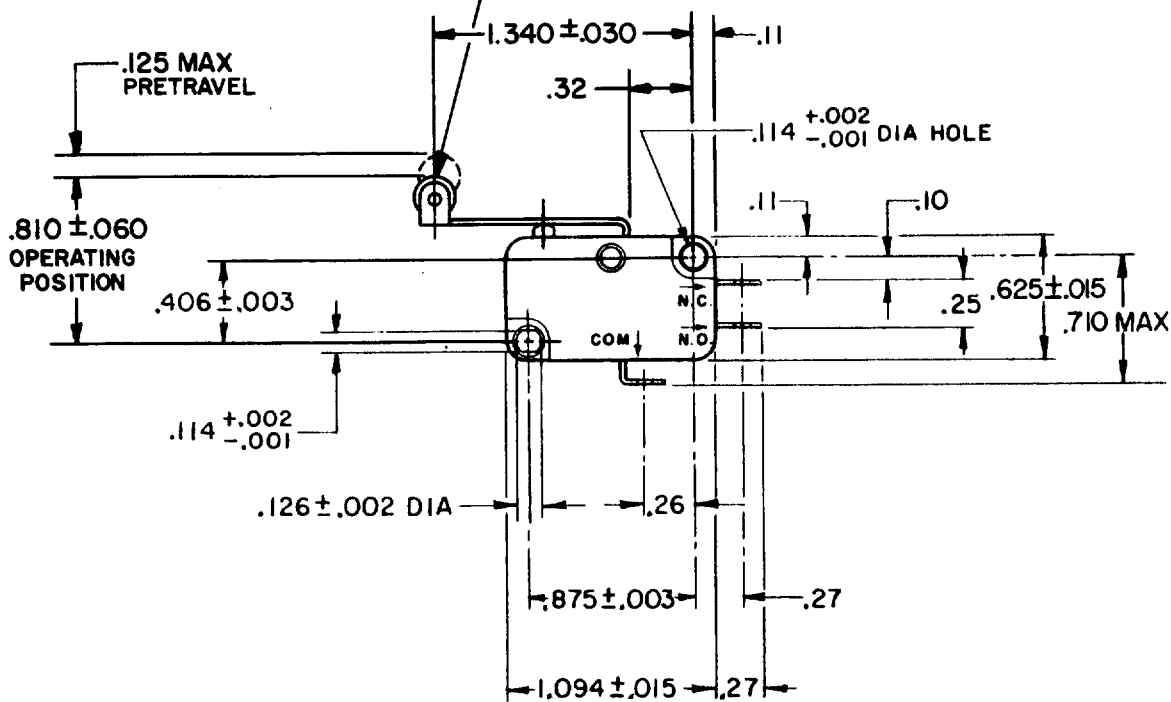
R

C

R



.19 DIA X .19 WIDE OIL BRONZE ROLLER  
(CONCENTRICITY .005 TIR)



NOTE -  
1- TERMINALS ARE PLATED FOR SOLDERING

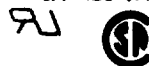
THIS DRAWING COVERS A PROPRIETARY ITEM AND IS THE PROPERTY OF MICRO SWITCH, A DIVISION OF HONEYWELL. THIS DRAWING IS NOT TO BE COPIED OR USED WITHOUT THE APPROVAL OF MICRO SWITCH.

### CHARACTERISTICS

OPERATING FORCE -----31 GRAM MAX  
RELEASE FORCE -----2 GRAM MIN  
DIFFERENTIAL TRAVEL -----.030 MAX  
OVERTRAVEL -----.085 MIN  
RELEASE TRAVEL -----.016 MIN

### ELECTRICAL DATA

CONTACT ARRANGEMENT  
S P D T  
  
-L131- 10A-1/4HP-125 OR 250 VAC  
1/2A-125 VDC; 1/4A-250 VDC  
3A-125 VAC "L"



### SCALE FULL

DO NOT SCALE PRINT  
UNLESS OTHERWISE NOTED  
DIMENSIONS ARE IN INCHES  
**TOLERANCES ARE**  
ONE PLACE (.0) ± .030  
TWO PLACE (.00) ± .015  
THREE PLACE (.000) ± .005  
ANGLES ±  
WEIGHT

FO-52848

DRAWN

## X-ON Electronics

Largest Supplier of Electrical and Electronic Components

*Click to view similar products for [Basic / Snap Action Switches](#) category:*

*Click to view products by [Honeywell](#) manufacturer:*

Other Similar products are found below :

[5SM901-S12](#) [5SM9-S12N195](#) [01.098.1358.1](#) [602EN532](#) [602EN535-RB](#) [602HE5-RB1](#) [604HE162](#) [604HE223-6B](#) [624HE17-RB](#) [6HM82](#)  
[6HM89](#) [6SE1](#) [6SX1-H58](#) [70500216](#) [70599106](#) [MBD5B1](#) [MBH2731](#) [73-316-0012](#) [EXD-AR20](#) [79211923](#) [79218589](#) [7AS12](#)  
[MIL30126AB6BBMD4A12XAU](#) [ML-1155](#) [ML-1376](#) [831010C3.0](#) [831090C2.EL](#) [83131904](#) [84212012](#) [8AS239](#) [8HM73-3](#) [8SX26-H33](#)  
[914CE1-6G](#) [PL-100](#) [11SM1077-H4](#) [11SM1077-H58](#) [11SM1-TN107](#) [11SM405](#) [11SM8423-H2](#) [11SX37-T](#) [11SX48-H58](#) [11SM2442-T](#)  
[11SM76-T](#) [11SM77-H58](#) [11SM77-T](#) [11SM863-T](#) [11SM866](#) [A7CN-1M-1-LEFT](#) [A831700C7.0](#) [121EN187-R](#)