

MICRO SWITCH
a Honeywell Division

FED. MFG. CODE 91929

SWITCH - BASIC

CATALOG LISTING
V3L-3339

CQ-X2868

V3L-3339

CATALOG LISTING

M

ISSUE
2

REPLACES X91253-V3L

RELEASE NO. PR-19362

CHECK

REVISIONS

A CD-76298

JAK
11 NOV 93

CHECK

18 MAR 92

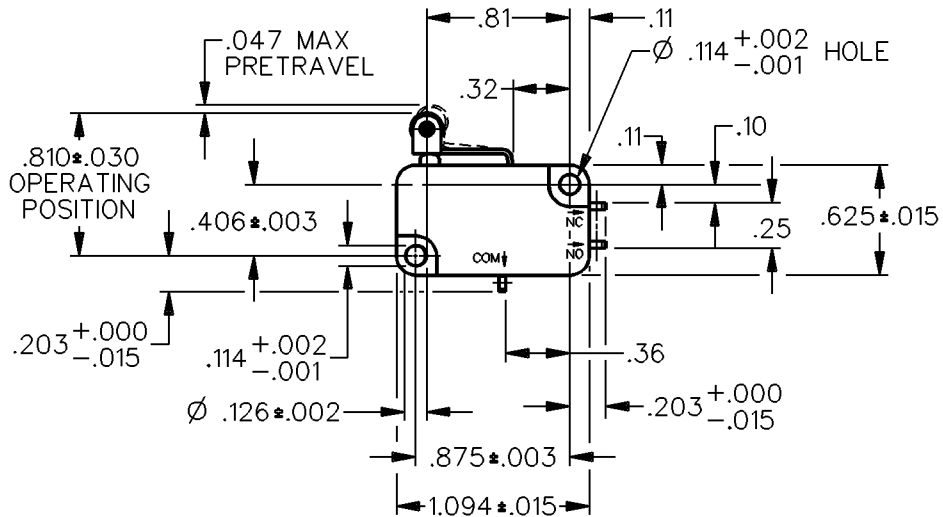
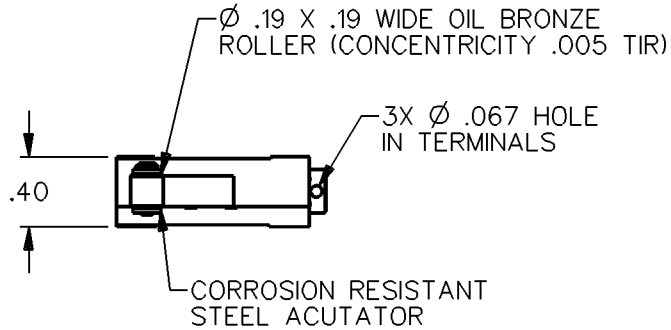
D C S

CHECK

9 MAR 92

J A L

DDM/CAD
DRAWN



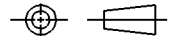
NOTES

- 1 - TERMINALS ARE SILVER PLATED FOR SOLDERING
- 2 - SWITCH MATERIAL WILL WITHSTAND TEMPERATURE OF 300°F
- 3 - HOLE IN TERMINALS MAY BREAK OUT

ANSI Y14.5M-1982 APPLIES

THIS DRAWING COVERS A PROPRIETARY ITEM AND IS THE PROPERTY OF MICRO SWITCH, A DIVISION OF HONEYWELL. THIS DRAWING IS NOT TO BE COPIED OR USED WITHOUT THE APPROVAL OF MICRO SWITCH.

THIRD ANGLE PROJECTION



CHARACTERISTICS

OPERATING FORCE --- 150 GRAMS MAX
 RELEASE FORCE --- 15 GRAMS MIN
 DIFFERENTIAL TRAVEL --- .002-.010
 OVERTRAVEL --- .040 MIN
 RELEASE TRAVEL --- .007 MIN

ELECTRICAL DATA

CONTACT ARRANGEMENT
S P D T

L83 15.1A 1/2HP 125, 250 VAC
 1/2A 125 VDC, 1/4A 250 VDC
 5A 125 VAC "L"

SCALE FULL

DO NOT SCALE PRINT

UNLESS OTHERWISE SPECIFIED TOLERANCES ARE

ONE PLACE (.0) \pm .030
 TWO PLACE (.00) \pm .015
 THREE PLACE (.000) \pm .005

ANGLES \pm

WEIGHT



X-ON Electronics

Largest Supplier of Electrical and Electronic Components

Click to view similar products for [Basic / Snap Action Switches](#) category:

Click to view products by [Honeywell](#) manufacturer:

Other Similar products are found below :

[5SM901-S12](#) [5SM9-S12N195](#) [01.098.1358.1](#) [602EN532](#) [602EN535-RB](#) [602HE5-RB1](#) [604HE162](#) [604HE223-6B](#) [624HE17-RB](#) [6HM82](#)
[6HM89](#) [6SE1](#) [6SX1-H58](#) [70500216](#) [70599106](#) [MBD5B1](#) [MBH2731](#) [73-316-0012](#) [EXD-AR20](#) [79211923](#) [79218589](#) [7AS12](#)
[MIL30126AB6BBMD4A12XAU](#) [ML-1155](#) [ML-1376](#) [831010C3.0](#) [831090C2.EL](#) [83131904](#) [84212012](#) [8AS239](#) [8HM73-3](#) [8SX26-H33](#)
[914CE1-6G](#) [PL-100](#) [11SM1077-H4](#) [11SM1077-H58](#) [11SM1-TN107](#) [11SM405](#) [11SM8423-H2](#) [11SX37-T](#) [11SX48-H58](#) [11SM2442-T](#)
[11SM76-T](#) [11SM77-H58](#) [11SM77-T](#) [11SM863-T](#) [11SM866](#) [A7CN-1M-1-LEFT](#) [A831700C7.0](#) [121EN187-R](#)