

# MICRO SWITCH

FREEPORT ILLINOIS, U. S. A  
A DIVISION OF HONEYWELL  
FED. MFG. CODE 91929

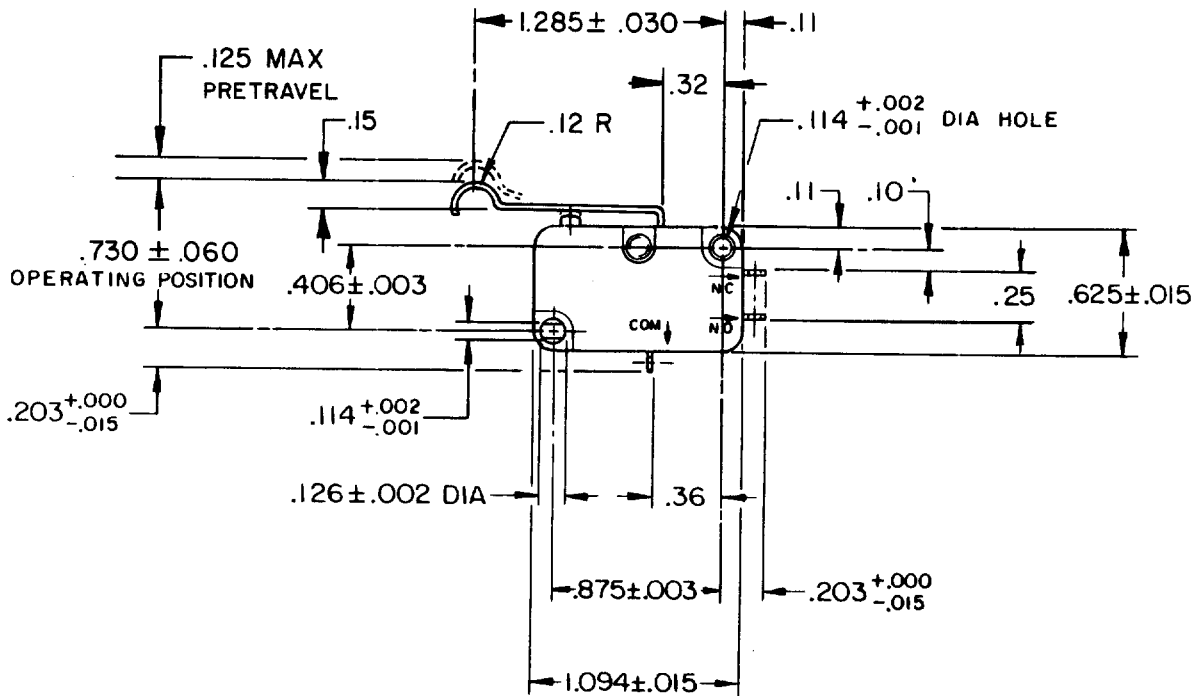
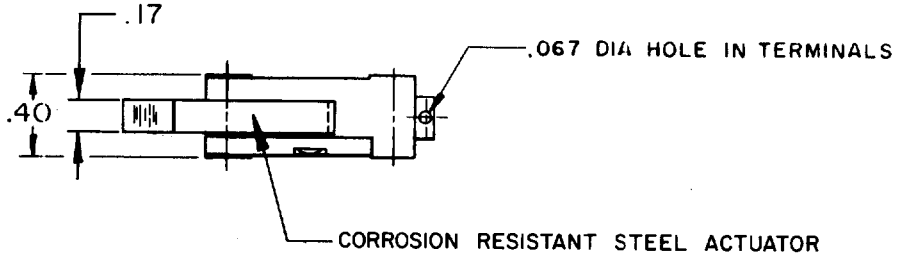
# SWITCH - BASIC

CATALOG LISTING

V3L-84

S

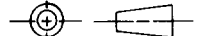
CQ-A8310



NOTE -  
I - TERMINALS ARE PLATED FOR SOLDERING

THIS DRAWING COVERS A PROPRIETARY ITEM AND IS THE PROPERTY OF MICRO SWITCH, A DIVISION OF HONEYWELL. THIS DRAWING IS NOT TO BE COPIED OR USED WITHOUT THE APPROVAL OF MICRO SWITCH.

THIRD ANGLE PROJECTION



### CHARACTERISTICS

OPERATING FORCE ----- 8 OZ MAX  
RELEASE FORCE ----- 1 OZ MIN  
DIFFERENTIAL TRAVEL ----- .032 MAX  
OVERTRAVEL ----- .080 MIN  
RELEASE TRAVEL ----- .015 MIN

### ELECTRICAL DATA

CONTACT ARRANGEMENT  
S P D T

**L83**  
15.1A 1/2HP 125 OR 250 VAC  
1/2A 125 VDC, 1/4A 250 VDC  
5A 125 VAC "L"



SCALE FULL

DO NOT SCALE PRINT

### TOLERANCES

APPLY TO DESIGN UNITS. CONVERSIONS ARE ONLY FOR REFERENCE. UNLESS NOTED, TOLERANCES ARE ±

DIM.	TOL.	DIM.	TOL.
mm	mm/in	in	mm/in
NO PLACES	X	1/04	
ONE PLACE	X,X	0.4/016	X,X 0.8/03
TWO PLACES	X,XX	0.15/006	X,XX 0.38/015
THREE PLACES	X,XXX		X,XXX 0.13/005

DESIGN UNITS

SI METRIC

US CUSTOMARY

WEIGHT

V3L-84

M

DRAWING NUMBER

8

X

ISSUE

84

REPLACES

RELEASE NO. PR-4266

CHECK

REVISIONS

A	CO 36287 SMA	1 OCT 85
B	CO- 69205 BAB	3 JAN 91
C	CO 76442 DCS	2 DEC 93

CHECK

28 AUG 74

CHECK

74

CHECK

15

AUG

74

CHECK

FO-52848-A

DRAWN

## X-ON Electronics

Largest Supplier of Electrical and Electronic Components

*Click to view similar products for [Basic / Snap Action Switches](#) category:*

*Click to view products by [Honeywell](#) manufacturer:*

Other Similar products are found below :

[5SM901-S12](#) [5SM9-S12N195](#) [01.098.1358.1](#) [602EN532](#) [602EN535-RB](#) [602HE5-RB1](#) [604HE162](#) [604HE223-6B](#) [624HE17-RB](#) [6HM82](#)  
[6HM89](#) [6SE1](#) [6SX1-H58](#) [70500216](#) [70599106](#) [MBD5B1](#) [MBH2731](#) [73-316-0012](#) [EXD-AR20](#) [79211923](#) [79218589](#) [7AS12](#)  
[MIL30126AB6BBMD4A12XAU](#) [ML-1155](#) [ML-1376](#) [831010C3.0](#) [831090C2.EL](#) [83131904](#) [84212012](#) [8AS239](#) [8HM73-3](#) [8SX26-H33](#)  
[914CE1-6G](#) [PL-100](#) [11SM1077-H4](#) [11SM1077-H58](#) [11SM1-TN107](#) [11SM405](#) [11SM8423-H2](#) [11SX37-T](#) [11SX48-H58](#) [11SM2442-T](#)  
[11SM76-T](#) [11SM77-H58](#) [11SM77-T](#) [11SM863-T](#) [11SM866](#) [A7CN-1M-1-LEFT](#) [A831700C7.0](#) [121EN187-R](#)