

CATALOG LISTING  
**WA-1RX12-A4**

ISSUE  
**M**  
13

REVISIONS  
A CO-84023  
K D R  
14 FEB 97  
B C093346  
DLT  
23 SEP 98

FORMTEK  
DRAWN  
K D R  
14 FEB 97

REPLACES

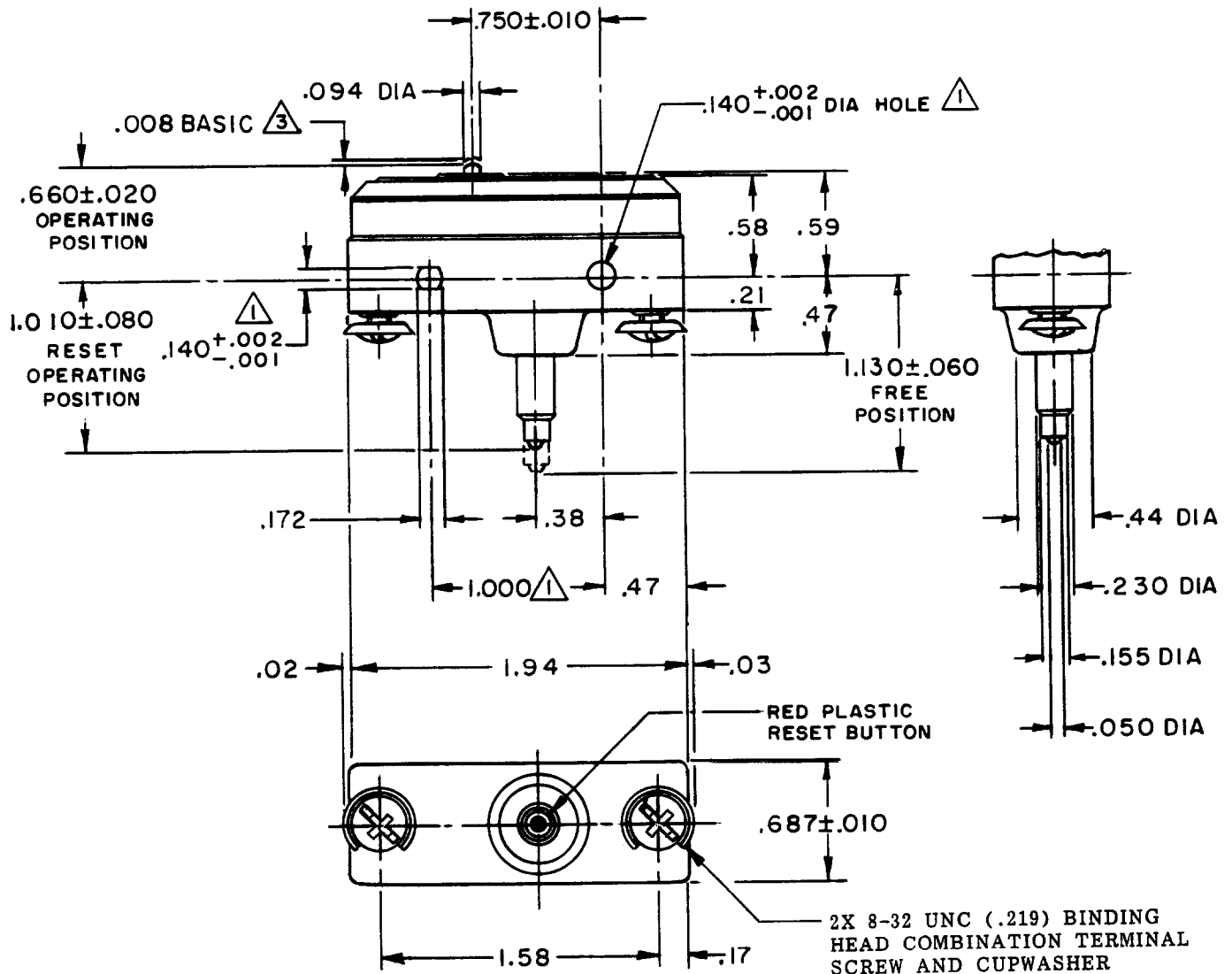
SR-11810

RELEASE NO.

CHECK

CHECK

CHECK

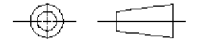


**NOTES**

- (1) MOUNTING HOLES WILL ACCEPT PINS OR SCREWS OF  $.139$  MAX DIA ON  $1.000 \pm .002$  CENTERS
- 2 - SWITCH WILL NOT RECYCLE OR ACT AS A MOMENTARY ACTION SWITCH IF PIN PLUNGER IS RELEASED WHEN RESET PLUNGER IS CONTINUALLY DEPRESSED
- (3) SWITCH MUST BE CAPABLE OF BEING RESET WHEN PIN PLUNGER IS RELEASED  $.008$  BASIC FROM OPERATING POSITION

THIS DRAWING COVERS A PROPRIETARY ITEM AND IS THE PROPERTY OF MICRO SWITCH, A DIVISION OF HONEYWELL. THIS DRAWING IS NOT TO BE COPIED OR USED WITHOUT THE APPROVAL OF MICRO SWITCH.

THIRD ANGLE PROJECTION



CHARACTERISTICS	ELECTRICAL DATA	SCALE FULL	DO NOT SCALE PRINT
OPERATING FORCE - - - - - 4-16 OZ	CONTACT ARRANGEMENT	UNLESS OTHERWISE SPECIFIED TOLERANCES ARE	
OVERTRAVEL - - - - - .010 MIN	SINGLE POLE NORM CLOSED MAINTAINED CONTACT	ONE PLACE (.0) ±.030	
RESET CHARACTERISTICS	L178	TWO PLACE (.00) ±.015	
OPERATING FORCE - - - - - 32 OZ MAX	20A 125, 250, 277 VAC	THREE PLACE (.000) ±.005	
OVERTRAVEL - - - - - .040 MIN	3/4HP 125 VAC, 1 1/2HP 250 VAC	ANGLES ±	
	L288	WEIGHT	
	L299		
	L308		
	20(3)A 250V ~ T85 5E4		

## X-ON Electronics

Largest Supplier of Electrical and Electronic Components

*Click to view similar products for [Basic / Snap Action Switches](#) category:*

*Click to view products by [Honeywell](#) manufacturer:*

Other Similar products are found below :

[5SM901-S12](#) [5SM9-S12N195](#) [602EN532](#) [602EN535-RB](#) [602HE5-RB1](#) [604HE162](#) [604HE223-6B](#) [624HE17-RB](#) [6HM82](#) [6HM89](#) [6SE1](#)  
[6SX1-H58](#) [70500216](#) [70599106](#) [71051](#) [MBH2731](#) [79211923](#) [79218589](#) [7AS12](#) [MIL30126AB6BBMD4A12XAU](#) [ML-1155](#) [ML-1376](#)  
[831010C3.0](#) [831090C2.EL](#) [83131904](#) [84212012](#) [8AS239](#) [8HM73-3](#) [8SX26-H33](#) [914CE1-6G](#) [PL-100](#) [11SM1077-H4](#) [11SM1077-H58](#)  
[11SM1-TN107](#) [11SM405](#) [11SM8423-H2](#) [11SX37-T](#) [11SX48-H58](#) [11SM2442-T](#) [11SM76-T](#) [11SM77-H58](#) [11SM863-T](#) [11SM866](#) [A7CN-](#)  
[1M-1-LEFT](#) [A831700C7.0](#) [121EN188-R](#) [1245.0120](#) [125EN56-RB](#) [D433V3RD](#) [1267.0101](#)