

MICRO SWITCH

a Honeywell Division

FED. MFG. CODE 91929

SWITCH-BASIC

CATALOG LISTING
WA-2R-A21

(M) WA-2R-A21
ISSUE 1

CATALOG LISTING
WA-2R-A21
PAGE 1 OF 1

M

ISSUE
9

REVISIONS

A	C083054	CSL	28 JUN 96
B	C092159	CSL	21 JAN 98
C	C093346	DLT	26 AUG 98

REPLACES

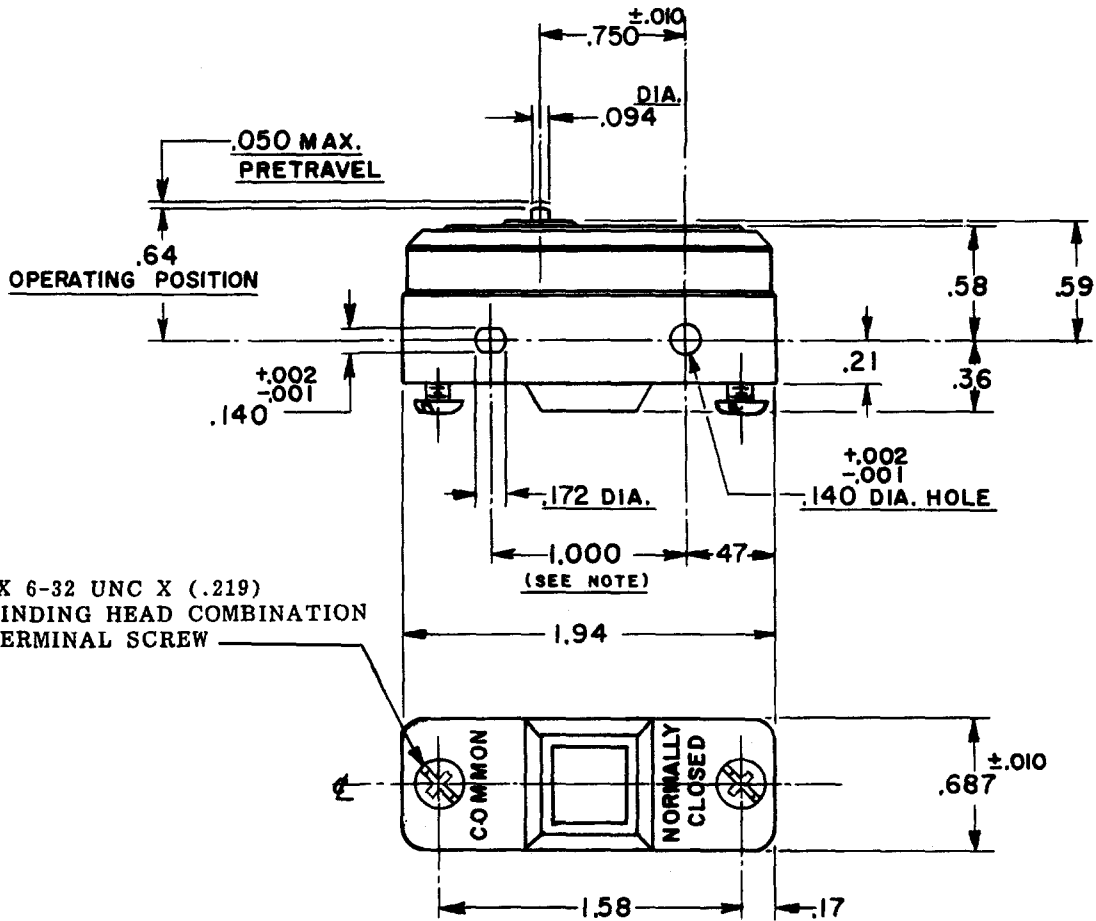
RELEASE NO.

CHECK

CHECK

CHECK

CSL 28 JUN 96

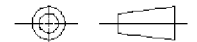


2X 6-32 UNC X (.219)
BINDING HEAD COMBINATION
TERMINAL SCREW

NOTE:
1 - MOUNTING HOLES WILL ACCEPT PINS OR SCREWS
OF .139 MAX DIA ON 1.000±.002 CENTERS.

THIS DRAWING COVERS A PROPRIETARY ITEM AND IS THE PROPERTY OF MICRO SWITCH, A DIVISION OF HONEYWELL. THIS DRAWING IS NOT TO BE COPIED OR USED WITHOUT THE APPROVAL OF MICRO SWITCH.

THIRD ANGLE PROJECTION



CHARACTERISTICS	ELECTRICAL DATA	SCALE FULL	DO NOT SCALE PRINT
		UNLESS OTHERWISE SPECIFIED TOLERANCES ARE	
OPERATING FORCE - - - - - 14-22 OZ.	CONTACT ARRANGEMENT S.P.N.C. L23 20A 125, 250 OR 480 VAC 10A 125 VAC "L" 1HP 125 VAC, 2HP 250 VAC 1/2A 125 VDC, 1/4A 250 VDC	ONE PLACE (.0)	±.030
RELEASE FORCE - - - - - 10 MIN.		TWO PLACE (.00)	±.015
DIFFERENTIAL TRAVEL - - -.002 -.0075	L288 L299 L308	THREE PLACE (.000)	±.005
OVERTRAVEL - - - - - .010 MIN.	CE D RU	ANGLES	±
	20(3)A 250V ~ T85 5E4	WEIGHT .063 LB.	

FORMTEK
DRAWN

X-ON Electronics

Largest Supplier of Electrical and Electronic Components

Click to view similar products for [Basic / Snap Action Switches](#) category:

Click to view products by [Honeywell](#) manufacturer:

Other Similar products are found below :

[5SM901-S12](#) [5SM9-S12N195](#) [602EN532](#) [602EN535-RB](#) [602HE5-RB1](#) [604HE162](#) [604HE223-6B](#) [624HE17-RB](#) [6HM82](#) [6HM89](#) [6SE1](#)
[6SX1-H58](#) [70500216](#) [70599106](#) [71051](#) [MBH2731](#) [79211923](#) [79218589](#) [7AS12](#) [MIL30126AB6BBMD4A12XAU](#) [ML-1155](#) [ML-1376](#)
[831010C3.0](#) [831090C2.EL](#) [83131904](#) [84212012](#) [8AS239](#) [8HM73-3](#) [8SX26-H33](#) [914CE1-6G](#) [PL-100](#) [11SM1077-H4](#) [11SM1077-H58](#)
[11SM1-TN107](#) [11SM405](#) [11SM8423-H2](#) [11SX37-T](#) [11SX48-H58](#) [11SM2442-T](#) [11SM76-T](#) [11SM77-H58](#) [11SM863-T](#) [11SM866](#) [A7CN-](#)
[1M-1-LEFT](#) [A831700C7.0](#) [121EN188-R](#) [1245.0120](#) [125EN56-RB](#) [D433V3RD](#) [1267.0101](#)