

MICRO SWITCH

FREERPORT ILLINOIS, U.S.A
A DIVISION OF HONEYWELL

FED. MFG. CODE 91929

SWITCH - BASIC

CATALOG LISTING

WA-2RV178-A2

WA-2RV178-A2

PAGE 1 OF 1

REPLACES

RELEASE NO. CO-34312

M

DRAWING NUMBER

5

ISSUE

REVISIONS

A	CO-73287-J	JAL	22 NOV 93
B	CO-77591	DAW	22 JUN 94
C	CO-79125	SAD	30 NOV 94
D	CO93346	DLT	27 AUG 98

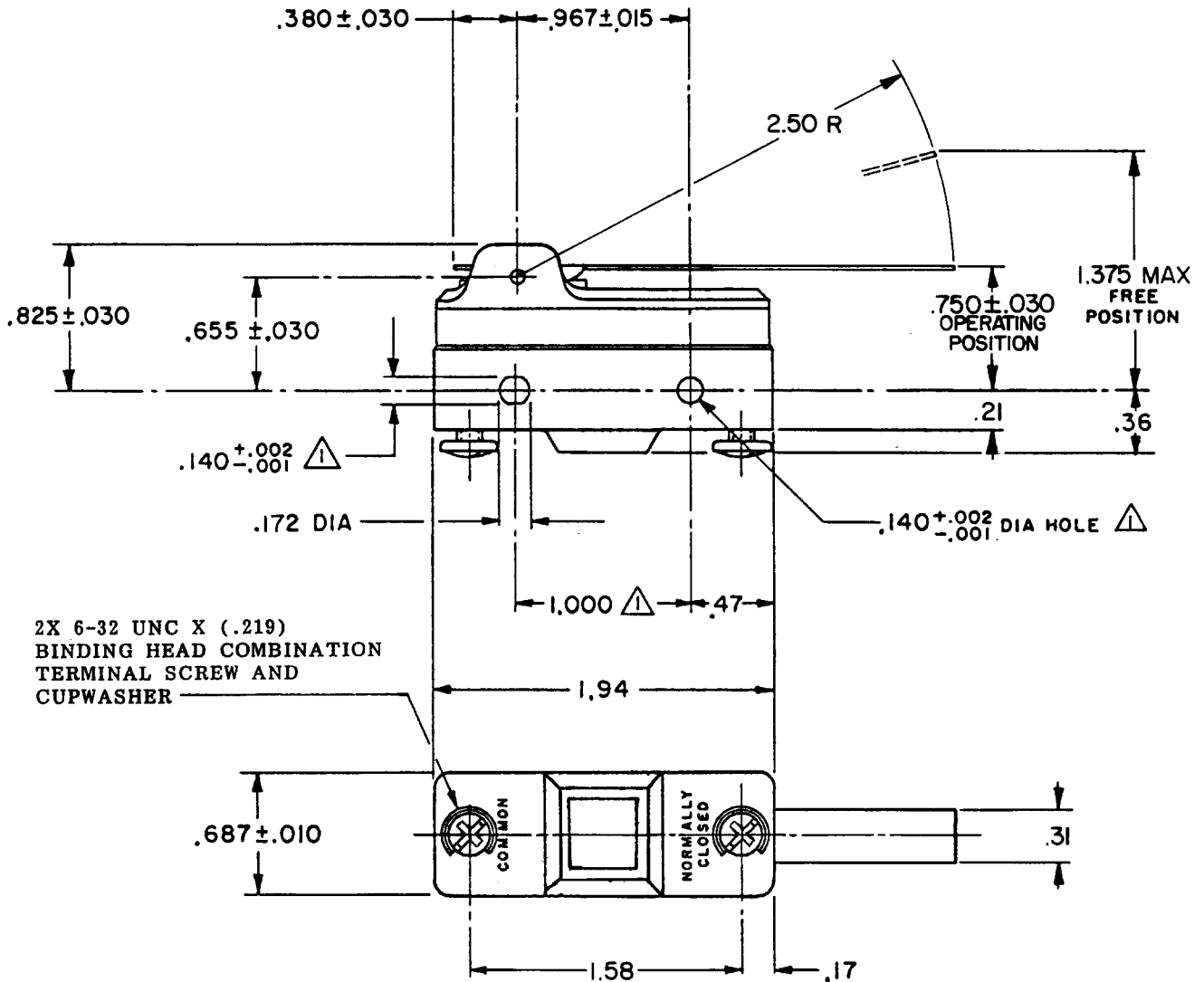
CHECK

CHECK

75 CHECK

28 APR 75

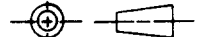
75 CHECK



NOTE
 - MOUNTING HOLES WILL ACCEPT PINS OR SCREWS OF .139 MAX DIA ON 1.000 ± .002 CENTERS

THIS DRAWING COVERS A PROPRIETARY ITEM AND IS THE PROPERTY OF MICRO SWITCH, A DIVISION OF HONEYWELL. THIS DRAWING IS NOT TO BE COPIED OR USED WITHOUT THE APPROVAL OF MICRO SWITCH.

THIRD ANGLE PROJECTION



CHARACTERISTICS

OPERATING FORCE ——— 2 1/2 OZ MAX
 RELEASE FORCE ——— 1/2 OZ MIN
 PRETRAVEL ——— .625 MAX
 DIFFERENTIAL TRAVEL ——— .109 MAX
 OVERTRAVEL ——— .078 MIN

ELECTRICAL DATA

CONTACT ARRANGEMENT
 S P N C

UL LISTED - FILE E12252
 20A-125, 250 OR 480 VAC; 10A-125 VAC "L"
 1HP-125 VAC; 2HP-250 VAC
 CODE L23 1/2A-125 VDC; 1/4A-250 VDC

L288
 L299
 L308



20(3)A 250V ~ T85 5E4

SCALE FULL

DO NOT SCALE PRINT

TOLERANCES
 APPLY TO DESIGN UNITS. CONVERSIONS ARE ONLY FOR REFERENCE. UNLESS NOTED, TOLERANCES ARE ±

DIM.	TOL.	DIM.	TOL.
mm	mm/in	in	mm/in
NO PLACES	X	1/04	X X
ONE PLACE	X,X	0,4/016	X X
TWO PLACES	X,XX	0,15/006	X,XX
THREE PLACES	X,XXX	0,13/005	X,XXX

DESIGN UNITS SI METRIC US CUSTOMARY

WEIGHT

FORMTEK

FO-52848-A

DRAWN

K P K124 APR 75

X-ON Electronics

Largest Supplier of Electrical and Electronic Components

Click to view similar products for [Basic / Snap Action Switches](#) category:

Click to view products by [Honeywell](#) manufacturer:

Other Similar products are found below :

[5SM901-S12](#) [5SM9-S12N195](#) [01.098.1358.1](#) [602EN532](#) [602EN535-RB](#) [602HE5-RB1](#) [604HE162](#) [604HE223-6B](#) [624HE17-RB](#) [6HM82](#)
[6HM89](#) [6SE1](#) [6SX1-H58](#) [70500216](#) [70599106](#) [MBD5B1](#) [MBH2731](#) [73-316-0012](#) [EXD-AR20](#) [79211923](#) [79218589](#) [7AS12](#)
[MIL30126AB6BBMD4A12XAU](#) [ML-1155](#) [ML-1376](#) [831010C3.0](#) [831090C2.EL](#) [83131904](#) [84212012](#) [8AS239](#) [8HM73-3](#) [8SX26-H33](#)
[914CE1-6G](#) [PL-100](#) [11SM1077-H4](#) [11SM1077-H58](#) [11SM1-TN107](#) [11SM405](#) [11SM8423-H2](#) [11SX37-T](#) [11SX48-H58](#) [11SM2442-T](#)
[11SM76-T](#) [11SM77-H58](#) [11SM77-T](#) [11SM863-T](#) [11SM866](#) [A7CN-1M-1-LEFT](#) [A831700C7.0](#) [121EN187-R](#)