

MICRO SWITCH

FREEPORT ILLINOIS, U.S.A
A DIVISION OF HONEYWELL
FED. MFG. CODE 91929

SWITCH - BASIC

CATALOG LISTING

WM-1RW82294T

WM-1RW82294T

M

DRAWING NUMBER

8

ISSUE

REPLACES X74644-WM

RELEASE NO. PR-11142

CHECK

REVISIONS

A	C080986	JALA	26 JUN 95
B	0035411	JA	23NOV07

ASD

CHECK

MAY 82

CHECK

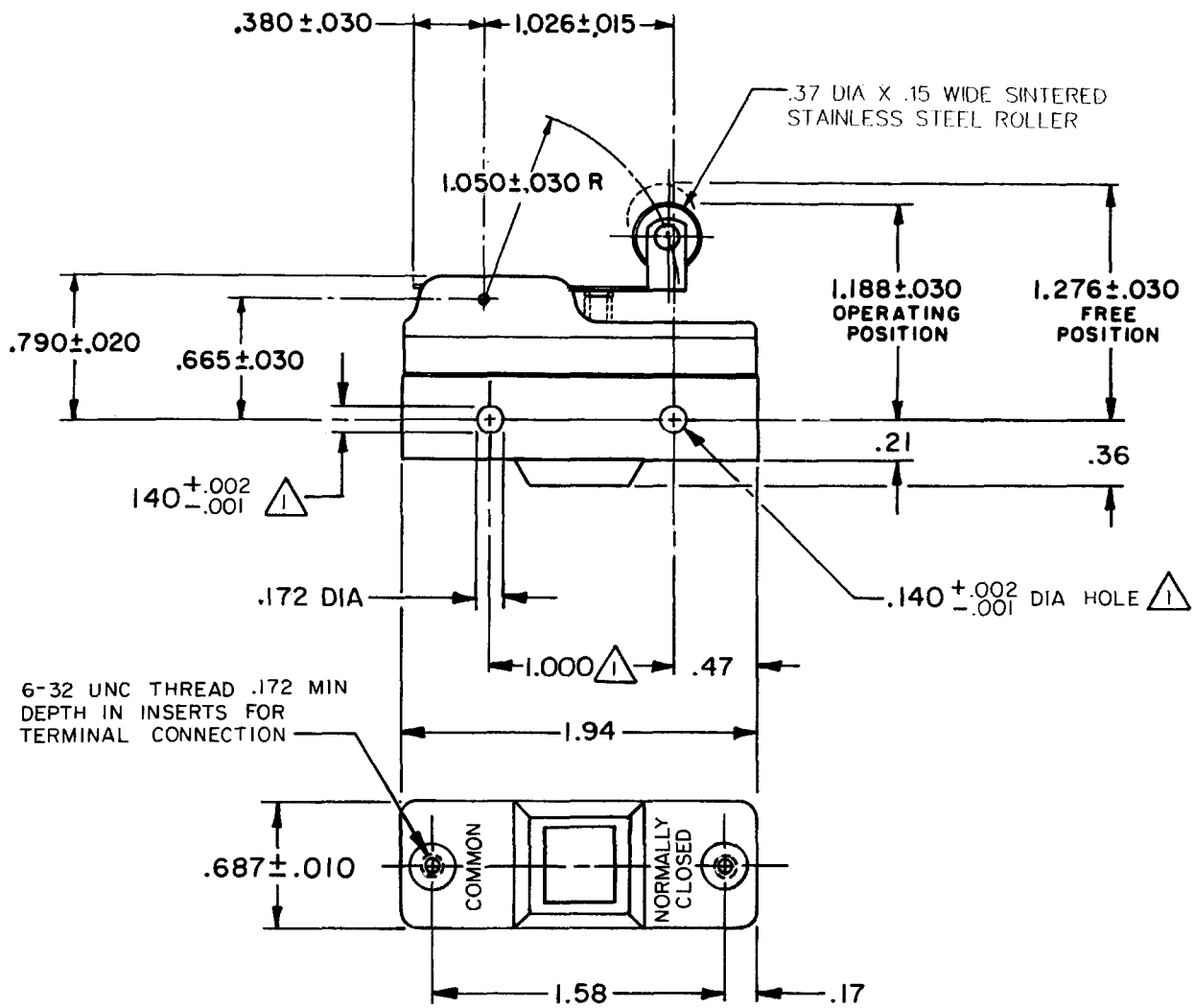
CHECK

CHECK

30 APR 82

WJM

RASTER



- NOTES
- 1 MOUNTING HOLES WILL ACCEPT PINS OR SCREWS OF .139 MAX DIA ON 1.000 ± .002 CENTERS
 - 2 - TERMINAL SCREW (2) FURNISHED UNASSEMBLED

THIS DRAWING COVERS A PROPRIETARY ITEM AND IS THE PROPERTY OF MICRO SWITCH, A DIVISION OF HONEYWELL. THIS DRAWING IS NOT TO BE COPIED OR USED WITHOUT THE APPROVAL OF MICRO SWITCH.

THIRD ANGLE PROJECTION

CHARACTERISTICS

OPERATING FORCE ---- 5 3/4 OZ MAX
RELEASE FORCE ----- 1 1/2 OZ MIN
DIFFERENTIAL TRAVEL ---- .001 - .013
OVERTRAVEL ----- .094 MIN

ELECTRICAL DATA

CONTACT ARRANGEMENT
S P N C
UL LISTED - FILE E12252
CODE L161 22A-125, 250, 480VAC
1/2HP-125VAC; 1HP-250VAC

L288
L315
L318



22A 250V ~ T85 5E4

SCALE FULL

DO NOT SCALE PRINT

TOLERANCES

APPLY TO DESIGN UNITS. CONVERSIONS ARE ONLY FOR REFERENCE. UNLESS NOTED, TOLERANCES ARE ±

DIM.	TOL.	DIM.	TOL.
mm	mm/in	in	mm/in
NO PLACES	X	1/.04	
ONE PLACE	X,X	0.4/.016	X,X 0.8/.03
TWO PLACES	X,XX	0.16/.006	X,XX 0.38/.015
THREE PLACES	X,XXX		X,XXX 0.13/.005

DESIGN UNITS SI METRIC US CUSTOMARY

WEIGHT .076 LB

X-ON Electronics

Largest Supplier of Electrical and Electronic Components

Click to view similar products for [Basic / Snap Action Switches](#) category:

Click to view products by [Honeywell](#) manufacturer:

Other Similar products are found below :

[5SM901-S12](#) [5SM9-S12N195](#) [602EN532](#) [602EN535-RB](#) [602HE5-RB1](#) [604HE162](#) [604HE223-6B](#) [624HE17-RB](#) [6HM82](#) [6HM89](#) [6SE1](#)
[6SX1-H58](#) [70500216](#) [70599106](#) [MBD5B1](#) [MBH2731](#) [73-316-0012](#) [EXD-AR20](#) [79211923](#) [79218589](#) [7AS12](#)
[MIL30126AB6BBMD4A12XAU](#) [ML-1155](#) [ML-1376](#) [831010C3.0](#) [831090C2.EL](#) [83131904](#) [84212012](#) [8AS239](#) [8HM73-3](#) [8SX26-H33](#)
[914CE1-6G](#) [PL-100](#) [11SM1077-H4](#) [11SM1077-H58](#) [11SM1-TN107](#) [11SM405](#) [11SM8423-H2](#) [11SX37-T](#) [11SX48-H58](#) [11SM2442-T](#)
[11SM76-T](#) [11SM77-H58](#) [11SM77-T](#) [11SM863-T](#) [11SM866](#) [A7CN-1M-1-LEFT](#) [A831700C7.0](#) [121EN187-R](#) [121EN188-R](#)