



**MICRO SWITCH**

FREEPORT, ILLINOIS, U.S.A.  
A DIVISION OF HONEYWELL

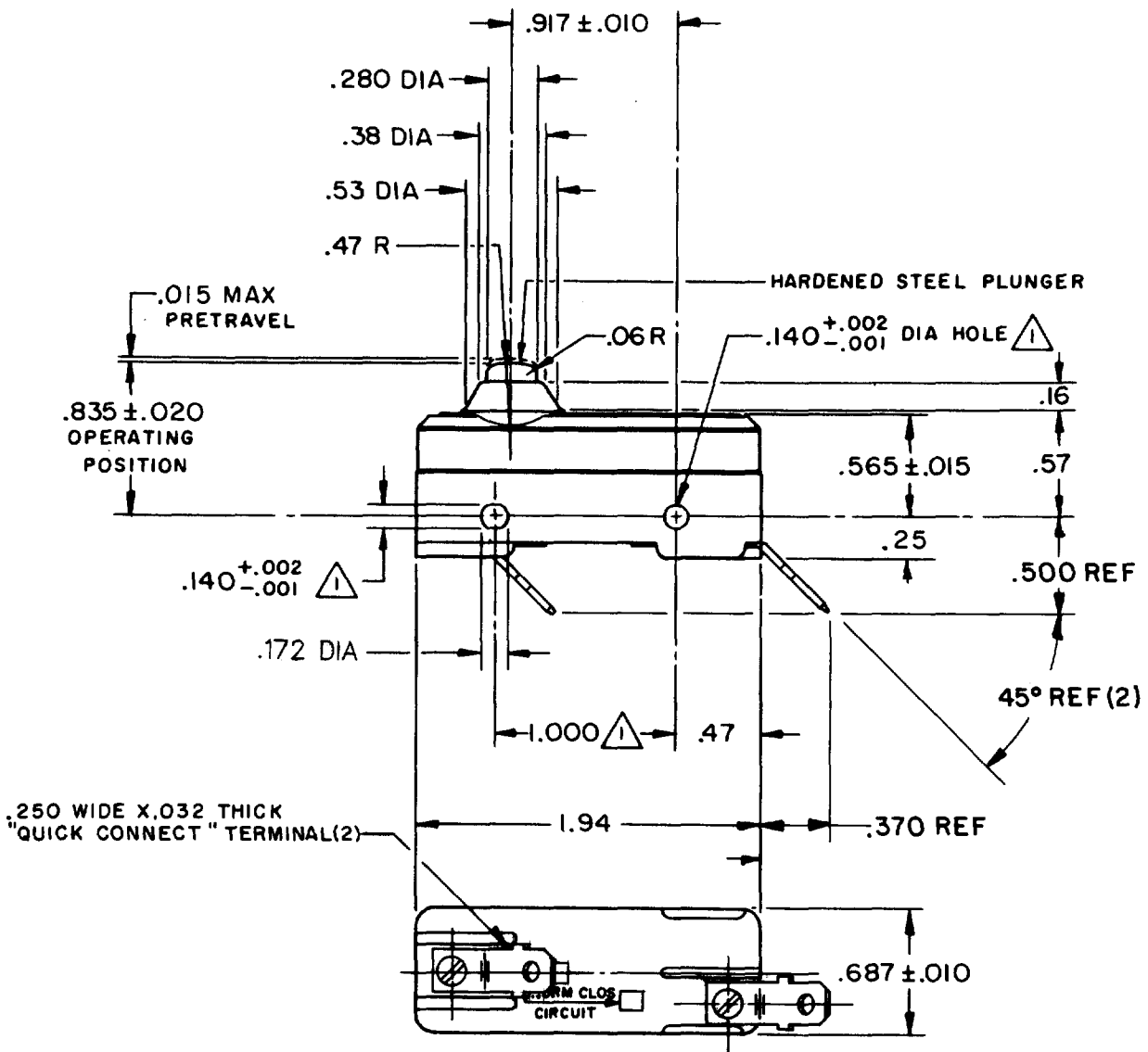
FED. MFG. CODE 91929

# SWITCH-BASIC

CATALOG LISTING

## WZ-2RD19-D1

WZ-2RD19-D1  
PAGE 1 OF 1  
RELEASE NO. M  
DRAWING NUMBER  
ISSUE 7  
CHECK  
REVISIONS  
A CO15200  
M B F 4 FEB 66  
B CO 63526  
D C S 18 JUN 88  
C CO 77589  
Y S M 29 MAR 94  
D CO93346  
D L T 4 SEP 98  
CHECK  
LSD 14 FEB 66  
FORMTEK  
FO-50378  
DRAWN  
M B F 4 FEB 66  
CHECK  
REPLACES



NOTE  
 MOUNTING HOLES WILL ACCEPT PINS OR SCREWS  
 OF .139 MAX DIA ON 1.000 ± .002 CENTERS

THIS DRAWING COVERS A PROPRIETARY ITEM AND IS THE PROPERTY OF MICRO SWITCH, A DIVISION OF HONEYWELL. THIS DRAWING IS NOT TO BE COPIED OR USED WITHOUT THE APPROVAL OF MICRO SWITCH.

### CHARACTERISTICS

OPERATING FORCE — — — — 9-13 OZ  
 RELEASE FORCE — — — — 4 OZ MIN  
 DIFFERENTIAL TRAVEL — — .0004-.0020  
 OVERTRAVEL — — — — .060 MIN

### ELECTRICAL DATA

CONTACT ARRANGEMENT  
S P N C  
 UL LISTED - FILE E12252  
 CODE L88 15A-125, 250 OR 480 VAC  
 1/3HP-125 OR 250 VAC  
 1/2A-125 VDC; 1/4A-250 VDC  
 L288  
 L299  
 L306  
 16A 250V ~ T85 5E4

SCALE FULL

DO NOT SCALE PRINT

UNLESS OTHERWISE NOTED  
 DIMENSIONS ARE IN INCHES  
**TOLERANCES ARE:**  
 ONE PLACE (.0) ± .030  
 TWO PLACE (.00) ± .015  
 THREE PLACE (.000) ± .005  
 ANGLES ±

WEIGHT .056 LB

## X-ON Electronics

Largest Supplier of Electrical and Electronic Components

*Click to view similar products for [Basic / Snap Action Switches](#) category:*

*Click to view products by [Honeywell](#) manufacturer:*

Other Similar products are found below :

[5SM901-S12](#) [5SM9-S12N195](#) [01.098.1358.1](#) [602EN532](#) [602EN535-RB](#) [602HE5-RB1](#) [604HE162](#) [604HE223-6B](#) [624HE17-RB](#) [6HM82](#)  
[6HM89](#) [6SE1](#) [6SX1-H58](#) [70500216](#) [70599106](#) [MBD5B1](#) [MBH2731](#) [73-316-0012](#) [EXD-AR20](#) [79211923](#) [79218589](#) [7AS12](#)  
[MIL30126AB6BBMD4A12XAU](#) [ML-1155](#) [ML-1376](#) [831010C3.0](#) [831090C2.EL](#) [83131904](#) [84212012](#) [8AS239](#) [8HM73-3](#) [8SX26-H33](#)  
[914CE1-6G](#) [PL-100](#) [11SM1077-H4](#) [11SM1077-H58](#) [11SM1-TN107](#) [11SM405](#) [11SM8423-H2](#) [11SX37-T](#) [11SX48-H58](#) [11SM2442-T](#)  
[11SM76-T](#) [11SM77-H58](#) [11SM77-T](#) [11SM863-T](#) [11SM866](#) [A7CN-1M-1-LEFT](#) [A831700C7.0](#) [121EN187-R](#)