

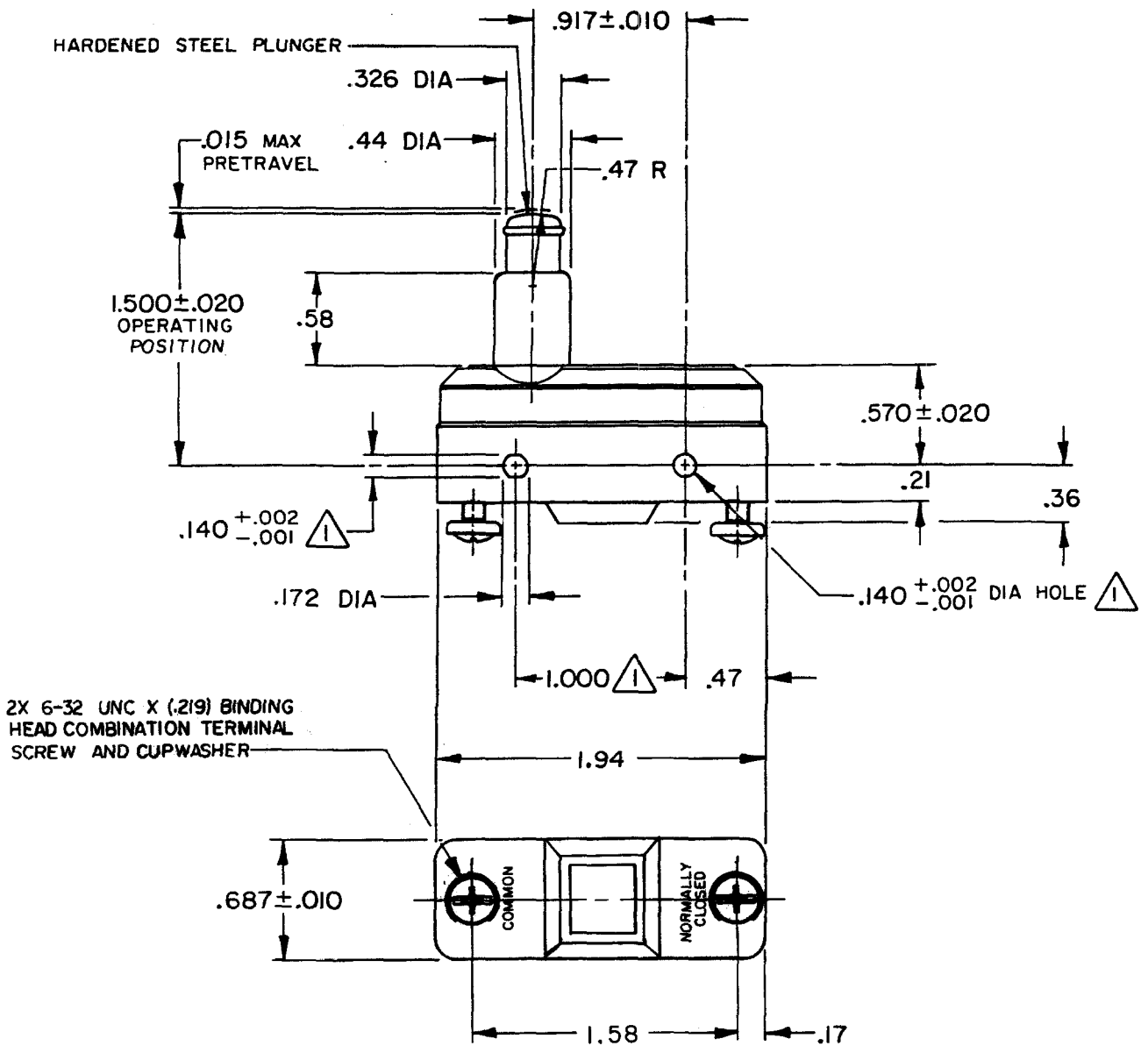
# MICRO SWITCH

FREEPORT ILLINOIS, U.S.A  
A DIVISION OF HONEYWELL  
FED. MFG. CODE 91929

# SWITCH - BASIC

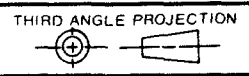
CATALOG LISTING  
**WZ-2RQ15-A2**

**WZ-2RQ15-A2**  
 PAGE 1 OF 1  
**M**  
 DRAWING NUMBER  
**5**  
 ISSUE  
 REVISIONS  
**A** CO-73287-B DHD 19 MAY 93  
**B** CO-77591 DAW 22 JUN 94  
**C** CO-79125 SAD 30 NOV 94  
**D** CO93346 DLT 17 AUG 98  
 FORMTEK  
 FO-52848-A  
 DRAWN  
 K A G 3 NOV 82 CHECK G L H ANOV B Z  
 RELEASE NO. PR-11643 REPLACES  
 CHECK  
 CHECK  
 CHECK



**NOTE**  
 1 MOUNTING HOLES WILL ACCEPT PINS OR SCREWS OF .139 MAX DIA ON 1.000±.002 CENTERS

THIS DRAWING COVERS A PROPRIETARY ITEM AND IS THE PROPERTY OF MICRO SWITCH, A DIVISION OF HONEYWELL. THIS DRAWING IS NOT TO BE COPIED OR USED WITHOUT THE APPROVAL OF MICRO SWITCH.



<b>CHARACTERISTICS</b>	<b>ELECTRICAL DATA</b>	SCALE FULL																												
		DO NOT SCALE PRINT																												
OPERATING FORCE ----- 9-13 OZ	CONTACT ARRANGEMENT S P N C	<b>TOLERANCES</b> APPLY TO DESIGN UNITS. CONVERSIONS ARE ONLY FOR REFERENCE. UNLESS NOTED, TOLERANCES ARE X																												
RELEASE FORCE ----- 4 OZ MIN	-L9- 10A-125, <u>250</u> , OR 480 VAC 1/2A - 125 VDC; 1/4A - 250 VDC	<table border="1"> <thead> <tr> <th>DIM.</th> <th>TOL.</th> <th>DIM.</th> <th>TOL.</th> </tr> <tr> <th>mm</th> <th>mm/in</th> <th>in</th> <th>mm/in</th> </tr> </thead> <tbody> <tr> <td>NO PLACES</td> <td>X</td> <td>1/04</td> <td></td> </tr> <tr> <td>ONE PLACE</td> <td>X,X</td> <td>0.41/018</td> <td>X,X</td> </tr> <tr> <td>TWO PLACES</td> <td>X,XX</td> <td>0.157/008</td> <td>X,XX</td> </tr> <tr> <td>THREE PLACES</td> <td>X,XXX</td> <td></td> <td>X,XXX</td> </tr> <tr> <td>ANGLES</td> <td></td> <td></td> <td></td> </tr> </tbody> </table>	DIM.	TOL.	DIM.	TOL.	mm	mm/in	in	mm/in	NO PLACES	X	1/04		ONE PLACE	X,X	0.41/018	X,X	TWO PLACES	X,XX	0.157/008	X,XX	THREE PLACES	X,XXX		X,XXX	ANGLES			
DIM.	TOL.	DIM.	TOL.																											
mm	mm/in	in	mm/in																											
NO PLACES	X	1/04																												
ONE PLACE	X,X	0.41/018	X,X																											
TWO PLACES	X,XX	0.157/008	X,XX																											
THREE PLACES	X,XXX		X,XXX																											
ANGLES																														
DIFFERENTIAL TRAVEL---.0004 - .0020	-L288- 	DESIGN UNITS <input type="checkbox"/> SI METRIC <input type="checkbox"/> US CUSTOMARY <input checked="" type="checkbox"/>																												
OVERTRAVEL-----.219 MIN		WEIGHT .086 LB																												

## X-ON Electronics

Largest Supplier of Electrical and Electronic Components

*Click to view similar products for [Basic / Snap Action Switches](#) category:*

*Click to view products by [Honeywell](#) manufacturer:*

Other Similar products are found below :

[5SM901-S12](#) [5SM9-S12N195](#) [602EN532](#) [602EN535-RB](#) [602HE5-RB1](#) [604HE162](#) [604HE223-6B](#) [624HE17-RB](#) [6HM82](#) [6HM89](#) [6SE1](#)  
[6SX1-H58](#) [70500216](#) [70599106](#) [71051](#) [MBH2731](#) [79211923](#) [79218589](#) [MIL30126AB6BBMD4A12XAU](#) [ML-1155](#) [ML-1376](#) [831010C3.0](#)  
[831090C2.EL](#) [83131904](#) [84212012](#) [8AS239](#) [8HM73-3](#) [8SX26-H33](#) [914CE1-6G](#) [PL-100](#) [11SM1077-H4](#) [11SM1077-H58](#) [11SM1-TN107](#)  
[11SM405](#) [11SM8423-H2](#) [11SX37-T](#) [11SX48-H58](#) [11SM2442-T](#) [11SM76-T](#) [11SM77-H58](#) [11SM863-T](#) [11SM866](#) [A7CN-1M-1-LEFT](#)  
[A831700C7.0](#) [121EN188-R](#) [1245.0120](#) [125EN56-RB](#) [D433V3RD](#) [1267.0101](#) [1267.7101](#)