



**MICRO SWITCH**  
 FREEPORT ILLINOIS  
 A DIVISION OF HONEYWELL  
 FED. MFG. CODE 91929

# SWITCH-BASIC

CATALOG LISTING  
**WZ-R141**

CATALOG LISTING  
**WZ-R141**

**M**

ISSUE  
**7**

**REVISIONS**

A	C080986
	JALA 26 JUN 95
B	203155
	C.S.L. 25 MAY 01

REPLACES

SR10752

RELEASE NO.

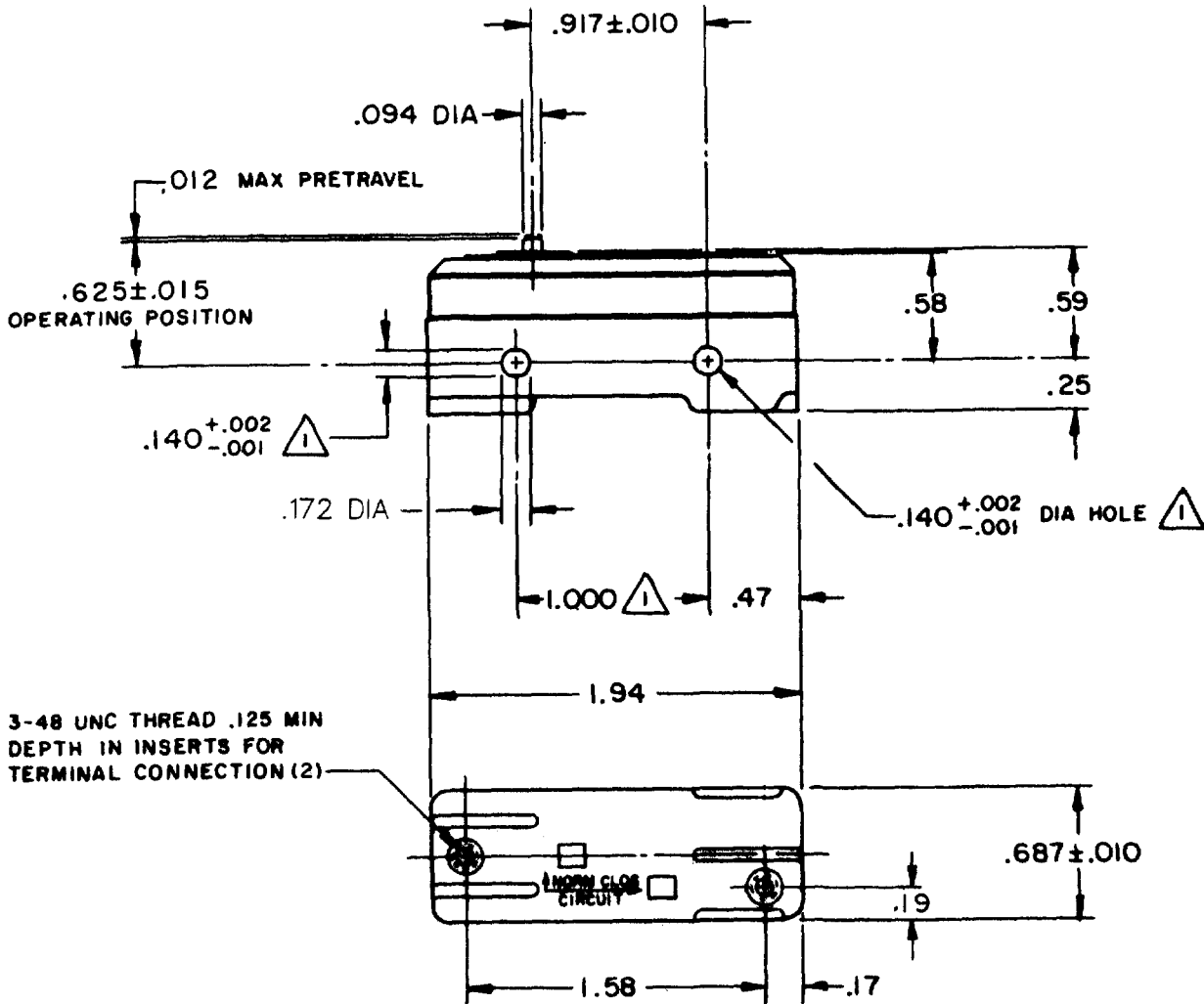
CHECK

CHECK

31 JAN 63

GCH

31 JAN 63



**NOTE**  
 MOUNTING HOLES WILL ACCEPT PINS OR SCREWS  
 OF .139 MAX DIA ON 1.000 ± .002 CENTERS  
 2 - 3-48 UNC X .125 REF TERMINAL SCREW FURNISHED UNASSEMBLED (2)

THIS DRAWING COVERS A PROPRIETARY ITEM AND IS THE PROPERTY OF MICRO SWITCH, A DIVISION OF MINNEAPOLIS-HONEYWELL REGULATOR CO. THIS DRAWING IS NOT TO BE COPIED OR USED WITHOUT THE APPROVAL OF MICRO SWITCH.

**CHARACTERISTICS**

OPERATING FORCE — — — — 7 - 9 OZ  
 RELEASE FORCE — — — — 4 OZ MIN  
 DIFFERENTIAL TRAVEL — .0003 - .0006  
 OVERTRAVEL — — — — .005 MIN

**ELECTRICAL DATA**

CONTACT ARRANGEMENT  
 S P N C

L103 15A 125, 250 OR 480 VAC  
 1/8HP 125 VAC, 1/4HP 250 VAC

L288  
 L299  
 L306

16A 250V T85 5E4

**SCALE FULL**

DO NOT SCALE PRINT

UNLESS OTHERWISE SPECIFIED  
 DIMENSIONS ARE IN INCHES  
**TOLERANCES ARE:**

ONE PLACE (.0)	±.030
TWO PLACE (.00)	±.015
THREE PLACE (.000)	±.005
ANGLES	±

WEIGHT .050 LB

RASTER

DRAWN

MBF



**MICRO SWITCH**  
 FREEPORT ILLINOIS  
 A DIVISION OF HONEYWELL  
 FED. MFG. CODE 91929

# SWITCH-BASIC

CATALOG LISTING  
**WZ-R141**

WZ-R141

M

DRAWING NUMBER

6

ISSUE

REVISIONS

A	C080986
	JALA
	26 JUN 95

REPLACES

SR10752

RELEASE NO.

CHECK

CHECK

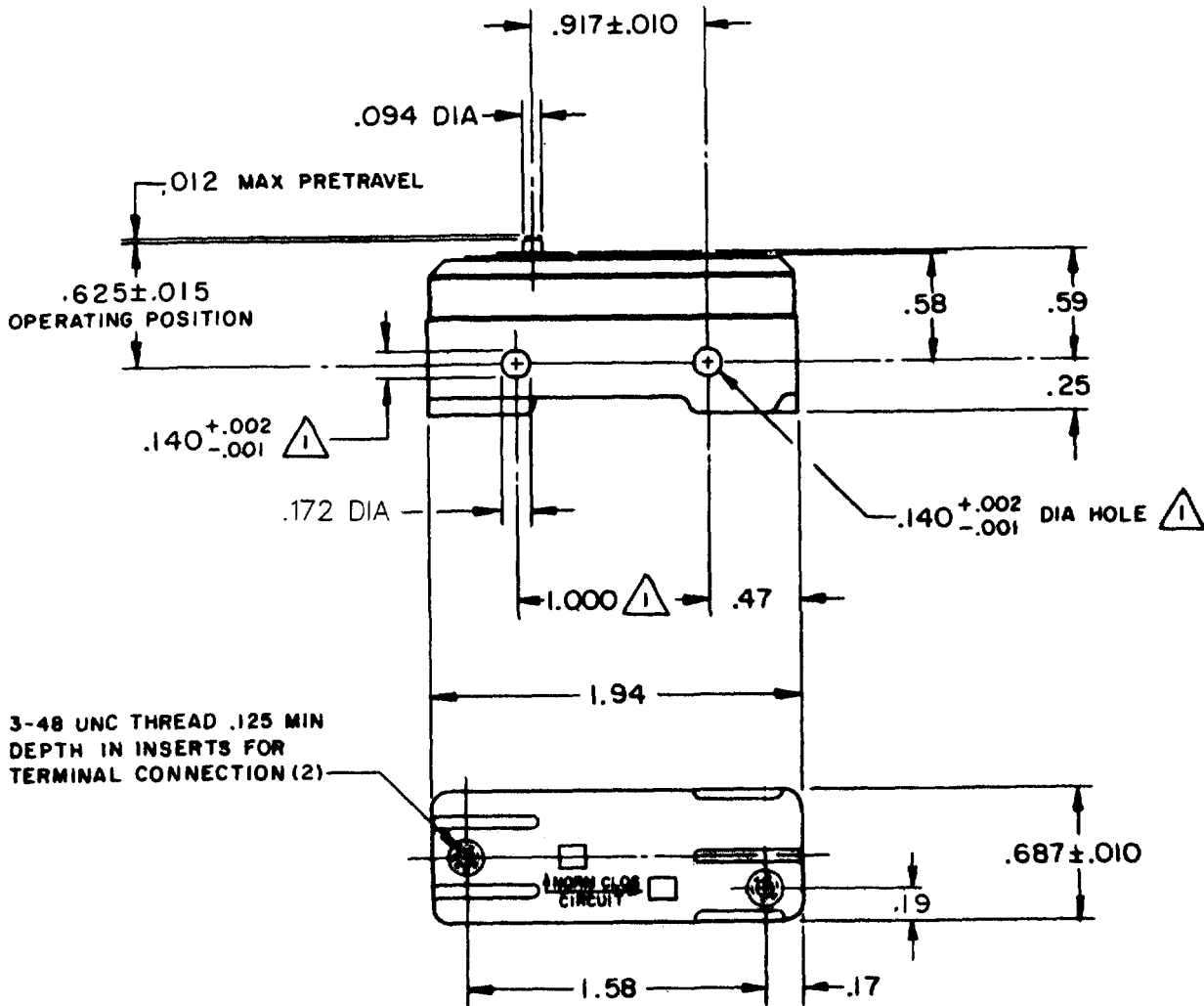
31 JAN 63

GCH

CHECK

31 JAN 63


MBF



3-48 UNC THREAD .125 MIN DEPTH IN INSERTS FOR TERMINAL CONNECTION (2)

**NOTE**  
 MOUNTING HOLES WILL ACCEPT PINS OR SCREWS OF .139 MAX DIA ON 1.000±.002 CENTERS  
 2 - 3-48 UNC X .125 REF TERMINAL SCREW FURNISHED UNASSEMBLED (2)

THIS DRAWING COVERS A PROPRIETARY ITEM AND IS THE PROPERTY OF MICRO SWITCH, A DIVISION OF MINNEAPOLIS-HONEYWELL REGULATOR CO. THIS DRAWING IS NOT TO BE COPIED OR USED WITHOUT THE APPROVAL OF MICRO SWITCH.

CHARACTERISTICS	ELECTRICAL DATA	SCALE FULL
OPERATING FORCE — — — — 7 - 9 OZ	CONTACT ARRANGEMENT S P N C	DO NOT SCALE PRINT
RELEASE FORCE — — — — 4 OZ MIN	UNDERWRITERS' LAB. INC. LISTED RATING -L103- 15 A-125, 250 OR 480 VAC 1/8 HP-125 VAC; 1/4 HP-250 VAC 	UNLESS OTHERWISE SPECIFIED DIMENSIONS ARE IN INCHES
DIFFERENTIAL TRAVEL — .0003 — .0006		TOLERANCES ARE:
OVERTRAVEL — — — — .005 MIN		ONE PLACE (.0) ±.030 TWO PLACE (.00) ±.015 THREE PLACE (.000) ±.008 ANGLES ±
		WEIGHT .050 LB

FORMTEK

DRAWN

## X-ON Electronics

Largest Supplier of Electrical and Electronic Components

*Click to view similar products for [Basic / Snap Action Switches](#) category:*

*Click to view products by [Honeywell](#) manufacturer:*

Other Similar products are found below :

[5SM901-S12](#) [5SM9-S12N195](#) [01.098.1358.1](#) [602EN532](#) [602EN535-RB](#) [602HE5-RB1](#) [604HE162](#) [604HE223-6B](#) [624HE17-RB](#) [6HM82](#)  
[6HM89](#) [6SE1](#) [6SX1-H58](#) [70500216](#) [70599106](#) [MBD5B1](#) [MBH2731](#) [73-316-0012](#) [EXD-AR20](#) [79211923](#) [79218589](#) [7AS12](#)  
[MIL30126AB6BBMD4A12XAU](#) [ML-1155](#) [ML-1376](#) [831010C3.0](#) [831090C2.EL](#) [83131904](#) [84212012](#) [8AS239](#) [8HM73-3](#) [8SX26-H33](#)  
[914CE1-6G](#) [PL-100](#) [11SM1077-H4](#) [11SM1077-H58](#) [11SM1-TN107](#) [11SM405](#) [11SM8423-H2](#) [11SX37-T](#) [11SX48-H58](#) [11SM2442-T](#)  
[11SM76-T](#) [11SM77-H58](#) [11SM77-T](#) [11SM863-T](#) [11SM866](#) [A7CN-1M-1-LEFT](#) [A831700C7.0](#) [121EN187-R](#)