

MICRO SWITCH

FREERPORT ILLINOIS, U.S.A
A DIVISION OF HONEYWELL
FED. MFG. CODE 91929

SWITCH-BASIC

CATALOG LISTING

WZ - R296 - A2

WZ-R296-A2

M

DRAWING NUMBER

XZ

ISSUE 4

REPLACES X77806-WZ

RELEASE NO. PR-12892

CHECK

CHECK

CHECK

CHECK

CHECK

CHECK

CHECK

CHECK

CHECK

CHECK

CHECK

CHECK

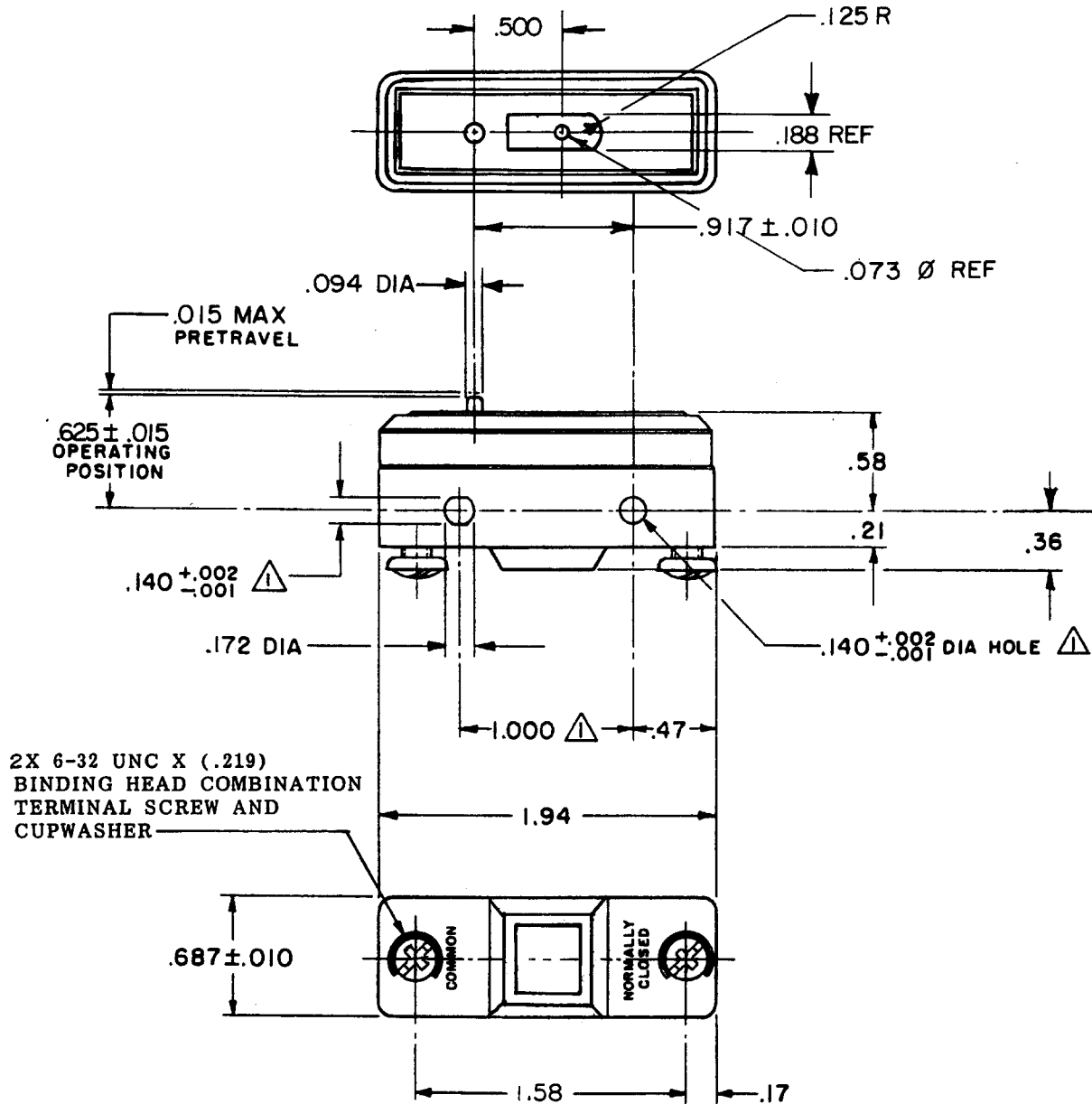
CHECK

CHECK

CHECK

CHECK

CHECK

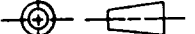


2X 6-32 UNC X (.219)
BINDING HEAD COMBINATION
TERMINAL SCREW AND
CUPWASHER

NOTE
MOUNTING HOLES WILL ACCEPT PINS OR SCREWS OF .139 MAX DIA ON
1.000 ± .002 CENTERS

THIS DRAWING COVERS A PROPRIETARY ITEM AND IS THE PROPERTY OF MICRO SWITCH, A DIVISION OF HONEYWELL. THIS DRAWING IS NOT TO BE COPIED OR USED WITHOUT THE APPROVAL OF MICRO SWITCH.

THIRD ANGLE PROJECTION



CHARACTERISTICS

OPERATING FORCE ----- 7-9 OZ
RELEASE FORCE ----- 4 OZ MIN
DIFFERENTIAL TRAVEL ----- .0005 MAX
OVERTRAVEL ----- .005 MIN

ELECTRICAL DATA

CONTACT ARRANGEMENT
S P N C
L 103
15A 125, 250 OR 480 VAC
1/8 HP 125 VAC, 1/4 HP 250 VAC

SCALE FULL

DO NOT SCALE PRINT

TOLERANCES
APPLY TO DESIGN UNITS. CONVERSIONS ARE ONLY FOR
REFERENCE. UNLESS NOTED, TOLERANCES ARE ±

	DIM. mm	TOL. mm/in	DIM. in	TOL. mm/in
NO PLACES	X	1/.04	X	0.07/03
ONE PLACE	X,X	0.4/.016	X,X	0.38/.015
TWO PLACES	X,XX	0.15/.005	X,XX	0.13/.005
THREE PLACES	X,XXX		X,XXX	
ANGLES				

DESIGN UNITS SI METRIC US CUSTOMARY

WEIGHT .063 LB



REVISIONS

A	CO-73287-J	J A L	22 NOV 93
B	CO-77591	DAW	22 JUN 94
C	CO-79125	SAD	30 NOV 94

FO-52848-A

DRAWN

J A S 10 APR 84 CHECK C E C 11 APRIL 84 CHECK

X-ON Electronics

Largest Supplier of Electrical and Electronic Components

Click to view similar products for [Basic / Snap Action Switches](#) category:

Click to view products by [Honeywell](#) manufacturer:

Other Similar products are found below :

[5SM901-S12](#) [5SM9-S12N195](#) [01.098.1358.1](#) [602EN532](#) [602EN535-RB](#) [602HE5-RB1](#) [604HE162](#) [604HE223-6B](#) [624HE17-RB](#) [6HM82](#)
[6HM89](#) [6SE1](#) [6SX1-H58](#) [70500216](#) [70599106](#) [MBD5B1](#) [MBH2731](#) [73-316-0012](#) [EXD-AR20](#) [79211923](#) [79218589](#) [7AS12](#)
[MIL30126AB6BBMD4A12XAU](#) [ML-1155](#) [ML-1376](#) [831010C3.0](#) [831090C2.EL](#) [83131904](#) [84212012](#) [8AS239](#) [8HM73-3](#) [8SX26-H33](#)
[914CE1-6G](#) [PL-100](#) [11SM1077-H4](#) [11SM1077-H58](#) [11SM1-TN107](#) [11SM405](#) [11SM8423-H2](#) [11SX37-T](#) [11SX48-H58](#) [11SM2442-T](#)
[11SM76-T](#) [11SM77-H58](#) [11SM77-T](#) [11SM863-T](#) [11SM866](#) [A7CN-1M-1-LEFT](#) [A831700C7.0](#) [121EN187-R](#)