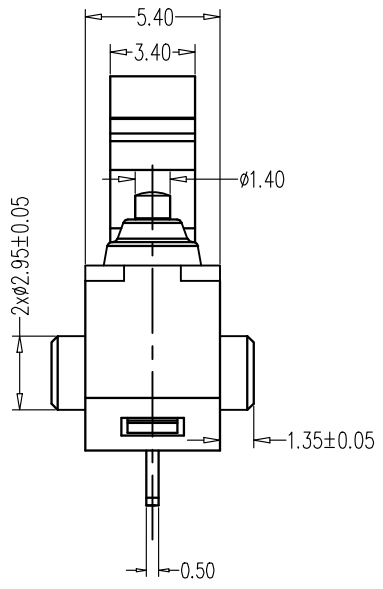
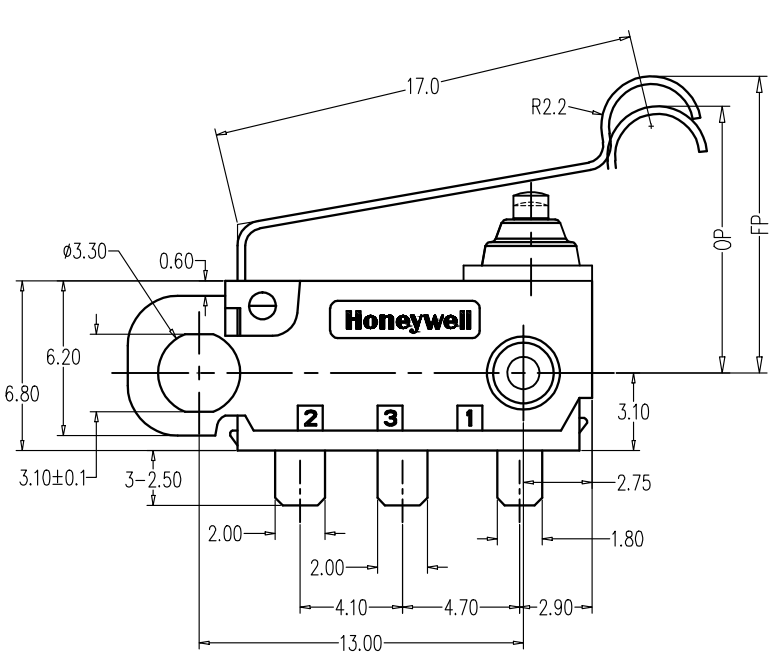


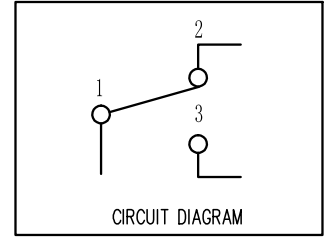
PART NUMBER

REVISION HISTORY					
REV	DOCUMENT	DESCRIPTION	CHGD BY	DATE	APPROVED

PROPOSAL DRAWING



SPECIFICATION	
OPERATING TEMPERATURE	-40°C-85°C
STORAGE CONDITIONS	-10°C-40°C, MAX 85% R.H.
VIBRATION RESISTANCE (PER IEC 60068-2-6)	10-55Hz, DISPLACEMENT 1.5mm (PEAK-PEAK) NO CONTACT SEPARATION > 1 MILLISECOND
SHOCK RESISTANCE (PER IEC 60068-2-27)	DESTRUCTION: 294 m/s ² (30g) MAX. SWITCH IS FUNCTIONAL AFTER TEST
	MALFUNCTION: 100 m/s ² (10g) MAX. NO CONTACT SEPARATION > 1 MILLISECOND
SOLDERING BY HAND	≤5Sec @ 350°C MAX.
SOLDERING BATH	≤5Sec @ 260°C MAX.
CONTACT RESISTANCE (INITIAL)	200 mΩ MAX AS MEASURED USING 4-WIRE VOLTAGE DROP METHOD @ 6VDC & 100mA
DIELECTRIC STRENGTH	BETWEEN OPEN CONTACTS 500 VAC FOR 1 MINUTE, LEAKAGE CURRENT ≤10mA
	1000 VAC FOR 1 MINUTE, LEAKAGE CURRENT ≤10mA BETWEEN LIVE-PARTS AND GROUND BETWEEN LIVE-PARTS AND DEAD METAL PARTS
INSULATION RESISTANCE	MIN. 100MΩ (500VDC-1 MINUTE)
ELECTRICAL ENDURANCE	100,000 CYCLES @ 12 CYCLES/MINUTE MAX.
MECHANICAL ENDURANCE	500,000 CYCLES @ 60 CYCLES/MINUTE MAX.
CONTACT MATERIAL	SILVER ALLOY
TERMINAL FINISH	SILVER PLATED



CHARACTERISTICS	ELECTRICAL DATA	UNLESS OTHERWISE SPECIFIED	THIRD ANGLE PROJECTION	Honeywell					
OPERATING FORCE----- 200gf MAX.	CONTACT ARRANGEMENT S P D T	DIMENSIONS ARE IN MM		TITLE SWITCH - BASIC					
DIFFERENTIAL FORCE-----		DECIMAL TOL. NO PLACE ---		SIZE	CAGE CODE	DWG NO	TYPE	REV	
RELEASE FORCE----- 30 gf MIN.	10mA 12VDC 3A 12VDC 3A 125VAC 40T85 µ IE5	1 PLACE --- ±0.00		PO	-	X214602-HD (HD20S20C07)	I	A	
FREE POSITION-----		2 PLACE --- ±0.40		SCALE	4:1	REF WT.	SHEET	1 of 1	
OPERATING POSITION----- 10.5 ± 0.6MM		3 PLACE --- ±0.20		RELEASE DATE	-	HONEYWELL CONFIDENTIAL			
PRE-TRAVEL----- 3.5 MM MAX.		ANGULAR TOL. - ±Z° CHAMFER -		DRW	-	THIS DOCUMENT CONTAINS PROPRIETARY INFORMATION AND SUCH INFORMATION MAY NOT BE DISCLOSED TO OTHERS FOR ANY PURPOSE, NOR USED FOR MANUFACTURING PURPOSES WITHOUT WRITTEN PERMISSION FROM HONEYWELL			
DIFFERENTIAL TRAVEL----- 0.6 MM MAX.	MATERIAL	RDE	-						
OVERTRAVEL----- 1.8 MM MAX.	FINISH	QA	-						
FULL OVERTRAVEL FORCE-----	APPLICABLE DOCUMENTS:	CHK	-						
	COMPUTER GENERATED DRAWING: PRO/ENGINEER								

X-ON Electronics

Largest Supplier of Electrical and Electronic Components

Click to view similar products for [Basic / Snap Action Switches](#) category:

Click to view products by [Honeywell](#) manufacturer:

Other Similar products are found below :

[5SM901-S12](#) [5SM9-S12N195](#) [602EN532](#) [602EN535-RB](#) [602HE5-RB1](#) [604HE162](#) [604HE223-6B](#) [624HE17-RB](#) [6HM82](#) [6HM89](#) [6SE1](#)
[6SX1-H58](#) [70500216](#) [70599106](#) [71051](#) [MBH2731](#) [79211923](#) [79218589](#) [7AS12](#) [MIL30126AB6BBMD4A12XAU](#) [ML-1155](#) [ML-1376](#)
[831010C3.0](#) [831090C2.EL](#) [83131904](#) [84212012](#) [8AS239](#) [8HM73-3](#) [8SX26-H33](#) [914CE1-6G](#) [PL-100](#) [11SM1077-H4](#) [11SM1077-H58](#)
[11SM1-TN107](#) [11SM405](#) [11SM8423-H2](#) [11SX37-T](#) [11SX48-H58](#) [11SM2442-T](#) [11SM76-T](#) [11SM77-H58](#) [11SM863-T](#) [11SM866](#) [A7CN-](#)
[1M-1-LEFT](#) [A831700C7.0](#) [121EN188-R](#) [1245.0120](#) [125EN56-RB](#) [1267.0101](#) [1267.7101](#)